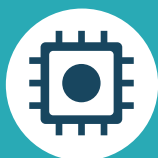




捷波資訊股份有限公司
JETWAY INFORMATION CO., LTD.

2023

Industrial Product Selection Guide





捷波資訊股份有限公司
JETWAY INFORMATION CO., LTD.

Introduction



Genuine and Trusty, Professional Jetway

Jetway Information Co., Ltd. was established in Taipei, Taiwan 1986, is a world-leading innovator and manufacturer, by providing wide-range PC peripheral solutions and services to meet customers' needs.

Jetway entered the Industrial PC market in 2005 by developing Single-Board Computers and non-PC platforms with our expertise, Jetway has built a well-known reputation at IPC markets. Jetway IPC solution products has been successfully phased-in to several applications: points of sales (POS), Kiosk and Digital signage, Surveillance system, Industrial Automation, Health Care Terminals, Gaming and Amusement Industrial, Residential control, Transportation, Military, In-Car System, Tele- Communication, Banking/ATM, Storage...etc.



Dedicated in Perfection, and Creative Jetway!

More than 100 highly qualified engineers support with our experienced sales teams, global business units and partners to create solutions that meet our customer's application demand, Jetway's product longevity, professional engineering, fast support, and value-added services, helps create a sustainable and viable embedded solution for OEMs and system integrators.

Jetway offers comprehensive system integration, hardware, software, customer-centric design services, and global logistics support. Jetway's mission is to offer you an accelerated time-to-market, reduced total-cost-of-ownership and an improved overall application with leading-edge, highly-reliable embedded technology.



"Stay modest, keep moving on."

We emphasize value, quality and service. Starting from the design stage, we focus on the value that can be integrated into products. You will always find Jetway products delivering high performance, rich features, and good cost structure. Quality cannot be more over-emphasized more in Jetway. It begins from the design phase. All the processes care consistence and Service is the number one priority in Jetway. It is a package of various supports that we offer to our partners. It includes in-time market information, product update, prompt delivery, flexible production, quick time-to-market cycle, fast RMA and warranty, local warehouse, convenient on-site service, and around the clock technical support.

Form Factor	Mini ITX			
Category	Elkhart Lake	Elkhart Lake	Elkhart Lake	Elkhart Lake
Model	MI05 Series	MI05K Series	JLI1BV-00	JLI1BV-0L
Dimension	170 x 170 mm	170 x 170 mm	170 x 170 mm	170 x 170 mm
Chipset	SoC	SoC	SoC	SoC
Processor	Intel Elkhart Lake J6412	Intel Elkhart Lake J6412	Intel Elkhart Lake J6412	Intel Elkhart Lake J6412
Memory	1* DDR4 3200MHz Daul CH SODIMM up to 32GB	1* DDR4 3200MHz Daul CH SODIMM up to 32GB	1* DDR4 3200MHz Daul CH SODIMM up to 32GB	1* DDR4 3200MHz Daul CH SODIMM up to 32GB
Integrated Graphics	Intel UHD	Intel UHD	Intel UHD	Intel UHD
SATA	1 SATAIII	1 SATAIII	1 SATAIII	1 SATAIII
eMMC	32GB (option)	32GB (option)	No	No
mSATA	No	No	No	No
Mini PCIe	No	No	No	No
M.2	1 (M-Key 2242) 1 (E-Key 2230) 1 (B-Key 3042)	1 (M-Key 2242) 1 (E-Key 2230) 1 (B-Key 3042)	1 (M-Key 2242/2280) 1 (E-Key 2230) 1 (B-Key 3042/3052)	1 (M-Key 2242/2280) 1 (E-Key 2230) 1 (B-Key 3042/3052)
SIM Card Holder	1 INT	1 INT	1 INT	1 INT
Audio	No	No	Realtek ALC888S W/3W Amplifier	Realtek ALC888S W/3W Amplifier
Ethernet	6* Intel i225V 2.5GbE	6* Intel i225V 2.5GbE	1* Intel i225V 2.5GbE	2* Intel i225V 2.5GbE
USB	1 Rear USB 3.1 (Gen.2) 1 Rear USB 2.0 2 INT USB 2.0	1 Rear USB 3.1 (Gen.2) 1 Rear USB 2.0 2 INT USB 2.0	2 Rear USB 3.1 (Gen.2) 4 Rear USB 2.0 3 INT USB 2.0	2 Rear USB 3.1 (Gen.2) 2 Rear USB 2.0 5 INT USB 2.0
COM	1 Rear RS232 (RJ45 Type) 1 INT RS232/422/485 2 INT RS232	1 Rear RS232 (RJ45 Type) 1 INT RS232/422/485 2 INT RS232	2 INT RS232/422/485 4 INT RS232	2 INT RS232/422/485 4 INT RS232
RJ11	No	No	No	No
Parallel	No	No	No	No
HDMI	1 INT	1 INT	1 Rear (option)	1 Rear (option)
VGA	No	No	1 Rear	1 Rear
DVI	No	No	No	No
DisplayPort	No	No	No	No
LVDS / eDP	No	No	1* 24 Bit Dual CH LVDS (selectable W/eDP2) 1* eDP	1* 24 Bit Dual CH LVDS (selectable W/eDP2) 1* eDP
Multiple Display	No	No	Triple	Triple
PS/2	1 INT	1 INT	No	No
Expansion Slot	No	1* PCIe x1 (Sideway)	No	No
TPM	TPM2.0 onboard option	TPM2.0 onboard option	TPM2.0 onboard option	TPM2.0 onboard option
SMBus	Yes	Yes	Yes	Yes
GPIO	8-bit	8-bit	8-bit	8-bit
Power	12V DC-in jack	12V DC-in jack	12V DC-in jack	12V DC-in jack
AT Mode	Yes	Yes	Yes	Yes
Page	29	30	31	32

Form Factor	Mini ITX			
Category	Gemini Lake	Gemini Lake	Apollo Lake	Apollo Lake
Model	JLI1S-50	JLI1S-5L	MI12-00C	MI12-00L
Dimension	170 x 170 mm	170 x 170 mm	170 x 170 mm	170 x 170 mm
Chipset	SoC	SoC	SoC	SoC
Processor	Intel Gemini Lake J4125	Intel Gemini Lake J4125	Intel Apollo Lake J3455	Intel Apollo Lake J3455
Memory	1* DDR4 2400MHz Dual CH SODIMM up to 8GB	1* DDR4 2400MHz Dual CH SODIMM up to 8GB	1* DDR3L 1866MHz SODIMM up to 8GB	1* DDR3L 1866MHz SODIMM up to 8GB
Integrated Graphics	Intel® UHD Graphics 600	Intel® UHD Graphics 600	Intel® HD Graphics 500	Intel® HD Graphics 500
SATA	1 SATAIII	1 SATAIII	1 SATAIII	1 SATAIII
eMMC	No	No	32GB (option)	32GB (option)
mSATA	No	No	No	No
Mini PCIe	No	No	1 Full Size	1 Full Size
M.2	1 (M-Key 2242/2280) 1 (E-Key 2230)	1 (M-Key 2242/2280) 1 (E-Key 2230)	1 (M-Key 2242/2260)	1 (M-Key 2242/2260)
SIM Card Holder	No	No	1 INT	1 INT
Audio	Realtek ALC888S W/3W Amplifier	Realtek ALC888S W/3W Amplifier	C-Media HS-100B USB chip	C-Media HS-100B USB chip
Ethernet	1* Realtek RTL8119I GbE	2* Realtek RTL8119I GbE	2* Realtek RTL8111H GbE	1* Realtek RTL8111H GbE
USB	2 Rear USB 3.0 2 Rear USB 2.0 3 INT USB 2.0	2 Rear USB 3.0 2 Rear USB 2.0 3 INT USB 2.0	4 Rear USB 3.0 5 INT USB 2.0	4 Rear USB 3.0 2 INT USB 2.0
COM	1 Rear RS232 2 INT RS232/485 3 INT RS232	1 Rear RS232 2 INT RS232/485 3 INT RS232	1 INT RS232/422/485 5 INT RS232 (COM1~3 5V/12V)	2 INT RS232 (COM1~2 5V/12V)
RJ11	No	No	No	No
Parallel	No	No	No	No
HDMI	1 Rear (Co-lay VGA)	1 Rear (Co-lay VGA)	2 Rear	2 Rear
VGA	1 INT (option)	1 INT (option)	No	No
DVI	No	No	No	No
DisplayPort	No	No	No	No
LVDS / eDP	1* 24 Bit Dual CH LVDS (selectable W/eDP1) 1* eDP	1* 24 Bit Dual CH LVDS (selectable W/eDP1) 1* eDP	1* 24 Bit Dual CH LVDS (selectable W/eDP)	1* 24 Bit Dual CH LVDS (selectable W/eDP)
Multiple Display	Triple	Triple	Triple	Triple
PS/2	1 INT	1 INT	1 INT	1 INT
Expansion Slot	No	No	No	No
TPM	No	No	TPM2.0 onboard option	TPM2.0 onboard option
SMBus	Yes	Yes	Yes	Yes
GPIO	8-bit	8-bit	8-bit	8-bit
Power	12V DC-in jack	12V DC-in jack	12V DC-in jack	12V DC-in jack
AT Mode	Yes	Yes	Yes	Yes
Page	33	34	35	36

Form Factor	Mini ITX			
Category	Apollo Lake	Apollo Lake	Apollo Lake	Apollo Lake
Model	MI12-00V	JNF894V-3455	JNF894V32-3455	JNF692S6-345
Dimension	170 x 170 mm	170 x 170 mm	170 x 170 mm	170 x 170 mm
Chipset	SoC	SoC	SoC	SoC
Processor	Intel Apollo Lake J3455	Intel Apollo Lake J3455	Intel Apollo Lake J3455	Intel Apollo Lake J3455
Memory	1* DDR3L 1866MHz SODIMM up to 8GB	2* DDR3L 1866MHz SODIMM up to 8GB	2* DDR3L 1866MHz SODIMM up to 8GB	1* DDR3L 1866MHz SODIMM up to 8GB
Integrated Graphics	Intel® HD Graphics 500	Intel® HD Graphics 500	Intel® HD Graphics 500	Intel® HD Graphics 500
SATA	1 SATAIII	1 SATAIII	1 SATAIII	1 SATAIII
eMMC	32GB (option)	No	32GB	32GB (option)
mSATA	No	No	No	1 Full Size
Mini PCIe	1 Full Size	1 Full Size	1 Full Size	1 Full Size
M.2	1 (M-Key 2242/2260, SATA interface)	1 (M-Key 2242/2280)	1 (M-Key 2242/2280)	No
SIM Card Holder	1 INT	1 INT	1 INT	1 INT
Audio	C-Media HS-100B USB Chip	2* Intel i225V 2.5GbE	Realtek ALC888S	No
Ethernet	2* Realtek RTL8111H GbE	2* Realtek RTL8111H GbE	2* Intel i225V 2.5GbE	6* Intel i211AT GbE (JNF692S6-345B1 with 1 pair ByPass LAN)
USB	4 EXT USB 3.0 5 INT USB 2.0	4 Rear USB 3.0 3 INT USB 2.0	4 Rear USB 3.0 3 INT USB 2.0	2 Rear USB 3.0 2 INT USB 2.0
COM	1 INT RS232/422/485 9 INT RS232 (COM1~3 5V/12V)	1 INT RS232/422/485 5 INT RS232	1 INT RS232/422/485 5 INT RS232	1 Rear RS232 (RJ45 Type) 1 INT RS232/422/485 2 INT RS232
RJ11	No	No	No	No
Parallel	No	No	No	No
HDMI	1 Rear	2 Rear	2 Rear	1 EXT
VGA	1 Rear	No	No	No
DVI	No	No	No	No
DisplayPort	No	1 Rear (Co-lay HDMI)	1 Rear (Co-lay HDMI)	No
LVDS / eDP	1* 24 Bit Dual CH LVDS (selectable W/eDP)	1* 24 Bit Dual CH LVDS (selectable W/eDP)	1* 24 Bit Dual CH LVDS (selectable W/eDP)	No
Multiple Display	Triple	Triple	Triple	No
PS/2	1 INT	1 INT	1 INT	1 INT
Expansion Slot	No	1* PCIe x1	1* PCIe x1	1* PCIe x1 (Sideway)
TPM	TPM2.0 onboard option	TPM2.0 onboard option	TPM2.0 onboard option	TPM2.0 onboard option
SMBus	Yes	Yes	Yes	Yes
GPIO	8-bit	8-bit	8-bit	8-bit
Power	12V DC-in jack	9V~36V DC-in jack	9V~36V DC-in jack	12V 2-pin header
AT Mode	Yes	Yes	Yes	Yes
Page	37	38	39	40

Form Factor	Mini ITX			
Category	Braswell	Braswell	Bay Trail	Bay Trail
Model	JNF792R-3160	JNF596-3160	MI97R Series	NF9U-2930
Dimension	170 x 170 mm	170 x 170 mm	170 x 170 mm	170 x 170 mm
Chipset	SoC	SoC	SoC	SoC
Processor	Intel Braswell N3160	Intel Braswell N3160	Intel Bay Taril N2930	Intel Bay Taril N2930
Memory	2* DDR3L 1600MHz SODIMM up to 8GB	1* DDR3L 1600MHz SODIMM up to 8GB	1* DDR3L1333MHz SODIMM up to 8GB	1* DDR3L 1333MHz SODIMM up to 8GB
Integrated Graphics	Intel GFX	Intel GFX	Intel GFX	Intel GFX
SATA	1 SATAIII	1 SATAIII	1 SATAII	2 SATAII (1 share W/mSATA)
eMMC	No	No	No	No
mSATA	No	1 Full Size	No	1 Full Size (shared SATA2)
Mini PCIe	1 Full Size	1 Full Size	No	1 Half size
M.2	1 (M-key 2242/2260)	No	1 (M-key 2242/2280) 1 (E Key 2230) 1 (B-Key 3042)	No
SIM Card Holder	1 INT	1 INT	1 INT	No
Audio	Realtek ALC888S	Realtek ALC888S	Realtek ALC662 W/3W Amplifier	Realtek ALC888S W/3W Amplifier
Ethernet	2* Realtek RTL8119I GbE	2* Realtek RTL8111H GbE	1* Realtek RTL8119I GbE	2* Realtek RTL8111H GbE
USB	3 Rear USB 3.0 1 Rear USB 2.0 4 INT USB 2.0	4 Rear USB 3.0 3 INT USB 2.0	1 EXT USB 3.0 3 EXT USB 2.0 4 INT USB 2.0	1 Raer USB 3.0 3 Rear USB 2.0 4 INT USB 2.0
COM	1 Rear RS232, 1 Rear RS232/422/485 2 INT RS232 (5V/12V)	1 Rear RS232, 1 Rear RS232/422/485 4 INT RS232 (5V/12V)	1 Rear RS232/422/485 1 Rear RS232 3 INT RS232 (5V/12V)	1 Rear RS232/422/485 5 INT RS232 (5V/12V)
RJ11	No	No	No	1 Rear
Parallel	1 Rear	No	1 Rear	1 Rear
HDMI	1 Rear	1 Rear	1 Rear	1 Rear
VGA	1 Rear	No	1 Rear	1 Rear
DVI	No	1 Rear DVI-D	No	No
DisplayPort	No	No	No	No
LVDS / eDP	1* 24 Bit Dual CH LVDS (co-lay eDP)	1* 24 Bit Dual CH LVDS	1* 24 Bit Dual CH LVDS (co-lay eDP)	1* 24 Bit Dual CH LVDS
Multiple Display	Triple	Triple	Dual	Dual
PS/2	1 INT	1 INT	1 Rear	1 Rear
Expansion Slot	1* PCI	1* PCIe x1	1* PCIe x1	1* PCIe x1
TPM	TPM2.0 onboard option	No	TPM2.0 onboard option	TPM2.0 onboard option
SMBus	Yes	Yes	Yes	Yes
GPIO	8-bit	8-bit	8-bit	8-bit
Power	24pin ATX	12V DC-in jack	12V DC-in jack	9V~24V DC-in jack
AT Mode	Yes	Yes	Yes	Yes
Page	41	42	43	44

Form Factor	Mini ITX			
Category	Bay Trail	Bay Trail	Bay Trail	Bay Trail
Model	NF9M-2930	NF9HG-2930	NF9HB-2930	IMB-1900-2L
Dimension	170 x 170 mm	170 x 170 mm	170 x 170 mm	170 x 170 mm
Chipset	SoC	SoC	SoC	SoC
Processor	Intel Bay Taril N2930	Intel Bay Taril N2930	Intel Bay Taril N2930	Intel Bay Taril J1900
Memory	2* DDR3L 1333MHz SODIMM up to 8GB	2* DDR3L 1066/1333MHz SODIMM up to 8GB	2* DDR3L 1066/1333MHz SODIMM up to 8GB	1* DDR3L 800/1066/1333MHz SODIMM up to 8GB
Integrated Graphics	Intel GFX	Intel GFX	Intel GFX	Intel GFX
SATA	2 SATAII (1 share W/mSATA)	2 SATAII (1 share W/mSATA)	2 SATAII (1 share W/mSATA)	1 SATAII
eMMC	No	No	No	No
mSATA	1 Full Size (Shared SATA2)	1 Full Size (Shared SATA2)	1 Full Size (shared SATA2)	No
Mini PCIe	1 Full Size	1 Full Size	1 Full Size	1 Full Size
M.2	No	No	No	1 (M-Key 2242/2260, SATA interface)
SIM Card Holder	No	1 INT	1 INT	1 INT
Audio	Realtek ALC888S	No	No	Realtek ALC888S W/3W Amplifier
Ethernet	1* Realtek RTL8111H GbE	4* Intel i211AT GbE	4* Intel i211AT GbE (Two for LAN ByPass)	2* Realtek RTL8111H GbE
USB	1 Rear USB 3.0, 3 Rear USB 2.0 2 INT USB 3.0, 2 INT USB 2.0	1 Rear USB 3.0 1 Rear USB 2.0 4 INT USB 2.0	1 Rear USB 3.0 1 Rear USB 2.0 4 INT USB 2.0	1 Rear USB 3.0 3 Rear USB 2.0 6 INT USB 2.0
COM	1 Rear RS232/422/485 3 INT RS232 (5V/12V)	1 Rear RS232 1 INT RS232 (5V/12V)	1 Rear RS232 1 INT RS232 (5V/12V)	2 INT RS232/422/485 10 INT RS232
RJ11	No	No	No	No
Parallel	1 INT	No	No	1 INT
HDMI	No	No	No	1 INT
VGA	No	1 INT	1 INT	1 Rear
DVI	1 Rear DVI-I	No	No	No
DisplayPort	No	No	No	No
LVDS / eDP	1* 24 Bit Dual CH LVDS	No	No	1* 24 Bit Dual CH LVDS
Multiple Display	Dual	No	No	Dual
PS/2	1 INT	1 INT	1 INT	1 INT
Expansion Slot	1* PCIe x1	1* PCIe x1 (Vertical or sideways)	1* PCIe x1 (Vertical or sideways)	No
TPM	No	TPM2.0 onboard option	TPM2.0 onboard option	No
SMBus	Yes	Yes	Yes	No
GPIO	8-bit	8-bit	8-bit	8-bit
Power	9V~36V DC-in jack	12V DC-in jack	12V DC-in jack	12V DC-in jack
AT Mode	Yes	Yes	Yes	Yes
Page	45	46	47	48

Form Factor	Mini ITX			
Category	Bay Trail	Bay Trail	Bay Trail	Bay Trail
Model	NLBT-I1900	NLBT-I1900-2L	JLI1N-00	JLI1N-0L
Dimension	170 x 170 mm	170 x 170 mm	170 x 170 mm	170 x 170 mm
Chipset	SoC	SoC	SoC	SoC
Processor	Intel Bay Taril J1900	Intel Bay Taril J1900	Intel Bay Taril J1900	Intel Bay Taril J1900
Memory	1* DDR3L 800/1066/1333MHz SODIMM up to 8GB	1* DDR3L 800/1066/1333MHz SODIMM up to 8GB	1* DDR3L 1066/1333MHz SODIMM up to 8GB	1* DDR3L 1066/1333MHz SODIMM up to 8GB
Integrated Graphics	Intel GFX	Intel GFX	Intel GFX	Intel GFX
SATA	1 SATAII	1 SATAII	1 SATAII	1 SATAII
eMMC	No	No	No	No
mSATA	1 Full Size	1 Full Size	No	No
Mini PCIe	1 Full Size	1 Full Size	1 Full Size	1 Full Size
M.2	No	No	1 (M-Key 2242/2280, SATA interface)	1 Full Size 1 (M-Key 2242/2280, SATA interface)
SIM Card Holder	No	No	1 INT	1 INT
Audio	Realtek ALC888S W/3W Amplifier	Realtek ALC888S W/3W Amplifier	C-Media HS-100B USB Chip W/3W Amplifier	C-Media HS-100B USB Chip W/3W Amplifier
Ethernet	1* Realtek RTL8111H GbE	2* Realtek RTL8111H GbE	1* Realtek RTL8119I GbE	2* Realtek RTL8119I GbE
USB	1 Rear USB 3.0 3 Rear USB 2.0 2 INT USB 2.0	1 Rear USB 3.0 3 Rear USB 2.0 2 INT USB 2.0	1 Rear USB 3.0 3 Rear USB 2.0 4 INT USB 2.0	1 Rear USB 3.0 3 Rear USB 2.0 4 INT USB 2.0
COM	1 Rear RS232 1 INT RS232/422/485 4 INT RS232	1 Rear RS232 1 INT RS232/422/485 4 INT RS232	1 Rear RS232 1 INT RS232/422/485 4 INT RS232	1 Rear RS232 1 INT RS232/422/485 4 INT RS232
RJ11	No	No	No	No
Parallel	1 INT	1 Rear	1 INT	1 Rear
HDMI	1 INT	1 INT	No	No
VGA	1 Rear or INT (same signal)	1 Rear or INT (same signal)	1 Rear	1 Rear
DVI	No	No	No	No
DisplayPort	No	No	No	No
LVDS / eDP	1* 24 Bit Dual CH LVDS	1* 24 Bit Dual CH LVDS	1* 24 Bit Dual CH LVDS	1* 24 Bit Dual CH LVDS
Multiple Display	Dual	Dual	Dual	Dual
PS/2	1 INT	1 INT	1 INT	1 INT
Expansion Slot	1* PCIe x1	1* PCIe x1	1* PCIe x1	1* PCIe x1
TPM	No	No	No	No
SMBus	No	No	No	No
GPIO	8-bit	8-bit	8-bit	8-bit
Power	12V DC-in jack	12V DC-in jack	12V DC-in jack	12V DC-in jack
AT Mode	No	No	Yes	Yes
Page	49	50	51	52

Form Factor	Mini ITX			
Category	12/13th Alder Lake-S/Raptor Lake	12/13th Alder Lake-S/Raptor Lake	12/13th Alder Lake-S/Raptor Lake	12/13th Alder Lake-S/Raptor Lake
Model	MI215H6100 Series	MI215Q6700 Series	MI215R6800 Series	MI225H6100 Series
Dimension	170 x 170mm	170 x 170mm	170 x 170mm	170 x 170mm
Chipset	Intel H610/H610E	Intel Q670E	Intel R680E	Intel H610/H610E
Processor	LGA1700 socket 12th/13th Gen Processor	LGA1700 socket 12th/13th Gen Processor	LGA1700 socket 12th/13th Gen Processor	LGA1700 socket 12th/13th Gen Processor
Memory	2* DDR4 3200MHz Dual CH SODIMM up to 64GB	2* DDR4 3200MHz Dual CH SODIMM up to 64GB	2* DDR4 3200MHz Dual CH SODIMM up to 64GB (W/ ECC)	2* DDR4 3200MHz Dual CH SODIMM up to 64GB
Integrated Graphics	Intel GFX	Intel GFX	Intel GFX	Intel GFX
SATA	2* SATAIII support RAID 0,1	1* SATAIII support RAID 0,1	1 SATAIII support RAID 0,1	4 SATAIII
eMMC	No	No	No	No
mSATA	No	No	No	No
Mini PCIe	No	No	No	No
M.2	1 (M-Key 2242/2280) 1 (E-Key 2230) 1 (B-Key 3042/3052)	1 (M-Key 2242/2280), 1 (M-Key 2242), 1 (E-Key 2230), 1 (B-Key 3042/3052)	1 (M-Key 2242/2280), 1 (M-Key 2242), 1 (E-Key 2230), 1 (B-Key 3042/3052)	1 (M-Key 2242/2280) 1 (E-Key 2230) 1 (B-Key 3042)
SIM Card Holder	1 INT	1 INT	1 INT	1 INT
Audio	Realtek ALC888S	Realtek ALC888S	Realtek ALC888S	Realtek ALC888S
Ethernet	2* Intel i226V 2.5GbE	1* Intel i226V 2.5GbE 1* Intel i226LM 2.5GbE	1* Intel i226V 2.5GbE 1* Intel i226LM 2.5GbE	1* Intel i226V 2.5GbE 1* Intel i219V GbE
USB	1 Rear USB 3.2 (Gen.2), 2 Rear USB 3.2 (Gen.1) 1 Rear USB 2.0, 4 INT USB 2.0	4 Rear USB 3.2 (Gen.2) 2 INT USB 3.2 (Gen.1) 4 INT USB 2.0	4 Rear USB 3.2 (Gen.2) 2 INT USB 3.2 (Gen.1) 4 INT USB 2.0	2 Rear USB 3.2 (Gen.2), 2 Rear USB 3.2 (Gen.1), 2 Rear USB 2.0, 3 INT USB 2.0
COM	2 INT RS232/422/485 4 INT RS232	2 INT RS232/422/485 4 INT RS232	2 INT RS232/422/485 4 INT RS232	1 Rear RS232/422/485 1 Rear RS232 4 INT RS232
RJ11	No	No	No	No
Parallel	No	No	No	No
HDMI	2 Rear	2 Rear	2 Rear	1 Rear
VGA	No	No	No	1 Rear
DVI	No	No	No	No
DisplayPort	2 Rear	2 Rear	2 Rear	1 Rear
LVDS / eDP	1* 24 Bit Dual CH LVDS (Co-lay eDP)	1* 24 Bit Dual CH LVDS (Co-lay eDP)	1* 24 Bit Dual CH LVDS (Co-lay eDP)	1* 24 Bit Dual CH LVDS (Co-lay eDP)
Multiple Display	Triple	Quad	Quad	Triple
PS/2	No	No	No	1 INT
Expansion Slot	1* PCIe x16 (PCIe Gen.4)	1* PCIe x16 (PCIe Gen.4)	1* PCIe x16 (PCIe Gen.4)	1* PCIe x16 (PCIe Gen.4)
TPM	TPM2.0 onboard option	TPM2.0 onboard option	TPM2.0 onboard option	TPM2.0 onboard option
SMBus	Yes	Yes	Yes	Yes
GPIO	8-bit	8-bit	8-bit	8-bit
Power	12V~28V DC-in jack	12V~28V DC-in jack	12V~28V DC-in jack	24pin ATX + 4pin 12V
AT Mode	Yes	Yes	Yes	Yes
Page	53	54	55	56

Form Factor	Mini ITX			
Category	12/13th Alder Lake-S/Raptor Lake	12/13th Alder Lake-S/Raptor Lake	12/13th Alder Lake-S/Raptor Lake	12/13th Alder Lake-S/Raptor Lake
Model	MI225Q6700 Series	MI225R6800 Series	MI23-H6100	MI23-Q6700
Dimension	170 x 170mm	170 x 170mm	170 x 170mm	170 x 170mm
Chipset	Intel Q670E	Intel R680E	Intel H610/H610E	Intel Q670E
Processor	LGA1700 socket 12th/13th Gen Processor	LGA1700 socket 12th/13th Gen Processor	LGA1700 socket 12th/13th Gen Processor	LGA1700 socket 12th/13th Gen Processor
Memory	2* DDR4 3200MHz Dual CH SODIMM up to 64GB	2* DDR4 3200MHz Dual CH SODIMM up to 64GB (W/ ECC)	2* DDR4 3200MHz Dual CH SODIMM up to 64GB	2* DDR4 3200MHz Dual CH SODIMM up to 64GB
Integrated Graphics	Intel GFX	Intel GFX	Intel GFX	Intel GFX
SATA	4 SATAIII support RAID 0,1,5,10	4 SATAIII support RAID 0,1,5,10	4 SATAIII	4 SATAIII support RAID 0,1,5,10
eMMC	No	No	No	No
mSATA	No	No	No	No
Mini PCIe	No	No	No	No
M.2	1 (M-Key 2280), 1 (M-Key 2242), 1 (E-Key 2230), 1 (B-key 3042)	1 (M-Key 2280), 1 (M-Key 2242), 1 (E-Key 2230), 1 (B-key 3042)	1 (M-Key 2242), 1 (E-Key 2230), 1 (B-key 3042)	1 (M-Key 2280), 1 (M-Key 2242/2280), 1 (E-Key 2230), 1 (B-key 3042)
SIM Card Holder	1 INT	1 INT	1 INT	1 INT
Audio	Realtek ALC888S	Realtek ALC888S	No	No
Ethernet	1* Intel i226V 2.5GbE 1* Intel i219LM GbE	1* Intel i226V 2.5GbE 1* Intel i219LM GbE	5* Intel i226V 2.5GbE 1* Intel i226LM GbE	7* Intel i226V 2.5GbE 1* Intel i226LM GbE
USB	6 Rear USB 3.2 (Gen.2) 2 Rear USB 3.2 (Gen.1) 3 INT USB 2.0	6 Rear USB 3.2 (Gen.2) 2 Rear USB 3.2 (Gen.1) 3 INT USB 2.0	2 EXT USB 3.2 (Gen.2), 1 EXT USB 3.2 (Gen.1), 1 EXT USB 2.0, 4 INT USB 2.0	2 EXT USB 3.2 (Gen.2) 2 EXT USB 3.2 (Gen.1) 4 INT USB 2.0
COM	1 Rear RS232/422/485 1 Rear RS232 4 INT RS232	1 Rear RS232/422/485 1 Rear RS232 4 INT RS232	1 EXT RS232 (RJ45 type) 2 INT RS232	1 EXT RS232 (RJ45 type) 2 INT RS232
RJ11	No	No	No	No
Parallel	No	No	No	No
HDMI	1 Rear	1 Rear	1 INT	1 INT
VGA	1 Rear	1 Rear	No	No
DVI	No	No	No	No
DisplayPort	1 Rear	1 Rear	No	No
LVDS / eDP	1* 24 Bit Dual CH LVDS (Co-lay eDP)	1* 24 Bit Dual CH LVDS (Co-lay eDP)	No	No
Multiple Display	Quad	Quad	No	No
PS/2	1 INT	1 INT	1 INT	1 INT
Expansion Slot	1* PCIe x16 (PCIe Gen.4)	1* PCIe x16 (PCIe Gen.4)	No	1* PCIe Gen.4 x4 (Sideway)
TPM	TPM2.0 onboard option	TPM2.0 onboard option	TPM2.0 onboard option	TPM2.0 onboard option
SMBus	Yes	Yes	Yes	Yes
GPIO	8-bit	8-bit	8-bit	8-bit
Power	24pin ATX + 4pin 12V	24pin ATX + 4pin 12V	24pin ATX + 4pin 12V	24pin ATX + 4pin 12V
AT Mode	Yes	Yes	Yes	Yes
Page	57	58	59	60

Form Factor	Mini ITX			
Category	12/13th Alder Lake-S/Raptor Lake	12/13th Alder Lake-S/Raptor Lake	12/13th Alder Lake-S/Raptor Lake	10/11th Comet Lake-S/Rocket Lake-S
Model	MI23-R6800	LI25-H6100	LI25-H6100L	LI22-Q470E
Dimension	170 x 170mm	170 x 170mm	170 x 170mm	170 x 170mm
Chipset	Intel R680E	Intel H610/H610E	Intel H610/H610E	Intel Q470E
Processor	LGA1700 socket 12th/13th Gen Processor	LGA1700 socket 12th/13th Gen Processor	LGA1700 socket 12th/13th Gen Processor	LGA1200 socket 10th/11th Gen Processor
Memory	2* DDR4 3200MHz Dual CH SODIMM up to 64GB (W/ ECC)	2* DDR4 3200MHz Dual CH SODIMM up to 64GB	2* DDR4 3200MHz Dual CH SODIMM up to 64GB	2* DDR4 2933/2666MHz SODIMM up to 64GB
Integrated Graphics	Intel GFX	Intel GFX	Intel GFX	Intel GFX
SATA	4 SATAIII support RAID 0,1,5,10	2 SATAIII	2 SATAIII	4 SATAIII support RAID 0,1,5,10
eMMC	No	No	No	No
mSATA	No	No	No	No
Mini PCIe	No	No	No	No
M.2	1 (M-Key 2280), 1 (M-Key 2242/2280), 1 (E-Key 2230), 1 (B-key 3042)	1 (M-Key 2242/2280), 1 (E-Key 2230)	1 (M-Key 2242/2280), 1 (E-Key 2230)	1 (M-Key 2242/2280), 1 (E-Key 2230)
SIM Card Holder	1 INT	No	No	No
Audio	No	Realtek ALC897	Realtek ALC897	Realtek ALC888S
Ethernet	7* Intel i226V 2.5GbE 1* Intel i226LM GbE	1* Realtek RTL8111H GbE	2* Realtek RTL8111H GbE	1* Intel i225V 2.5GbE 1* Intel i219LM GbE
USB	2 EXT USB 3.2 (Gen.2) 2 EXT USB 3.2 (Gen.1) 4 INT USB 2.0	2 Rear USB 3.2 (Gen.2), 2 Rear USB 2.0, 2 INT USB 3.2 (Gen.1), 3 INT USB 2.0	2 Rear USB 3.2 (Gen.2) 2 INT USB 3.2 (Gen.1) 5 INT USB 2.0	6 Rear USB 3.2 (Gen.1), 4 INT USB 3.2 (Gen.1), 3 INT USB 2.0
COM	1 EXT RS232 (RJ45 type) 2 INT RS232	No	2 INT RS232/422/485 4 INT RS232	2 Rear RS232/422/485 4 INT RS232
RJ11	No	No	No	No
Parallel	No	No	No	No
HDMI	1 INT	1 Rear	1 Rear	1 Rear
VGA	No	No	No	1 Rear
DVI	No	No	No	No
DisplayPort	No	1 Rear	1 Rear	1 Rear
LVDS / eDP	No	1* 24 Bit Dual CH LVDS (or eDP)	1* 24 Bit Dual CH LVDS (or eDP)	1* 24 Bit Dual CH LVDS (Option eDP)
Multiple Display	No	Triple	Triple	Triple
PS/2	1 INT	No	No	1 INT
Expansion Slot	1* PCIe Gen.4 x4 (Sideway)	No	No	1* PCIe x16
TPM	TPM2.0 onboard option	TPM2.0 onboard option	TPM2.0 onboard option	TPM2.0 onboard option
SMBus	Yes	Yes	Yes	Yes
GPIO	8-bit	8-bit	8-bit	8-bit
Power	24pin ATX + 4pin 12V	19V DC-in jack	19V DC-in jack	24pin ATX + 4pin 12V
AT Mode	Yes	Yes	Yes	Yes
Page	61	62	63	64

Form Factor	Mini ITX			
Category	10/11th Comet Lake-S/ Rocket Lake-S	10/11th Comet Lake-S/ Rocket Lake-S	10/11th Comet Lake-S/ Rocket Lake-S	10/11th Comet Lake-S/ Rocket Lake-S
Model	LI22-H420E	LI21-Q470E	LI21-H420E	MI02-10 Series
Dimension	170 x 170mm	170 x 170mm	170 x 170mm	170 x 170 mm
Chipset	Intel H420E	Intel Q470E	Intel H420E	Intel Q470E
Processor	LGA1200 socket 10th/11th Gen Processor	LGA1200 socket 10th/11th Gen Processor	LGA1200 socket 10th/11th Gen Processor	LGA1200 socket 10th/11th Gen Processor
Memory	2* DDR4 2933/2666MHz SODIMM up to 64GB	2* DDR4 2933/2666MHz SODIMM up to 64GB	2* DDR4 2933/2666MHz SODIMM up to 64GB	2* DDR4 2933/2666/2400MHz SODIMM up to 64GB
Integrated Graphics	Intel GFX	Intel GFX	Intel GFX	Intel GFX
SATA	4 SATAIII	1 SATAIII	1 SATAIII	1 SATAIII (6Gb/s) support RAID w/M.2 SATA port
eMMC	No	No	No	No
mSATA	No	No	No	No
Mini PCIe	No	No	No	No
M.2	1 (M-Key 2242/2280) 1 (E-Key 2230)	1 (M-Key 2242/2280) 1 (E-Key 2230) 1 (B-key 3042/3052)	1 (M-Key 2242/2280) 1 (E-Key 2230) 1 (B-key 3042/3052)	1 (M-Key 2280) 1 (E-Key 2230) 1 (B-Key 3042/3052)
SIM Card Holder	No	1 INT	1 INT	1 INT
Audio	Realtek ALC888S	Realtek ALC888S	Realtek ALC888S	Realtek ALC888S
Ethernet	1* Intel i225V 2.5GbE 1* Intel i219LM GbE	1* Intel i225V 2.5GbE 1* Intel i219LM GbE	1* Intel i225V 2.5GbE 1* Intel i219LM GbE	1* Intel i225LM 2.5GbE 1* Intel i219LM GbE
USB	6 Rear USB 3.2 (Gen.1), 3 INT USB 2.0	4 Rear USB 3.2 (Gen.1), 2 INT USB 3.2 (Gen.1), 4 INT USB 2.0	4 Rear USB 3.2 (Gen.1) 4 INT USB 2.0	4 Rear USB 3.2 (Gen.2) 2 INT USB 3.2 (Gen.1) 4 INT USB 2.0
COM	2 Rear RS232/422/485 4 INT RS232	2 INT RS232/422/485 4 INT RS232	2 INT RS232/422/485 4 INT RS232	2 INT RS232/422/485 2 INT RS232
RJ11	No	No	No	No
Parallel	No	No	No	No
HDMI	1 Rear	2 Rear	2 Rear	2 Rear
VGA	1 Rear	1 Rear (Co-lay DP)	1 Rear (Co-lay DP)	No
DVI	No	No	No	No
DisplayPort	1 Rear	1 Rear (Co-lay VGA)	1 Rear (Co-lay VGA)	1 Rear
LVDS / eDP	1* 24 Bit Dual CH LVDS (Option eDP)	1* 24 Bit Dual CH LVDS (Option eDP)	1* 24 Bit Dual CH LVDS (Option eDP)	1* 24 Bit Dual CH LVDS 1* eDP
Multiple Display	Dual	Triple	Triple	Triple
PS/2	1 INT	No	No	No
Expansion Slot	1* PCIe x16	1* PCIe x16	1* PCIe x16	1* PCIe x16
TPM	TPM2.0 onboard option	TPM2.0 onboard option	TPM2.0 onboard option	TPM2.0 onboard option
SMBus	Yes	Yes	Yes	Yes
GPIO	8-bit	8-bit	8-bit	8-bit
Power	24pin ATX + 4pin 12V	12V~28V DC-in jack	12V~28V DC-in jack	12V~28V DC-in jack
AT Mode	Yes	Yes	Yes	Yes
Page	65	66	67	68

Form Factor	Mini ITX			
Category	10/11th Comet Lake-S/ Rocket Lake-S	10/11th Comet Lake-S/ Rocket Lake-S	10th Comet Lake-S	10th Comet Lake-S
Model	MI02-30 Series	MI09-30 Series	MI08V00 Series	MI92V10 Series
Dimension	170 x 170mm	170 x 170 mm	170 x 170mm	170 x 170mm
Chipset	Intel H470	Intel H470	Intel H410	Intel Q470E
Processor	LGA1200 socket 10th/11th Gen Processor	LGA1200 socket 10th/11th Gen Processor	LGA1200 socket 10th Gen Processor	LGA1200 socket 10th Gen Processor
Memory	2* DDR4 2933/2666/2400MHz SODIMM up to 64GB	2* DDR4 2933/2666/2400MHz SODIMM up to 64GB	2* DDR4 2666/2400MHz SODIMM up to 64GB	2* DDR4 2666/2400MHz SODIMM up to 64GB
Integrated Graphics	Intel GFX	Intel GFX	Intel GFX	Intel GFX
SATA	1 SATAIII (6Gb/s) support RAID w/M.2 SATA port	4 SATAIII support RAID 0,1,5,10	2 SATAIII	4 SATAIII support RAID 0,1,5,10
eMMC	No	No	No	No
mSATA	No	No	No	No
Mini PCIe	No	No	No	No
M.2	1 (M-Key 2280) 1 (E-Key 2230) 1 (B-Key 3042/3052)	1 (M-Key 2242/2260/2280) 1 (E-Key 2230)	1 (M-Key 2242/2280) 1 (E-Key 2230) 1 (B-Key 3042/3052)	1 (M-Key 2280) 1 (E Key 2230)
SIM Card Holder	1 INT	No	1 INT	No
Audio	Realtek ALC888S	C-Media HS-100B USB chip	Realtek ALC888S	Realtek ALC888S
Ethernet	1* Intel i225LM 2.5GbE 1* Intel i219V GbE	1* Intel i219V GbE	1* Intel i225V 2.5GbE 1* Intel i219V GbE	1* Intel i219LM GbE 1* Intel i225V 2.5GbE
USB	4 Rear USB 3.2 (Gen.2) 2 INT USB 3.2 (Gen.1) 4 INT USB 2.0	3 Rear USB 3.2 (Gen.2), 1 Rear USB 3.2 (Gen.1) Type-C, 2 INT USB3.2 (Gen.1), 5 INT USB 2.0	3 Rear USB 3.2 (Gen.1) 1 Rear USB 2.0 4 INT USB 2.0	4 Rear USB 3.2 (Gen.2) 2 Rear USB 3.2 (Gen.1) 2 INT USB 2.0
COM	2 INT RS232/422/485 2 INT RS232	1 INT RS232/422/485	1 Rear RS232/422/485 3 Rear RS232 2 INT RS232	2 Rear RS232/422/485
RJ11	No	No	No	No
Parallel	No	No	No	No
HDMI	2 Rear	1 Rear	1 Rear	2 Rear
VGA	No	No	No	No
DVI	No	No	No	No
DisplayPort	1 Rear	1 Rear	1 Rear	1 Rear
LVDS / eDP	1* 24 Bit Dual CH LVDS 1* eDP	1* 24 Bit Dual CH LVDS	1* eDP	1* eDP
Multiple Display	Triple	Triple	Dual	Triple
PS/2	No	No	1 INT	1 INT
Expansion Slot	1* PCIe x16	1* PCIe x4	1* PCIe x16	1* PCIe x16
TPM	No	TPM2.0 onboard option	TPM2.0 onboard option	TPM2.0 onboard option
SMBus	Yes	No	No	Yes
GPIO	8-bit	No	8-bit	8-bit
Power	12V~28V DC-in jack	12V~19V DC-in jack	24pin ATX + 4pin 12V	24pin ATX + 4pin 12V
AT Mode	Yes	Yes	Yes	Yes
Page	69	70	71	72

Form Factor	Mini ITX			
Category	8th Coffee Lake-S	8th Coffee Lake-S	8th Coffee Lake-S	8th Coffee Lake-S
Model	JNC8HV-IH310	JNF797V-Q370	JNF796V-H310	JNF796V-Q370
Dimension	170 x 170mm	170 x 170 mm	170 x 170 mm	170 x 170mm
Chipset	Intel H310	Intel Q370	Intel H310	Intel Q370
Processor	LGA1151 socket 8th/9th Gen Processor	LGA1151 socket 8th/9th Gen Processor	LGA1151 socket 8th/9th Gen Processor	LGA1151 socket 8th/9th Gen Processor
Memory	2* DDR4 2133MHz SODIMM up to 64GB	2* DDR4 2666/2400MHz SODIMM up to 64GB	2* DDR4 2666/2400MHz SODIMM up to 32GB	2* DDR4 2666/2400MHz SODIMM up to 32GB
Integrated Graphics	Intel GFX	Intel GFX	Intel GFX	Intel GFX
SATA	1 SATAIII	2 SATAIII support RAID 0,1	3 SATAIII	5 SATAIII support RAID 0,1,5,10
eMMC	No	No	No	No
mSATA	No	No	No	No
Mini PCIe	No	No	No	No
M.2	1 (M-Key 2242) 1 (E-Key 2230)	1 (M-Key 2242/2260/2280) 1 (E-Key 2230)	1 (M-Key 2242/2280) 1 (E-Key 2230)	1 (M-Key 2242/2280) 1 (E-Key 2230)
SIM Card Holder	No	No	No	No
Audio	Realtek ALC888S	Realtek ALC888S	Realtek ALC888S	Realtek ALC888S
Ethernet	1* Intel i225V 2.5GbE 1* Intel i219V GbE	1* Intel i225V 2.5GbE 1* Intel i219LM GbE	1* Intel i225V 2.5GbE 1* Intel i219LM GbE	1* Intel i225V 2.5GbE 1* Intel i219LM GbE
USB	4 Rear USB 3.0 5 INT USB 2.0	4 Rear USB 3.1 (Gen.2) 2 INT USB 3.1 (Gen.1) 4 INT USB 2.0	4 Rear USB 3.1 (Gen.1) 2 INT USB 2.0	4 Rear USB 3.1 (Gen.2), 2 Rear USB 3.1 (Gen.1), 4 INT USB 3.1 (Gen.1), 2 INT USB 2.0
COM	4 INT RS232	2 Rear RS232/422/485	2 Rear RS232/422/485 4 INT RS232	2 Rear RS232/422/485 4 INT RS232
RJ11	No	No	No	No
Parallel	No	No	No	No
HDMI	1 Rear	1 Rear (Co-lay DP)	1 Rear	1 Rear
VGA	1 Rear	No	1 Rear	1 Rear
DVI	No	No	No	No
DisplayPort	No	2 Rear	1 Rear	1 Rear
LVDS / eDP	1* 24 Bit Dual CH LVDS (Co-lay eDP)	1* eDP	1* 24 Bit Dual CH LVDS	1* 24 Bit Dual CH LVDS
Multiple Display	Dual	Triple	Triple	Triple
PS/2	1 INT	1 INT	1 INT	1 INT
Expansion Slot	1* PCIe x4	1* PCIe x4 (Sideway)	1* PCIe x16	1* PCIe x16
TPM	TPM2.0 onboard option	TPM2.0 onboard option	TPM2.0 onboard option	TPM2.0 onboard option
SMBus	Yes	Yes	Yes	Yes
GPIO	8-bit	8-bit	8-bit	8-bit
Power	12V~24V DC-in jack	9V~36V DC-in jack	24pin ATX + 4pin 12V	24pin ATX + 4pin 12V
AT Mode	Yes	Yes	Yes	Yes
Page	73	74	75	76

Form Factor	Mini ITX			
Category	8th Coffee Lake-S	6th/7th Sky Lake/Kaby Lake	6th/7th Sky Lake/Kaby Lake	6th/7th Sky Lake/Kaby Lake
Model	JNF796V-C246	JNF697-Q170	JNF693-H110	JNF594-Q170
Dimension	170 x 170mm	170 x 170mm	170 x 170mm	170 x 170mm
Chipset	Intel C246	Intel Q170	Intel H110	Intel Q170
Processor	LGA1151 socket 8th/9th Gen Processor	LGA1151 socket 6th/7th Gen Processor	LGA1151 socket 6th/7th Gen Processor	LGA1151 socket 6th/7th Gen Processor
Memory	2* DDR4 2666/2400MHz SODIMM up to 32GB (W/ ECC)	2* DDR4 2133MHz SODIMM up to 32GB	2* DDR4 2133MHz SODIMM up to 32GB	2* DDR4 2133MHz SODIMM up to 32GB
Integrated Graphics	Intel GFX	Intel GFX	Intel GFX	Intel GFX
SATA	5 SATAIII support RAID 0,1,5,10	4 SATAIII support RAID 0,1,5,10	2 SATAIII	4 SATAIII support RAID 0,1,5,10
eMMC	No	No	No	No
mSATA	No	No	1 Full Size (Co-lay Mini-PCIe)	1 Full Size (co-layout with Mini-PCIe)
Mini PCIe	No	1 Full Size	1 Full Size (Co-lay mSATA)	1 Half Size 1 Full Size (Co-lay mSATA)
M.2	1 (M-Key 2242/2280) 1 (E-Key 2230)	No	1 (M-Key 2242/2260, SATA interface)	No
SIM Card Holder	No	1 INT	1 INT	No
Audio	Realtek ALC888S	Realtek ALC888S	Realtek ALC888S	Realtek ALC888S
Ethernet	1* Intel i225V 2.5GbE 1* Intel i225LM GbE	1* Intel i219LM GbE 1* Intel i211AT GbE	2* Realtek RTL8111H GbE	1* Intel i219LM GbE 1* Intel i211AT GbE
USB	4 Rear USB 3.1 (Gen.2), 2 Rear USB 3.1 (Gen.1), 4 INT USB 3.1 (Gen.1), 2 INT USB 2.0	4 Rear USB 3.0 2 INT USB 2.0	4 EXT USB 3.0 4 INT USB 2.0	6 Rear USB 3.0 2 INT USB 2.0
COM	2 Rear RS232/422/485 4 INT RS232	2 Rear RS232/422/485 4 INT RS232	1 Rear RS232/422/485, 3 Rear RS232, 1 INT RS232/422/485, 1 INT RS232	1 Rear RS232/422/485, 1 Rear RS232, 1 INT RS232/422/485, 1 INT RS232
RJ11	No	No	No	No
Parallel	No	No	No	No
HDMI	1 Rear	1 Rear	1 Rear	1 Rear
VGA	1 Rear	No	No	No
DVI	No	No	No	1 Rear DVI-D
DisplayPort	1 Rear	2 Rear	1 Rear	1 Rear
LVDS / eDP	1* 24 Bit Dual CH LVDS	1* 24 Bit Dual CH LVDS	1* eDP	1* 24 Bit Dual CH LVDS
Multiple Display	Triple	Triple	Dual	Triple
PS/2	1 INT	1 INT	1 INT	1 INT
Expansion Slot	1* PCIe x16	1* PCIe x4 (Sideway)	1* PCIe x16	1* PCIe x16
TPM	TPM2.0 onboard option	TPM2.0 onboard option	TPM2.0 onboard option	TPM2.0 onboard option
SMBus	Yes	Yes	Yes	Yes
GPIO	8-bit	8-bit	8-bit	8-bit
Power	24pin ATX + 4pin 12V	9~24V DC-in jack	24pin ATX + 4pin 12V	24pin ATX + 4pin 12V
AT Mode	Yes	Yes	Yes	Yes
Page	77	78	79	80

Form Factor	Mini ITX			
Category	6th/7th Sky Lake/Kaby Lake	12/13th Alder Lake-U/Raptor Lake-U	AMD V1000/R1000	AMD V1000/R1000
Model	JNF592-Q170	MI24 Series	JLI1U-20	JLI1U-60
Dimension	170 x 170mm	170 x 170mm	170 x 170mm	170 x 170mm
Chipset	Intel Q170	SoC	SoC	SoC
Processor	LGA1151 socket 6th/7th Gen Processor	Intel Alder Lake-U/Raptor Lake-U Series	AMD RYZEN V1605B	AMD RYZEN R1305G
Memory	2* DDR3L 1600MHz SODIMM up to 16GB	2* DDR5 4800MHz Dual CH SO-DIMM up to 64GB	2* DDR4 2400MHz SODIMM up to 32GB	2* DDR4 2400MHz SODIMM up to 32GB
Integrated Graphics	Intel GFX	Intel® Iris® Xe Graphics	AMD Vega Core Architecture	AMD Vega Core Architecture
SATA	6 SATAIII support RAID 0,1,5,10	1 SATAIII	2 SATAIII (SATA1 Support SATA DOM)	2 SATAIII (SATA1 Support SATA DOM)
eMMC	No	No	No	No
mSATA	No	No	No	No
Mini PCIe	1 Full Size	No	No	No
M.2	No	1 (M-Key, 2242/2280), 1 (M-Key, 2242), 1 (E-Key, 2230), 1 (B-Key, 3042/3052)	1 (M-Key 2242/2280) 1 (E-Key 2230) 1 (B-Key 3042/3052)	1 (M-Key 2242/2280) 1 (B-Key 3042/3052)
SIM Card Holder	1 INT	1 EXT	1 INT	1 INT
Audio	No	Realtek ALC888S	Realtek ALC888S W/3W Amplifier	Realtek ALC888S W/3W Amplifier
Ethernet	1* Intel i219LM GbE 7* Intel i211AT GbE	1* Intel i226V 2.5GbE 1* Intel i226LM 2.5GbE	2* Realtek RTL8111H GbE	2* Realtek RTL8111H GbE
USB	1 Rear RS232 (RJ45 type)	2 EXT USB 3.2 (Gen. 2), 2 EXT USB 3.2 (Gen. 2) Type-C, 4 EXT USB 2.0, 3 INT USB 2.0	2 EXT USB 3.2(Gen.1), 2 EXT USB 2.0, 6 INT USB 2.0	2 Rear USB 3.2 (Gen.1) 2 Rear USB 2.0 6 INT USB 2.0
COM	1 INT RS232 1 INT RS232/422/485	2 INT RS232/422/485 4 INT RS232	2 Rear RS232/422/485 4 INT RS232	2 Rear RS232/422/485 4 INT RS232
RJ11	No	No	No	No
Parallel	No	No	No	No
HDMI	1 INT	2 EXT (2.0b)	No	No
VGA	No	No	No	No
DVI	No	No	No	No
DisplayPort	No	No	4 Rear	3 Rear
LVDS / eDP	No	1* 24 Bit Dual CH LVDS (eDP option)	1* 24 Bit Dual CH LVDS (Co-lay DP1) 1* eDP (Co-lay DP0)	1* 24 Bit Dual CH LVDS (Co-lay DP1) 1* eDP (Co-lay DP0)
Multiple Display	No	Triple	Quad	Triple
PS/2	1 INT	1 INT	1 INT	1 INT
Expansion Slot	1* PCIe x4 (Sideway)	1* PCIe x1	1* PCIe x8	1* PCIe x4
TPM	TPM2.0 onboard option	TPM2.0 onboard option	TPM2.0 onboard option	TPM2.0 onboard option
SMBus	No	Yes	Yes	Yes
GPIO	8-bit	8-bit	8-bit	8-bit
Power	24pin ATX + 4pin 12V	12V DC-in jack	12V~28V DC-in jack	12V~28V DC-in jack
AT Mode	Yes	Yes	Yes	Yes
Page	81	82	83	84

Form Factor	3.5"			
Category	11th Tiger Lake-UP3	11th Tiger Lake-UP3	8th/10th Whisky Lake/Comet Lake-U	8th/10th Whisky Lake/Comet Lake-U
Model	MF10 Series	MF05V Series	JNF835V-5205U Series	JNF835V-8365UE Series
Dimension	148 x 102mm	148 x 102mm	148 x 102mm	148 x 102mm
Chipset	SoC	SoC	SoC	SoC
Processor	Intel Tiger Lake-U Series	Intel Tiger Lake-U Series 1145G7E/ 1135G7	Intel Comet Lake-U Series	Intel Whisky Lake-U Series
Memory	2* DDR4 3200MHz Dual CH SODIMM up to 64GB	2* DDR4 3200MHz Dual CH SODIMM up to 64GB	2* DDR4 2400MHz Dual CH SODIMM up to 64GB	2* DDR4 2400MHz Dual CH SODIMM up to 64GB
Integrated Graphics	Intel® Iris® Xe Graphics	Intel® Iris® Xe Graphics	Intel® UHD Graphics 620	Intel® UHD Graphics 620
SATA	1 SATAIII	1 SATAIII	1 SATAIII	1 SATAIII
eMMC	No	No	No	No
mSATA	No	No	No	No
Mini PCIe	No	No	No	No
M.2	1 (M-Key 2242/2280) 1 (E-Key 2230)	1 (M-Key 2242/2280) 1 (E-Key 2230)	1 (M-Key 2242/2280) 1 (E-Key 2230)	1 (M-Key 2242/2280) 1 (E-Key 2230)
SIM Card Holder	No	No	No	No
Audio	Realtek ALC888S W/3W Amplifier	Realtek ALC888S W/3W Amplifier	Realtek ALC888S	Realtek ALC888S
Ethernet	1* Intel i225V 2.5GbE 1* Intel i219LM GbE	1* Intel i225V 2.5GbE 1* Intel i219LM GbE	1* Intel i225V 2.5GbE 1* Intel i219LM GbE	1* Intel i225V 2.5GbE 1* Intel i219LM GbE
USB	3 Rear USB 3.2 (Gen.2), 2 Rear USB 3.2 (Gen.2) Type-C, 1 EXT USB 2.0, 2 INT USB 2.0	2 INT RS232/422/485 2 INT RS232	4 Rear USB 3.1 (Gen.1) 4 INT USB 2.0 (1 vertical)	4 Rear USB 3.1 (Gen.2), 1 Rear USB 3.1 (Gen.2) Type-C, 1 INT USB 3.1 (Gen.1) vertical, 3 INT USB 2.0
COM	1 INT RS232	1 EXT RS232 1 INT RS232(5V/12V)	1 INT RS232/422/485 5 INT RS232	1 INT RS232/422/485 5 INT RS232
RJ11	No	No	No	No
Parallel	No	No	No	No
HDMI	2 Rear	2 Rear	1 Rear	1 Rear
VGA	No	No	No	No
DVI	No	No	No	No
DisplayPort	2 Rear from USB type-C	2 Rear	1 Rear	1 Rear
LVDS / eDP	1* eDP	1* 24 Bit Dual CH LVDS 1* eDP	1* 24 Bit Dual CH LVDS (selectable W/eDP)	1* 24 Bit Dual CH LVDS (selectable W/eDP)
Multiple Display	Quad	Quad	Triple	Triple
PS/2	1 INT	1 INT	1 INT	1 INT
Expansion Slot	No	No	No	No
TPM	TPM2.0 onboard option	TPM2.0 onboard option	TPM2.0 onboard option	TPM2.0 onboard option
SMBus	Yes	Yes	Yes	Yes
GPIO	8-bit	8-bit	8-bit	8-bit
Power	12V~24V DC-in jack	12V~24V DC-in jack	9~24V DC-in jack	9V~24V DC-in jack
AT Mode	Yes	Yes	Yes	Yes
Page	85	86	87	88

Form Factor	3.5"			
Category	6th/7th Skylake/Kabylake	6th/7th Skylake/Kabylake	Elkhart Lake	Elkhart Lake
Model	JNF731V Series	JNF632N Series	MF20-00 Series	MF04V00 Series
Dimension	148 x 102mm	148 x 102mm	148 x 102mm	148 x 102mm
Chipset	SoC	SoC	SoC	SoC
Processor	Intel Skylake-U /Kabylake-U Series	Intel Skylake-U /Kabylake-U Series	Intel Elkhart Lake J6412	Intel Elkhart Lake J6412
Memory	1* DDR4 2133MHz SO-DIMM up to 16GB	2* DDR4 2133MHz Dual CH SO-DIMM up to 32GB	1* DDR4 3200MHz Daul CH SODIMM up to 32GB	2* DDR4 3200MHz Daul CH SODIMM up to 32GB
Integrated Graphics	Intel® HD Graphics 620	Intel® HD Graphics 620	Intel® UHD Graphics	Intel® UHD Graphics
SATA	1 SATAIII	1 SATAIII	1 SATAIII	1 SATAIII
eMMC	No	No	32GB (option)	32GB
mSATA	1 Full Size	1 Full Size (shared Mini-PCIe)	1 Full Size (shared Mini-PCIe)	No
Mini PCIe	1 Half Size 1 Full Size	1 Half Size 1 Full Size (shared mSATA)	1 Half Size 1 Full Size (shared mSATA)	No
M.2	No	No	1 (M-Key 2242/2280) 1 (E-Key 2230) 1 (B-Key 3042)	1 (M-Key 2242/2280) 1 (E-Key 2230) 1 (B-Key 3042)
SIM Card Holder	1 INT	No	1 INT	1 INT
Audio	Realtek ALC662	Realtek ALC888S	Realtek ALC888S	Realtek ALC888S
Ethernet	3* Intel i225V 2.5GbE 1* Intel i219LM GbE	1* Intel i219LM GbE 1* Intel i211AT GbE	2* Intel i225V 2.5GbE	2* Intel i225V 2.5GbE
USB	2 Rear USB 3.0 3 INT USB 2.0	4 Rear USB 3.0 2 Rear USB 2.0 5 INT USB 2.0	3 Rear USB 3.1 (Gen.2) 3 Rear USB 2.0 4 INT USB 2.0	3 Rear USB 3.1 (Gen.2) 3 Rear USB 2.0 2 INT USB 2.0
COM	1 Rear RS232 1 INT RS232/422/485	1 INT RS232/422/485 5 INT RS232	1 INT RS232/422/485 5 INT RS232	1 INT RS232/422/485 1 INT RS232
RJ11	No	No	No	No
Parallel	No	No	No	No
HDMI	1 INT	1 Rear	2 Rear	2 Rear
VGA	No	No	No	No
DVI	No	No	No	No
DisplayPort	No	1 Rear	No	No
LVDS / eDP	No	1* 24 Bit Dual CH LVDS (selectable W/eDP)	1* eDP (Co-lay LVDS)	1* eDP (Co-lay LVDS)
Multiple Display	No	Triple	Triple	Triple
PS/2	1 INT	1 INT	No	No
Expansion Slot	No	No	No	No
TPM	TPM2.0 onboard option	TPM2.0 onboard option	TPM2.0 onboard option	TPM2.0 onboard option
SMBus	Yes	Yes	No	Yes
GPIO	8-bit	8-bit	8-bit	8-bit
Power	12V DC-in jack	9V~24V DC-in jack	12V~24V DC-in jack	12V~24V DC-in jack
AT Mode	Yes	No	Yes	Yes
Page	89	90	91	92

Form Factor	3.5"			
Category	Elkhart Lake	Apollo Lake	Apollo Lake	Braswell
Model	MF13-00	MF94V Series	JNF631R-3455	JNF531R-3160
Dimension	148 x 102mm	148 x 102mm	148 x 102mm	148 x 102mm
Chipset	SoC	SoC	SoC	SoC
Processor	Intel Elkhart Lake J6412	Intel Apollo Lake Processor	Intel Apollo Lake J3455	Intel Braswell N3160
Memory	1* DDR4 3200MHz Dual CH SODIMM up to 32GB	1* DDR3L 1866MHz SODIMM up to 8GB	1* DDR3L 1866MHz SODIMM up to 8GB	1* DDR3L 1600MHz SODIMM up to 8GB
Integrated Graphics	Intel® UHD Graphics	Intel® HD Graphics 500	Intel® HD Graphics 500	Intel GFX
SATA	1 SATAIII	1 SATAIII	1 SATAIII	1 SATAIII
eMMC	32GB (option)	No	No	No
mSATA	1 Full Size (shared Mini-PCIe)	1 Full Size (shared Mini-PCIe)	No	No
Mini PCIe	1 Half Size 1 Full Size (shared mSATA)	1 Half Size 1 Full Size (shared mSATA)	1 Full Size	No 1 Half Size
M.2	1 (M-Key 2242/2280) 1 (E-Key 2230) 1 (B-Key 3042)	1 (M-Key 2242) 1 (B-Key 3042)	1 (M-Key 2242 interface)	1 (M-Key 2242)
SIM Card Holder	1 INT	1 Rear	1 INT	No
Audio	No	Realtek ALC888S	Realtek ALC888S	No
Ethernet	4* Intel i225V 2.5GbE	2* Intel i225V 2.5GbE	2* Realtek RTL8119I GbE	2* Realtek RTL8119I GbE
USB	1 Rear USB 3.1 (Gen.2) 1 Rear USB 2.0 2 INT USB 2.0	3 Rear USB 3.1 (Gen.1) 1 Rear USB 2.0 2 INT USB 2.0	4 Rear USB 3.0 2 INT USB 2.0	4 Rear USB 3.0 2 INT USB 2.0
COM	1 Rear RS232/422/485 1 INT RS232/422/485 (5V/12V)	1 INT RS232/422/485 1 INT RS232	1 Rear RS232 (RJ45 Type) 1 INT RS232/422/485 4 INT RS232	1 Rear RS232 (RJ45 Type) 1 INT RS232/422/485 4 INT RS232
RJ11	No	No	No	No
Parallel	No	No	No	No
HDMI	1 INT	1 Rear	No	1 Rear
VGA	No	No	No	No
DVI	No	No	No	No
DisplayPort	No	No	2 Rear	1 Rear
LVDS / eDP	No	1* 24 Bit Dual CH LVDS	1* eDP	1* 24 Bit Dual CH LVDS (Co-lay eDP)
Multiple Display	Single	Triple	Triple	Triple
PS/2	1 INT	No	1 INT	No
Expansion Slot	No	No	1 EXT micro SD card	No
TPM	No	TPM2.0 onboard option	No	No
SMBus	Yes	Yes	Yes	No
GPIO	8-bit	8-bit	8-bit	8-bit
Power	12V Lockable DC-in jack	9V~36V DC-in jack	12V DC-in jack	9V~36V Lockable DC-in jack
AT Mode	Yes	Yes	Yes	Yes
Page	93	94	95	96

Form Factor	3.5"			NUC
Category	Bay Trail	Bay Trail	11th Tiger Lake-UP3	10th Comet Lake-U
Model	JNF532-2930	JNF3A-2930	MU10 Series	JNU95V-10210
Dimension	148 x 102mm	148 x 102mm	101 x 101mm	101 x 101mm
Chipset	SoC	SoC	SoC	SoC
Processor	Intel Bay Taril N2930	Intel Bay Taril N2930	Intel Tiger Lake-UP3 SoC Processor	Intel® Comet Lake-U 10210U SoC Processor
Memory	1* DDR3L 1333MHz SODIMM up to 8GB	1* DDR3L 1333MHz SODIMM up to 8GB	2* DDR4 3200MHz SODIMM up to 64GB	2* DDR4 2400/2133MHz SODIMM up to 64GB
Integrated Graphics	Intel GFX	Intel GFX	Intel® Iris® Xe Graphics	Intel® UHD Graphics
SATA	1 SATAII	1 SATAII	1 SATAIII	1 SATAIII
eMMC	No	No	No	No
mSATA	1 Full Size (shared Mini-PCIe)	1 Full Size (shared Mini-PCIe)	1 Full Size (shared Mini-PCIe)	No
Mini PCIe	1 Half Size 1 Full Size (shared mSATA)	1 Half Size 1 Full Size (shared mSATA)	1 Half Size 1 Full Size (shared mSATA)	No
M.2	No	No	1 (M-Key 2242/2280) 1 (E-Key 2230) 1 (B-Key 3042/3052)	1 (M-Key 2242) 1 (E-Key 2230)
SIM Card Holder	1 INT	No	No	No
Audio	Realtek ALC888S	Realtek ALC888S	Realtek ALC888S	Realtek ALC888S
Ethernet	2* Realtek RTL8111H GbE	2* Realtek RTL8111H GbE	1* Intel i225V 2.5GbE 1* Intel i219LM GbE	1* Intel i225V 2.5GbE 1* Intel i219LM GbE
USB	1 Rear USB 3.0 3 Rear USB 2.0 4 INT USB 2.0	1 Rear USB 3.0 3 Rear USB 2.0 4 INT USB 2.0	2 Front USB 3.2 (Gen.2), 1 Front USB 3.2 (Gen.2) Type-C, 2 Rear USB 3.2 (Gen.2) Type-C, 2 INT USB 2.0	2 Front USB 3.2 (Gen.2) 2 Rear USB 3.2 (Gen.2) 2 INT USB 2.0
COM	1 INT RS232/422/485 (w/5V/12V) 3 INT RS232	1 INT RS232/422/485 (w/5V/12V) 3 INT RS232	1 INT RS232	1 Rear RS232/422/485 (5V/12V)
RJ11	No	No	No	No
Parallel	No	No	No	No
HDMI	No	No	2 Rear	2 Rear
VGA	1 INT	No	No	No
DVI	1 Rear DVI-D	1 Rear DVI-I	No	No
DisplayPort	No	No	2 Rear from USB type-C	1 Rear
LVDS / eDP	No	1* 24 Bit Dual CH LVDS	No	No
Multiple Display	Dual	Dual	Quad	Triple
PS/2	1 INT	1 INT	No	No
Expansion Slot	No	No	No	No
TPM	No	No	TPM2.0 onboard option	No
SMBus	Yes	Yes	Yes	No
GPIO	8-bit	8-bit	8-bit	8-bit
Power	9V~24V DC-in jack	9V~24V DC-in jack	12V~24V DC-in jack	12V DC-in jack
AT Mode	Yes	Yes	Yes	Yes
Page	97	98	99	100

Form Factor	NUC			
Category	Elkhart Lake	Gemini Lake	Apollo Lake	Apollo Lake
Model	MU03-00 Series	MU11-50	MU02-03	JNU691-3455
Dimension	101 x 101mm	101 x 101mm	101 x 101mm	101 x 101mm
Chipset	SoC	SoC	SoC	SoC
Processor	Intel Elkhart Lake J6412 SoC Processor	Intel Gemini Lake J4125 SoC Processor	Intel Apollo Lake J3455 SoC Processor	Intel Apollo Lake J3455 SoC Processor
Memory	1* DDR4 3200MHz SODIMM up to 32GB	1* DDR3L 2400MHz SODIMM up to 8GB	1* DDR3L 1866MHz SODIMM up to 8GB	1* DDR3L 1866MHz SODIMM up to 8GB
Integrated Graphics	Intel® UHD Graphics	Intel® UHD Graphics 600	Intel® HD Graphics 500	Intel® HD Graphics 500
SATA	1 SATAIII	1 SATAIII	1 SATAIII	1 SATAIII
eMMC	32GB (option)	32GB (option)	32GB	No
mSATA	1 Full Size (shared Mini-PCIe)	No	No	1 Full Size (shared Mini-PCIe)
Mini PCIe	1 Half Size 1 Full Size (shared mSATA)	No	No	1 Half Size 1 Full Size (shared mSATA)
M.2	1 (M-Key 2260/2280) 1 (E-Key 2230)	1 (M-Key 2242) 1 (E-Key 2230)	1 (M-Key 2242) 1 (E-Key 2230)	No
SIM Card Holder	No	No	No	1 INT
Audio	Realtek ALC888S	Realtek ALC888S	Realtek ALC888S	Realtek ALC888S
Ethernet	2* Intel i225V 2.5GbE	2* Realtek RTL8119I GbE	2* RTL8125BS 2.5GbE	2* Realtek RTL8111H GbE
USB	1 Front USB 3.1 (Gen.2), 2 Front USB3.1 (Gen2) Type-C, 1 Front USB 2.0, 1 Rear USB 3.1 (Gen.2), 2 INT USB 2.0	1 Front USB 3.1 (Gen.1), 1 Front USB Type-C, 2 Rear USB 3.1 (Gen.1), 2 INT USB 2.0	1 Front USB 3.0 Type-C, 1 Front USB 3.0, 2 Rear USB 3.0, 2 INT USB 2.0	2 Front USB 3.0 2 Rear USB 3.0 2 INT USB 2.0
COM	1 INT RS232/422/485	1 Front RS232/422/485 1 Front RS232	1 Front RS232/422/485	1 Front RS232/422/485
RJ11	No	No	No	No
Parallel	No	No	No	No
HDMI	2 Rear	2 Rear	2 Rear	2 Rear
VGA	No	No	No	1 Front
DVI	No	No	No	No
DisplayPort	1 Rear	1 Rear	1 Rear	No
LVDS / eDP	No	No	No	No
Multiple Display	Triple	Triple	Triple	Triple
PS/2	No	No	No	No
Expansion Slot	No	No	No	No
TPM	TPM2.0 onboard option	No	TPM2.0 onboard option	TPM2.0 onboard (not option)
SMBus	Yes	Yes	Yes	Yes
GPIO	8-bit	No	8-bit	8-bit
Power	12V DC-in jack	12V DC-in jack	12V DC-in jack	12V DC-in jack
AT Mode	Yes	Yes	Yes	Yes
Page	101	102	103	104

Form Factor	NUC		EPIC	
Category	Braswell	Bay Trail	Bay Trail	Bay Trail
Model	JNU591R-3160	JNU93-2930	JNLBT-IE1900	JNLBT-IE2930-4G
Dimension	101 x 101mm	101 x 101mm	115 x 165mm	115 x 165mm
Chipset	SoC	SoC	SoC	SoC
Processor	Intel Braswell N3160 SoC Processor	Intel Bay Taril N2930	Intel Bay Taril J1900	Intel Bay Taril N2930
Memory	1* DDR3L 1600MHz SODIMM up to 8GB	1* DDR3L 1333MHz SODIMM up to 8GB	1* DDR3L 1333MHz SODIMM up to 8GB	4GB DDR3L 1333MHz on board
Integrated Graphics	Intel® Gen8 Intel Graphics DX 11*, OGL3.2	Intel GFX	Intel GFX	Intel GFX
SATA	1 SATAIII	1 SATAIII	1 SATAIII	1 SATAIII
eMMC	No	No	No	No
mSATA	1 Full Size (shared Mini-PCIe)	1 Full Size	1 Full Size	1 Full Size
Mini PCIe	1 Half Size 1 Full Size (shared mSATA)	1 Half size	1 Half Size	1 Half Size
M.2	No	No	No	No
SIM Card Holder	1 INT	No	1 INT	1 INT (Nano)
Audio	Realtek ALC888S	Realtek ALC888S W/3W Amplifier	Realtek ALC888S W/3W Amplifier	Realtek ALC888S W/3W Amplifier
Ethernet	2* Realtek RTL8119I GbE	2* Intel i211AT GbE	2* Intel i211AT GbE	2* Intel i211AT GbE
USB	2 Front USB 3.0 2 Rear USB 3.0 2 INT USB 2.0	1 Front USB 3.0, 1 Front USB 2.0, 2 Rear USB 2.0, 2 INT USB 2.0	1 Rear USB 3.0 1 Rear USB 2.0 4 INT USB 2.0	1 Rear USB 3.0 1 Rear USB 2.0 4 INT USB 2.0
COM	1 Front RS232/422/485	1 Rear RS232/422/485 (5V/12V)	1 Rear RS232 2 INT RS232/422/485 3 INT RS232	1 Rear RS232 2 INT RS232/422/485 3 INT RS232
RJ11	No	No	No	No
Parallel	No	No	1 INT	1 INT
HDMI	2 Rear	2 Rear	1 INT	1 INT
VGA	No	1 EXT(select w/HDMI)	1 Rear	1 Rear
DVI	No	No	No	No
DisplayPort	1 Rear	No	No	No
LVDS / eDP	No	No	1* 24 Bit Dual CH LVDS	1* 24 Bit Dual CH LVDS
Multiple Display	Triple	Dual	Dual	Dual
PS/2	No	No	1 INT	1 INT
Expansion Slot	No	No	No	No
TPM	No	No	No	No
SMBus	No	No	No	No
GPIO	8-bit	No	8-bit	8-bit
Power	12V DC-in jack	9V~24V DC-in jack	9V~24V DC-in jack	9V~24V DC-in jack
AT Mode	Yes	Yes	Yes	Yes
Page	105	106	107	108

Form Factor	5.25"	PICO-ITX		
Category	Elkhart Lake	Elkhart Lake	Elkhart Lake	Gemini Lake
Model	JLE1K Series	MP01 Series	MP21 Series	JNP891P-4125
Dimension	200 x 120mm	100 x 72mm	100 x 72mm	100 x 72mm
Chipset	SoC	SoC	SoC	SoC
Processor	Intel Elkhart Lake SoC Processor	Intel Elkhart Lake N6210 SoC Processor	Intel Elkhart Lake N6210 SoC Processor	Intel Gemini Lake J4125 SoC Processor
Memory	1* DDR4 3200MHz SODIMM up to 32GB	1* DDR4 3200MHz SODIMM up to 32GB	LPDDR4 onboard (Default: 4GB)	1* DDR4 2400MHz SODIMM up to 8GB
Integrated Graphics	Intel® UHD Graphics	Intel® UHD Graphics	Intel® UHD Graphics	Intel® UHD Graphics 600
SATA	1 SATAIII	No	No	1 SATAIII
eMMC	No	32GB (option)	32GB (option)	No
mSATA	No	No	No	No
Mini PCIe	No	No	No	1 Full size
M.2	1 (M-Key 2242/2280) 1 (E-Key 2230) 1 (B-Key 3042/3052)	1 (M-Key 2242) 1 (E-Key 2230)	1 (B/M-Key 2242/3042/3052) 1 (E-Key 2230)	1 (M-Key 2242)
SIM Card Holder	1 INT	No	1 INT	1 Rear
Audio	C-Media HS-100B USB chip W/3W Amplifier	Realtek ALC888S	Realtek ALC888S	Realtek ALC888S
Ethernet	2* Intel i225V 2.5GbE	2* Realtek RTL8119I GbE	2* Realtek RTL8119I GbE	1* Realtek RTL8111H GbE
USB	2 Rear USB 3.2 (Gen.1) 2 Rear USB 2.0 6 INT USB 2.0	2 Rear USB 3.1 (Gen.2), 1 Rear USB 3.1 (Gen.2) Type-C, 2 INT USB 2.0	2 Rear USB 3.1 (Gen.2), 1 Rear USB 3.1 (Gen.2) Type-C, 2 INT USB 2.0	2 Rear USB 3.0 2 INT USB 2.0
COM	2 Rear RS232/422/485 2 INT RS232	1 INT RS232/422/485	2 INT RS232/422/485	1 INT RS232
RJ11	No	No	No	No
Parallel	No	No	No	No
HDMI	1 Rear (Co-lay VGA)	1 Rear	1 Rear	2 Rear
VGA	1 Rear (Co-lay HDMI)	No	No	No
DVI	No	No	No	No
DisplayPort	No	No	No	No
LVDS / eDP	1* 24 Bit Dual CH LVDS 1* eDP	1* eDP	1* 24 bits Dual CH LVDS or 1* eDP (Default: LVDS)	1* eDP
Multiple Display	Triple	Dual	Dual	Triple
PS/2	No	No	No	No
Expansion Slot	No	No	No	No
TPM	TPM2.0 onboard option	No	No	No
SMBus	Yes	Yes	No	Yes
GPIO	8-bit	8-bit	8-bit	8-bit
Power	12V~28V DC-in jack	12V DC-in jack	12V DC-in jack	12V DC-in jack
AT Mode	Yes	Yes	Yes	Yes
Page	109	110	111	112

Form Factor	PICO-ITX			Micro-ATX
Category	Gemini Lake	Apollo Lake	Bay Trail	12th/13th Alder Lake-S/ Raptor Lake-S
Model	JNP891P32-4125	JNP691N Series	JNP93 Series	LM26-H610
Dimension	100 x 72mm	100 x 72mm	100 x 72mm	244 x 244mm
Chipset	SoC	SoC	SoC	Intel H610/H610E
Processor	Intel Gemini Lake J4125 SoC Processor	Intel Apollo Lake SoC Processor	Intel Bay Trail SoC Processor	LGA1700 socket 12th Gen Processors (125W TDP & 240A Max.)
Memory	1* DDR4 2400MHz SODIMM up to 8GB	1* DDR3L 1866MHz SODIMM up to 8GB	2GB DDR3L 1333MHz on board	2* DDR4 3200MHz UDIMM DRAM up to 64GB
Integrated Graphics	Intel® UHD Graphics 600	Intel® HD Graphics 500	Intel GFX	Intel GFX
SATA	1 SATAIII	1 SATAIII	1 SATAIII	4 SATAIII
eMMC	32GB	No	No	No
mSATA	No	No	1 Full Size	No
Mini PCIe	1 Full size	1 Full size	1 Half Size	No
M.2	1 (M-Key 2242)	1 (M-Key 2242)	No	1 (M-Key 2242/2280), 1 (M-Key 2242), 1 (E-Key 2230), 1 (B-Key 3042/3052)
SIM Card Holder	1 Rear	1 Rear	No	1 INT
Audio	Realtek ALC888S	Realtek ALC888S	Realtek ALC888S	Realtek ALC888S
Ethernet	1* Realtek RTL8111H GbE	1* Realtek RTL8111H GbE	1* Realtek RTL8111H GbE	1* Intel i219V GbE 2* Intel I225V 2.5GbE
USB	2 Rear USB 3.0 2 INT USB 2.0	2 Rear USB 3.0 2 INT USB 2.0	1 Rear USB 3.0 1 Rear USB 2.0 6 INT USB 2.0	3 Rear USB 3.2 (Gen.1), 3 Rear USB 2.0, 4 INT USB 2.0, 1 INT USB 2.0 Type A vertical connector
COM	1 INT RS232	1 INT RS232/422/485 1 INT RS232	1 INT RS232/422/485 1 INT RS232 (5V/12V)	2 EXT RS232/422/485 8 INT RS232
RJ11	No	No	No	No
Parallel	No	No	No	No
HDMI	2 Rear	1 Rear	1 Rear	1 Rear
VGA	No	No	1 Rear (Co-lay HDMI)	1 Rear
DVI	No	No	No	No
DisplayPort	No	No	No	1 Rear
LVDS / eDP	1* eDP	1* 24 Bit Dual CH LVDS	1* 24 Bit Dual CH LVDS	No
Multiple Display	Triple	Dual	Dual	Triple
PS/2	No	No	No	1 INT
Expansion Slot	No	No	No	1* PCIe x16 1* PCIe x4(Co-lay M key) 2* PCI
TPM	No	No	No	TPM2.0 onboard option
SMBus	Yes	Yes	No	Yes
GPIO	8-bit	8-bit	No	16-bit
Power	12V DC-in jack	12V DC-in jack	12V DC-in jack	24pin ATX + 8pin 12V
AT Mode	Yes	Yes	Yes	Yes
Page	112	113	114	115

Form Factor	Micro-ATX			
Category	12th/13th Alder Lake-S/ Raptor Lake-S	12th/13th Alder Lake-S/ Raptor Lake-S	10/11th Comet Lake-S/ Rocket Lake-S	10/11th Comet Lake-S/ Rocket Lake-S
Model	MM10-H6100 Series	MM10-Q6700 Series	MM21-Q4700 Series	MM21-W4800 Series
Dimension	244 x 244mm	244 x 244mm	244 x 244mm	244 x 244mm
Chipset	Intel H610	Intel Q670E	Intel Q470E	Intel W480E
Processor	LGA1700 socket 12th/13th Gen Processors (125W TDP & 240A Max.)	LGA1700 socket 12th/13th Gen Processors (125W TDP & 240A Max.)	LGA1200 socket 10th/11th Gen Processor	LGA1200 socket 10th/11th Gen Processor
Memory	2* DDR5 4800MHz UDIMM DRAM up to 64GB	4* DDR5 4800MHz UDIMM DRAM up to 128GB	4* DDR4 2933/2666/2400MHz UDIMM DRAM up to 128GB support ECC	4* DDR4 2933/2666/2400MHz UDIMM DRAM up to 128GB support ECC
Integrated Graphics	Intel GFX	Intel GFX	Intel® HD Graphics	Intel® HD Graphics
SATA	3 SATAIII	3 SATAIII support RAID 0,1	6 SATAIII (6 Gb/s) support RAID 0/1/5/10	8 SATAIII (6 Gb/s) support RAID 0/1/5/10 (SATA7 and SATA8 support SATA DOM)
eMMC	No	No	No	No
mSATA	No	No	No	No
Mini PCIe	No	No	No	No
M.2	1 (M-Key 2242/2280/22110) 1 (E-Key 2230)	1 (M-Key 2242/2280/22110) 1 (E-Key 2230)	1 (M-Key 2242/2260/2280/ 22110), 1 (M-Key 2260/2280), 1 (E-Key 2230)	1 (M-Key 2242/2260/2280/ 22110), 1 (M-Key 2260/2280), 1 (E-Key 2230)
SIM Card Holder	No	No	No	No
Audio	Realtek ALC888S	Realtek ALC888S	No	No
Ethernet	1* Intel i219V GbE 1* Realtek RTL8153 GbE	2* Realtek RTL8119I GbE	2* Intel i225V 2.5GbE 1* Intel i219LM GbE 1* Intel i210AT GbE	2* Intel i225LM 2.5GbE 1* Intel i219LM GbE 1* Intel i210AT GbE
USB	2 Rear USB 3.2 (Gen.2), 4 Rear USB 2.0, 1 INT USB 3.2 (Gen.1), 5 INT USB 2.0, 2 INT USB 2.0 Type A vertical connector	6 Rear USB 3.2 (Gen.2), 1 INT USB 3.2 (Gen.1), 9 INT USB 2.0, 2 INT USB 2.0 Type A vertical connector	4 Rear USB 3.2 (Gen.2) 2 INT USB 3.2 (Gen.1) 4 INT USB 2.0	4 Rear USB 3.2 (Gen.2) 2 INT USB 3.2 (Gen.1) 4 INT USB 2.0
COM	1 Rear RS232/422/485 5 INT RS232 4 INT RS232 (Reserve)	1 Rear RS232/422/485 5 INT RS232 4 INT RS232 (Reserve)	2 EXT RS232/422/485 4 INT RS232	2 EXT RS232
RJ11	No	No	No	No
Parallel	No	No	No	No
HDMI	2 Rear	2 Rear	2 Rear	2 Rear
VGA	1 INT	1 INT	No	No
DVI	No	No	No	No
DisplayPort	1 Rear	1 Rear	No	No
LVDS / eDP	No	No	No	No
Multiple Display	Triple	Quad	Dual	Dual
PS/2	1 INT	1 INT	No	No
Expansion Slot	1* PCIe x16 2* PCIe x4	1* PCIe x16 3* PCIe x4	1* PCIe x16, 1* PCIe x8 (share with PCIe x16 slot), 1* PCIe x4, 1* PCIe x1	1* PCIe x16, 1* PCIe x8 (share with PCIe x16 slot), 1* PCIe x4, 1* PCIe x1
TPM	TPM2.0 onboard option	TPM2.0 onboard option	TPM2.0 onboard option	TPM2.0 onboard option
SMBus	Yes	Yes	No	Yes
GPIO	8-bit	8-bit	8-bit	8-bit
Power	24pin ATX + 8pin 12V	24pin ATX + 8pin 12V	24pin ATX + 8pin 12V	24pin ATX + 8pin 12V
AT Mode	Yes	Yes	Yes	Yes
Page	116	117	118	119

Form Factor	Micro-ATX			
Category	8th Coffee Lake	8th Coffee Lake	8th Coffee Lake	8th Coffee Lake
Model	LM-0A1	LM-0A2	LM0B-00	NMF891-H310
Dimension	244 x 244mm	244 x 244mm	244 x 244mm	244 x 244mm
Chipset	Intel Q370	Intel C246	Intel H310	Intel H310
Processor	LGA1151 socket 8th/9th Gen processor	LGA1151 socket 8th/9th Gen processor	LGA1151 socket 8th/9th Gen processor	LGA1151 socket 8th/9th Gen processor
Memory	4* DDR4 2666/2400/2133MHz UDIMM DRAM up to 128GB	4* DDR4 2666/2400/2133MHz UDIMM DRAM up to 128GB support ECC	2* DDR4 2666MHz UDIMM DRAM up to 64GB	2* DDR4 2666MHz UDIMM DRAM up to 64GB
Integrated Graphics	Intel GFX	Intel GFX	Intel GFX	Intel GFX
SATA	6 SATAIII support RAID 0,1,5,10	8 SATAIII support RAID 0,1,5,10	4 SATAIII	3 SATAIII
eMMC	No	No	No	No
mSATA	No	No	No	No
Mini PCIe	No	No	No	1 Full Size
M.2	1 (M-Key 2242/2260/2280/22110), 1 (M-Key 2242), 1 (E-Key 2230), 1 (B-Key 3042/3052)	1 (M-Key 2242/2260/2280/22110), 1 (M-Key 2242), 1 (E-Key 2230), 1 (B-Key 3042/3052)	1 (M-Key 2242) 1 (E-Key 2230)	1 (M-Key 2242/2260/2280/22110)
SIM Card Holder	1 INT (Nano)	1 INT (Nano)	No	1 INT
Audio	Realtek ALC888S	Realtek ALC888S	Realtek ALC888S	Realtek ALC888S
Ethernet	1* Intel i219V GbE 1* Intel i211AT GbE	1* Intel i219V GbE 1* Intel i210AT GbE	1* Intel i219V GbE 1* Intel i211AT GbE	2* Realtek RTL8111H GbE
USB	4 Rear USB 3.1 (Gen.2) 2 INT USB 3.1 (Gen.1) 5 INT USB 2.0 (1 Erect)	4 Rear USB 3.1 (Gen.2) 2 INT USB 3.1 (Gen.1) 5 INT USB 2.0 (1 Erect)	4 Rear USB 3.1 (Gen.1) 5 INT USB 2.0 (1 Erect)	4 Rear USB 3.1 (Gen.1) 2 Rear USB 2.0 2 INT USB 2.0
COM	1 Rear RS232/422/485, 1 INT RS232/422/485, 4 INT RS232 (COM1~5: 5V/12V TTL)	1 Rear RS232/422/485, 1 INT RS232/422/485, 4 INT RS232 (COM1~5: 5V/12V TTL)	1 Rear RS232/422/485, 1 INT RS232/422/485, 4 INT RS232 (COM1~5: 5V/12V TTL)	1 INT RS232/422/485 8 INT RS232
RJ11	No	No	No	No
Parallel	No	No	No	No
HDMI	1 Rear	1 Rear	1 Rear	1 Rear
VGA	1 Rear (selectable W/ LVDS)	1 Rear (selectable W/ LVDS)	1 Rear	1 Rear
DVI	1 Rear DVI-D	1 Rear DVI-D	1 Rear DVI-D	1 Rear DVI-D
DisplayPort	1 Rear	1 Rear	1 Rear	1 Rear
LVDS / eDP	1* 24 Bit Dual CH LVDS (Optional, selectable W/ VGA)	1* 24 Bit Dual CH LVDS (Optional, selectable W/ VGA)	No	No
Multiple Display	Triple	Triple	Dual	Dual
PS/2	1 Rear	1 Rear	1 Rear	1 INT
Expansion Slot	2* PCIe x16 2* PCIe x4	2* PCIe x16 2* PCIe x4	1* PCIe x16 1* PCIe x4 2* PCI	1* PCIe x16 1* PCIe x1 2* PCI
TPM	TPM2.0 onboard option	TPM2.0 onboard option	TPM2.0 onboard option	TPM1.2/2.0 onboard option
SMBus	Yes	Yes	Yes	Yes
GPIO	16-bit	16-bit	16-bit	8-bit
Power	24pin ATX + 8pin 12V	24pin ATX + 8pin 12V	24pin ATX + 8pin 12V	24pin ATX + 8pin 12V
AT Mode	Yes	Yes	Yes	Yes
Page	120	121	122	123

Form Factor	Micro-ATX		ATX	
Category	6th/7th Skylake	6th/7th Skylake	12/13th Alder Lake-S/Raptor Lake	12/13th Alder Lake-S/Raptor Lake
Model	MM91-00	JNMF691-H110	MA20-Q6700 Series	MA20-R6800 Series
Dimension	244 x 244mm	244 x 244mm	305 x 244mm	305 x 244mm
Chipset	Intel H110	Intel H110	Intel Q670E	Intel R680E
Processor	LGA1151 socket 7th/6th Gen processor	LGA1151 socket 7th/6th Gen processor	LGA1700 socket 12/13th Gen processor	LGA1700 socket 12/13th Gen processor
Memory	2* DDR4 2133MHz UDIMM DRAM up to 32GB	2* DDR4 2133MHz UDIMM DRAM up to 32GB	4* DDR5 4800MHz UDIMM DRAM up to 128GB	4* DDR5 4800MHz UDIMM DRAM up to 128GB support ECC
Integrated Graphics	Intel GFX	Intel GFX	Intel HD Graphics	Intel HD Graphics
SATA	3 SATAIII	3 SATAIII	4 SATAIII support RAID 0,1,5,10	4 SATAIII support RAID 0,1,5,10
eMMC	No	No	No	No
mSATA	No	No	No	No
Mini PCIe	1 Full Size (USB signal only)	1 Full Size (USB signal only)	No	No
M.2	1 (M-Key 2242/2260/2280/22110)	1 (M-Key 2242/2260/2280/22110)	1 (M-Key 2242/2280/22110), 1 (M-Key 2242/2280), 1 (E-Key 2230), 1 (B-key 3042/3052)	1 (M-Key 2242/2280/22110), 1 (M-Key 2242/2280), 1 (E-Key 2230), 1 (B-key 3042/3052)
SIM Card Holder	1 INT	1 INT	1 INT	1 INT
Audio	Realtek ALC888S	Realtek ALC888S	Realtek ALC888S	Realtek ALC888S
Ethernet	1* Intel i219V GbE 1* Intel i211AT GbE	2* Realtek RTL8111H GbE	1* Intel i226LM 2.5GbE 2* Intel i226V 2.5GbE	1* Intel i226LM 2.5GbE 2* Intel i226V 2.5GbE
USB	4 Rear USB 3.0 2 Rear USB 2.0 3 INT USB 2.0	4 Rear USB 3.0, 2 Rear USB 2.0, 2 INT USB 2.0, 1 INT USB 2.0 Type A vertical connector	1 INT USB 3.2 (Gen.2) Type A vertical connector, 2 INT USB 3.2 (Gen.1), 2 INT USB 2.0, 1 INT USB 2.0 Erect	6 Rear USB 3.1 (Gen.2), 1 INT USB 3.2 (Gen.2) Type A vertical connector, 2 INT USB 3.2 (Gen.1), 2 INT USB 2.0, 1 INT USB 2.0 Erect
COM	1 Rear RS232 1 Rear RS232/422/485 8 INT RS232	1 Rear RS232 1 Rear RS232/422/485 8 INT RS232	2 Rear RS232/422/485 support 5V/12V TTL 4 INT RS232 support 5V/12V TTL	2 Rear RS232/422/485 support 5V/12V TTL, 4 INT RS232 support 5V/12V TTL
RJ11	No	No	No	No
Parallel	No	No	No	No
HDMI	1 Rear	1 Rear	1 Rear	1 Rear
VGA	1 Rear	1 Rear	1 Rear	1 Rear
DVI	1 Rear DVI-D	1 Rear DVI-D	No	No
DisplayPort	No	No	1 Rear	1 Rear
LVDS / eDP	No	No	No	No
Multiple Display	Dual	Dual	Triple	Triple
PS/2	1 INT	1 INT	1 INT	1 INT
Expansion Slot	1* PCIe x16 1* PCIe x4 2* PCI	1* PCIe x16 1* PCIe x1 2* PCI	2* PCIe4.0 x16 (or 4* PCIe4.0 x8), 2* PCIe4.0 x4, 2* PCIe3.0 x1, 1* PCI	2* PCIe4.0 x16 (or 4* PCIe4.0 x8), 2* PCIe4.0 x4, 2* PCIe3.0 x1, 1* PCI
TPM	TPM2.0 onboard option	TPM2.0 onboard option	TPM2.0 onboard option	TPM2.0 onboard option
SMBus	Yes	Yes	Yes	Yes
GPIO	8-bit	8-bit	8-bit	8-bit
Power	24pin ATX + 8pin 12V	24pin ATX + 8pin 12V	24pin ATX + 8pin 12V	24pin ATX + 8pin 12V
AT Mode	Yes	Yes	Yes	Yes
Page	124	125	126	127

Form Factor	ATX			
Category	10th Comet Lake-S	10th Comet Lake-S	10th Comet Lake-S	8th Coffee Lake
Model	LA2H-H420E	JLA0H-00	JLA20-10	JNAF791-Q370
Dimension	305 x 220mm	305 x 220mm	305 x 244mm	305 x 244mm
Chipset	Intel H420E	Intel H410	Intel Q470E	Intel Q370
Processor	LGA1200 socket 10/11th Gen processor	LGA1200 socket 10th Gen processor	LGA1200 socket 10/11th Gen processor	LGA1151 socket 8th/9th Gen processor
Memory	2* DDR4 2933MHz UDIMM DRAM up to 64GB	2* DDR4 2933MHz UDIMM DRAM up to 64GB	4* DDR4 3200MHz UDIMM DRAM up to 128GB	4* DDR4 2666MHz UDIMM DRAM up to 128GB
Integrated Graphics	Intel GFX	Intel GFX	Intel GFX	Intel GFX
SATA	4 SATAIII (SATA4 Co-lay M.2)	4 SATAIII	4 SATAIII	5 SATAIII support RAID 0,1,5,10
eMMC	No	No	No	No
mSATA	No	No	No	No
Mini PCIe	No	No	No	1 Full Size (USB signal only)
M.2	1 (M-Key 2242/2280)	1 (M-Key 2242/2280)	2 (M-Key 2242/2280) 1 (E-Key 2230) 1 (B-Key 3042/3052)	1 (M-Key 2242/2260/2280/22110) 1 (E-Key 2230)
SIM Card Holder	No	No	1 INT	No
Audio	Realtek ALC888S	Realtek ALC888S	Realtek ALC888S	Realtek ALC888S
Ethernet	1* Intel i225V 2.5GbE 1* Intel i219LM GbE	1* Intel i225LM 2.5GbE 1* Intel i219LM GbE	1* Intel i225V 2.5GbE 1* Intel i219LM GbE	1* Intel i219LM GbE 1* Intel i211AT GbE
USB	4 Rear USB 3.2 (Gen.1), 2 Rear USB 2.0, 2 INT USB 2.0, 1 INT USB 2.0 Type A vertical connector	4 Rear USB 3.2 (Gen.1), 2 Rear USB 2.0, 2 INT USB 2.0, 1 INT USB 2.0 Type A vertical connector	4 Rear USB 3.2 (Gen.2), 2 Rear USB 2.0, 1 INT USB 3.2 (Gen.1), 4 INT USB2.0	4 Rear USB 3.1 (Gen.2), 2 Rear USB 3.1 (Gen.1), 2 INT USB 3.1 (Gen.1), 4 INT USB 2.0
COM	2 Rear RS232/422/485 4 INT RS232	2 Rear RS232/422/485 4 INT RS232	2 Rear RS232/422/485 4 INT RS232	1 Rear RS232/422/485 1 INT RS232/422/485 8 INT RS232
RJ11	No	No	No	No
Parallel	1 INT (Co-lay GPIO)	1 INT (Co-lay GPIO)	No	No
HDMI	2 Rear	1 Rear	1 Rear	1 Rear
VGA	1 Rear	1 Rear	1 Rear	1 Rear
DVI	No	No	No	1 Rear DVI-D
DisplayPort	No	No	1 Rear	1 Rear
LVDS / eDP	No	No	No	No
Multiple Display	Dual	Dual	Triple	Triple
PS/2	1 Rear	1 Rear	1 INT	1 INT
Expansion Slot	1* PCIe x16 1* PCIe x4 5* PCI	1* PCIe x16 1* PCIe x4 5* PCI	2* PCIe x16 5* PCIe x4	2* PCIe x16, 1* PCIe x4, 1* PCIe x1, 2* PCI
TPM	TPM2.0 onboard option	TPM2.0 onboard option	TPM2.0 onboard option	TPM2.0 onboard option
SMBus	Yes	Yes	Yes	Yes
GPIO	16-bit	16-bit	16-bit	8-bit
Power	24pin ATX + 8pin 12V	24pin ATX + 8pin 12V	24pin ATX + 8pin 12V	24pin ATX + 8pin 12V
AT Mode	Yes	Yes	Yes	Yes
Page	128	129	130	131

Form Factor	ATX			
Category	8thCoffee Lake	8thCoffee Lake	6th Skylake	6th Skylake
Model	JNAF791-C246	JLA1Q-10	JNC9L-AH110	JNAF591-Q170
Dimension	305 x 244mm	305 x 244mm	305 x 220mm	305 x 244mm
Chipset	Intel C246	Intel Q370	Intel H110	Intel Q170
Processor	LGA1151 socket 8th/9th Gen processor	LGA1151 socket 8th/9th Gen processor	LGA1151 socket 6th/7th/8th/9th Gen processor	LGA1151 socket 6th/7th Gen processor
Memory	4* DDR4 2666MHz UDIMM DRAM up to 128GB (W/ECC)	4* DDR4 2400MHz UDIMM DRAM up to 128GB	2* DDR4 2133MHz UDIMM DRAM up to 64GB	4* DDR4 2133MHz UDIMM DRAM up to 64GB
Integrated Graphics	Intel GFX	Intel GFX	Intel GFX	Intel GFX
SATA	5 SATAIII support RAID 0,1,5,10	4 SATAIII support RAID 0,1,5,10	4 SATAIII (SATA4 Co-lay M.2)	4 SATAIII support RAID 0,1,5,10
eMMC	No	No	No	No
mSATA	No	No	No	No
Mini PCIe	1 Full Size (USB signal only)	No	No	1 Full Size (USB signal only)
M.2	1 (M-Key 2242/2260/2280/22110) 1 (E-Key 2230)	1 (M-Key 2242/2280/22110) 1 (B-Key 3042/3052)	1 (M-Key 2242/2280)	1 (M-Key 2242/2260/2280/22110)
SIM Card Holder	No	1 INT	No	No
Audio	Realtek ALC888S	Realtek ALC888S	Realtek ALC662-GR	Realtek ALC888S
Ethernet	1* Intel i219LM GbE 1* Intel i210AT GbE	1* Intel i219LM GbE 1* Intel i211AT GbE	1* Intel i219LM GbE 1* Intel i211AT GbE	1* Intel i219LM GbE 1* Intel i211AT GbE
USB	4 Rear USB 3.1 (Gen.2), 2 Rear USB 2.0, 2 INT USB 3.1 (Gen.1), 4 INT USB 2.0	6 Rear USB 3.1 (Gen.1) 7 INT USB 2.0	4 Rear USB 3.0 2 Rear USB 2.0 3 INT USB 2.0	6 Rear USB 3.0 4 INT USB 2.0
COM	1 Rear RS232/422/485 1 INT RS232/422/485 8 INT RS232	1 Rear RS232/422/485 1 INT RS232/422/485 4 INT RS232	1 Rear RS232/422/485, 1 Rear RS232, 4 INT RS232 (COM1/3/4 : 5V/12V)	1 Rear RS232/422/485, 1 INT RS232/422/485, 8 INT RS232 (5V/12V)
RJ11	No	No	No	No
Parallel	No	No	1 INT	No
HDMI	1 Rear	1 Rear	1 Rear	1 Rear
VGA	1 Rear	1 Rear	1 Rear	No
DVI	1 Rear DVI-D	1 Rear DVI-D	No	1 Rear DVI-D
DisplayPort	1 Rear	1 Rear	No	1 Rear
LVDS / eDP	No	No	No	No
Multiple Display	Triple	Triple	Dual	Triple
PS/2	1 INT	1 INT	1 Rear	1 INT
Expansion Slot	2* PCIe x16, 1* PCIe x4, 1* PCIe x1, 2* PCI	2* PCIe x16 3* PCIe x4 2* PCI	1* PCIe x16, 1* PCIe x4, 1* PCIe x1, 4* PCI	1* PCIe x16, 1* PCIe x8 (share with PCIe x16 slot), 1* PCIe x4, 3* PCIe x1
TPM	TPM2.0 onboard option	TPM2.0 onboard option	TPM2.0 onboard option	TPM1.2 onboard option
SMBus	Yes	Yes	No	Yes
GPIO	8-bit	8-bit	8-bit	8-bit
Power	24pin ATX + 8pin 12V	24pin ATX + 8pin 12V	24pin ATX + 8pin 12V	24pin ATX + 8pin 12V
AT Mode	Yes	Yes	Yes	Yes
Page	132	133	134	135

MI05 Series



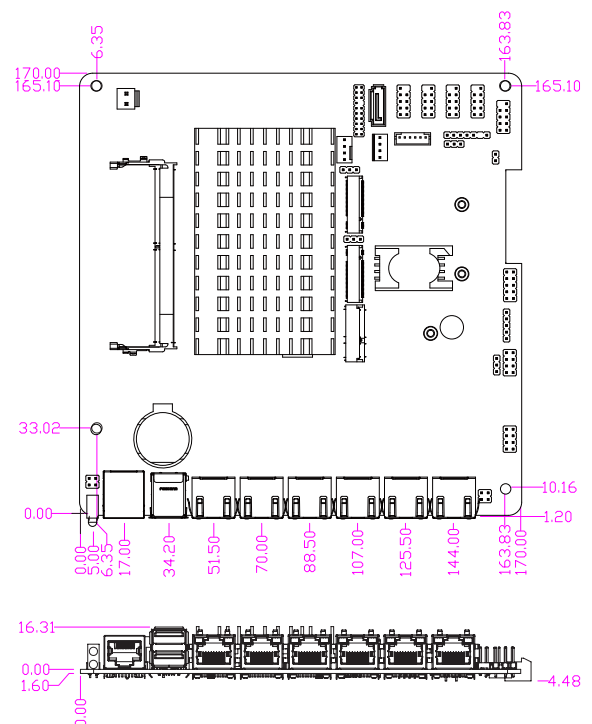
Features

- 1* DDR4 3200MHz SO-DIMM up to 32GB
- 6* 10/100/1000/2500 Base-TX Ethernet Ports
- 1* USB 3.1 (Gen.2), 3* USB 2.0, 1* HDMI
- 1* EXT RS232 (RJ45 type), 2* INT RS232, 1* INT RS232/4228/485
- 1* M.2 E-key (2230), 1* M.2 B-key (3042), 1* SIM card slot
- 1* M.2 M-key (2242), 1* SATAIII, 1* 32GB eMMC (option)
- 12V DC-in
- Slim Mini ITX Form Factor (170 *170 mm)

Photo



Mechanical Dimension (mm)



Specification

Processor/Chipset	Intel® Elkhart Lake J6412 SoC Processor	Rear I/O Port	6* RJ45, 1* RS232 (RJ45 type), 1* USB3.1 (Gen.2), 1* USB 2.0
Memory	1* DDR4 3200MHz SO-DIMM up to 32GB		
Ethernet	6* Intel i225V 2.5GbE		
Graphic	1* HDMI 1.4b up to 3840×2160@30Hz	Internal I/O Port	2* USB2.0, 1* SATAIII, 1* RS232/422/485, 2* RS232, 1* HDMI, 1* PS/2, 1* SMBUS, 1* GPIO, 1* AT mode
Storage	1* SATAIII (6Gb/s), 1* M.2 M-key 2242 (SATA/PCIe Gen.3 x2 interface) support NVMe, 1* 32GB eMMC (MI05-03/MI05-07)	WDT	0~255 Sec./Min. programmable
Expansion Slot	1* M.2 B-key 3042 (USB3.1/PCIe Gen.3 x1 interface) 1* M.2 E-key 2230 (USB2.0/PCIe Gen.3 x1 interface)	Power	12V DC-in
		Temperature	Operating: 0~60°C with 0.7 m/s air flow Storage: -20~85°C
		Dimension	170 * 170mm (6.69" * 6.69")

*The Specification may be changed without further notice.
www.jetwayipc.com

MI05K Series



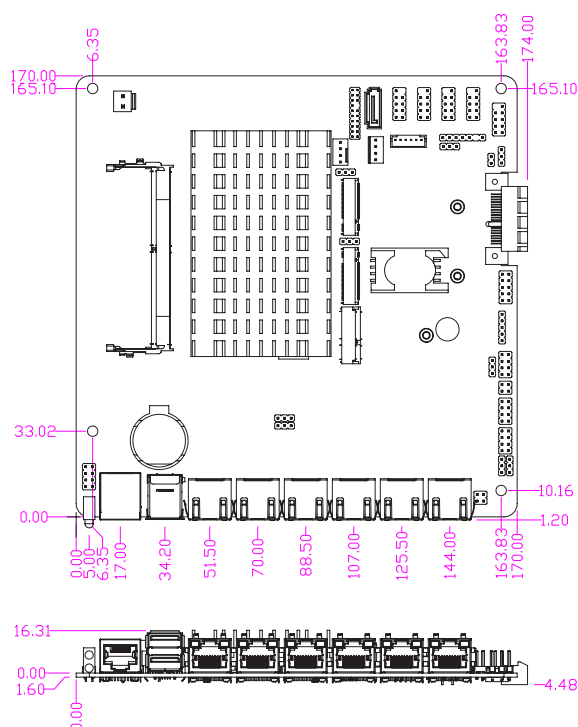
Features

- Intel® Elkhart Lake SoC Processor
- 1* DDR4 3200MHz SO-DIMM up to 32GB
- 6* 10/100/1000/2500 Base-TX Ethernet Ports
- 1* USB 3.1 (Gen.2), 3* USB 2.0, 1* HDMI
- 1* EXT RS232 (RJ45 type), 2* INT RS232, 1* INT RS232/4228/485
- 1* M.2 E-key (2230), 1* M.2 B-key (3042), 1* SIM card slot
- 1* M.2 M-key (2242), 1* SATAIII, 1* 32GB eMMC (option)
- 12V DC-in
- Slim Mini ITX Form Factor (170 *170 mm)

Photo



Mechanical Dimension (mm)



Specification

Processor/Chipset	Intel® Elkhart Lake J6412 SoC Processor	Rear I/O Port	6* RJ45, 1* RS232 (RJ45 type), 1* USB3.1 (Gen.2), 1* USB 2.0
Memory	1* DDR4 3200MHz SO-DIMM up to 32GB	Internal I/O Port	2* USB2.0, 1* SATAIII, 1* RS232/422/485, 2* RS232, 1* HDMI, 1* PS/2, 1* SMBUS, 1* GPIO, 1* AT mode
Ethernet	6* Intel i225V 2.5GbE	Storage	1* SATAIII (6Gb/s), 1* M.2 M-key 2242 (SATA/PCIe Gen.3 x2 interface) support NVMe , 1* 32GB eMMC (MI05-03K/MI05-07K)
Graphic	1* HDMI 1.4b up to 3840×2160@30Hz	WDT	0~255 Sec./Min. programmable
		Power	12V DC IN
		Temperature	Operating: 0~60°C with 0.7 m/s air flow Storage: -20~85°C
Expansion Slot	1* M.2 B-key 3042 (USB3.1 interface) 1* M.2 E-key 2230 (USB2.0/PCIe Gen.3 x1 interface) 1* PCIe x1 (Sideway)	Dimension	170 * 170mm (6.69" * 6.69")

*The Specification may be changed without further notice.
www.jetwayipc.com

JLI1BV-00

intel FC CE RoHS
COMPLIANT

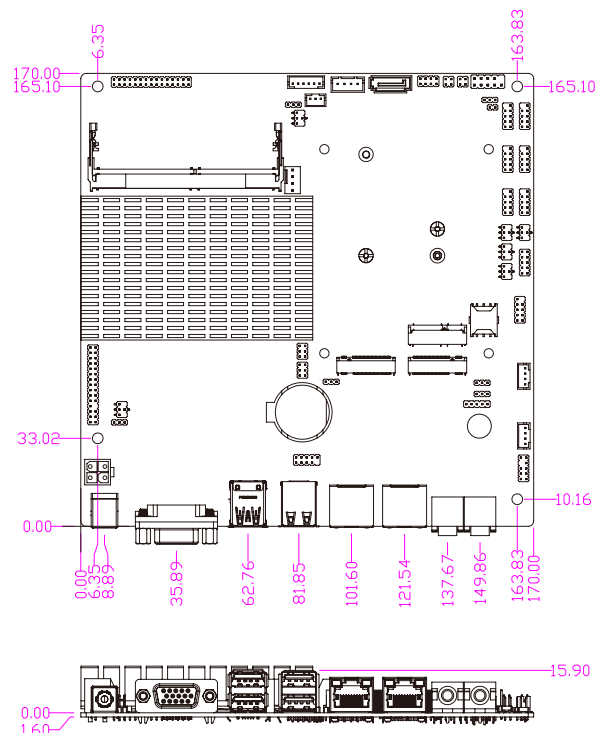
Features

- Intel® Elkhart Lake J6412 2.0GHz/QC Core MCP Processor (Turbo 2.6GHz)
- 1* DDR4 3200MHz up to 32GB
- Realtek HD Audio
- 1* Intel® i225V 2.5GbE
- 1* SATAIII, 1* M.2 (M-key)
- 1* VGA, 1* eDP, 1* LVDS
- 2* RS232/422/485, 4* RS232, 2* USB3.1 (Gen. 1), 7* USB2.0
- 1* M.2 E key Support WIFI/BT Module , 1* M.2 B key Support 4G/5G Module
- 12V DC-in
- Slim Mini ITX Form Factor (170 *170 mm)

Photo



Mechanical Dimension (mm)



Specification

Processor/Chipset	Intel® Elkhart Lake J6412 SoC Processor	Rear I/O Port	1* VGA, 1* RJ45, 2* USB3.1 (Gen. 1), 4* USB2.0, Line-out, MIC, 12V DC-in
Memory	1* DDR4 3200MHz SO-DIMM up to 32GB		
Ethernet	1* Intel i225V 2.5GbE		
Graphic	1* VGA up to 1920×1080@60Hz (Co-lay HDMI), 1* 24-bits Dual CH LVDS up to 1920x1200@60Hz (Co-lay eDP), 1* eDP up to 4096x2160@60Hz (Co-lay LVDS)	Internal I/O Port	3* USB2.0, 2* RS232/422/485, 4* RS232, 1* SATAIII, 1* SATA Power, 1* GPIO (8 bit, 5V), 1* AT mode, 1* I2C/SMBUS, 1* FP_Audio, 1* Speaker, 1* TPM2.0 (Option), 1* CPU FAN
Storage	1* SATAIII (6Gb/s) 1* M.2 M-key (2242/2280)	WDT	0~255 Sec./Min. programmable
Expansion Slot	1* M.2 B-key (3042/3052) 1* M.2 E-key (2230)	Power	12V DC IN
		Temperature	Operating: 0~60°C with 0.7 m/s air flow Storage: -20~85°C
		Dimension	170 * 170mm (6.69" * 6.69")

*The Specification may be changed without further notice.
www.jetwayipc.com

JLI1BV-0L



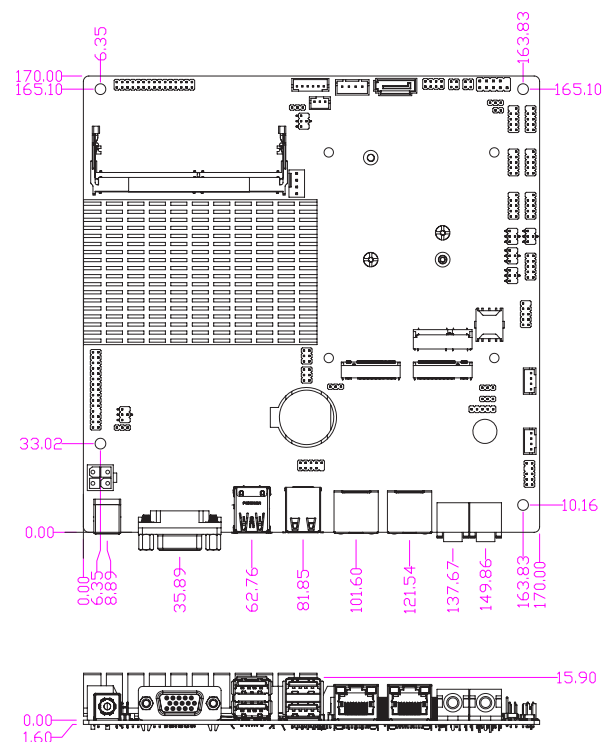
Features

- Intel® Elkhart Lake J6412 2.0GHz/QC Core MCP Processor (Turbo 2.6GHz)
- 1* DDR4 3200MHz up to 32GB
- Realtek HD Audio
- 2* Intel® i225V 2.5GbE
- 1* SATAIII, 1* M.2 (M-key)
- 1* VGA, 1* eDP, 1* LVDS
- 2* RS232/422/485, 4* RS232, 2* USB3.1 (Gen. 1), 7* USB2.0
- 1* M.2 E key Support WIFI/BT Module , 1* M.2 B key Support 4G/5G Module
- 12V DC-in
- Slim Mini ITX Form Factor (170 *170 mm)

Photo



Mechanical Dimension (mm)



Specification

Processor/Chipset	Intel Elkhart Lake J6412	Rear I/O Port	1* VGA, 2* RJ45, 2* USB3.1 (Gen. 1), 2* USB2.0, Line-out, MIC, 12V DC-in
Memory	1* DDR4 3200MHz SO-DIMM up to 32GB		
Ethernet	2* Intel i225V 2.5GbE		
Graphic	1* VGA up to 1920×1080@60Hz (Co-lay HDMI) 1* 24-bits Dual CH LVDS up to 1920×1200@60Hz (Co-lay eDP), 1* eDP up to 4096×2160@60Hz (Co-lay LVDS)	Internal I/O Port	5* USB2.0, 2* RS232/422/485, 4* RS232, 1* SATAIII, 1* SATA Power, 1* GPIO (8 bit, 5V), 1* AT mode, 1* I2C/SMBUS, 1* FP_Audio, 1* Speaker, 1* TPM2.0 (Option), 1* CPU FAN
Storage	1* SATAIII (6Gb/s) 1* M.2 M-key (2242/2280)	WDT	0~255 Sec./Min. programmable
Expansion Slot	1* M.2 B-key (3042/3052) 1* M.2 E-key (2230)	Power	12V DC IN
		Temperature	Operating: 0~60°C with 0.7 m/s air flow Storage: -20~85°C
		Dimension	170 * 170mm (6.69" * 6.69")

*The Specification may be changed without further notice.
www.jetwayipc.com

JLI1S-50

intel FC CE RoHS
COMPLIANT

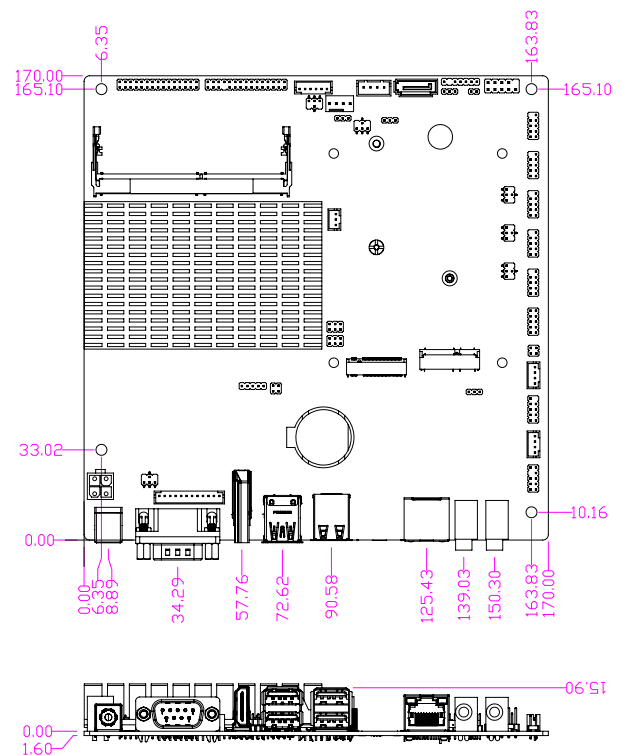
Features

- Intel® Gemini Lake J4125 2.0GHz Quad Core MCP Processor (10W, Turbo 2.7GHz)
- 1* DDR4 2400MHz SO-DIMM up to 8GB
- 2* Realtek® RTL8119I GbE, 1* M.2 E-key support WIFI/BT
- 1* SATAIII, 1* M.2 M-key
- 1* HDMI, 1* eDP, 1* LVDS
- 2* RS232/485, 4* RS232, 2* USB3.0, 5* USB2.0
- 12V DC-in
- Slim Mini ITX Form Factor (170 x 170 mm)

Photo



Mechanical Dimension (mm)



Specification

Processor/Chipset	Intel Gemini Lake J4125 SoC Processor	Rear I/O Port	1* HDMI, 1* RS232, 2* RJ45, 2* USB3.0,
Memory	1* DDR4 2400MHz SO-DIMM up to 8GB		2* USB2.0, Line-out/MIC, 12V DC-in
Ethernet	1* Realtek RTL8119I GbE		
Graphic	1* HDMI1.4 up to 4096x2160@30Hz (Co-lay VGA), 1* 24-bits Dual CH LVDS up to 1920x1200@60Hz (Co-lay eDP), 1* eDP up to 4096x2160@60Hz	Internal I/O Port	3* USB2.0, 2* RS232/485, 2* RS232, 1* SATAIII, 1* SATA power, 8bit GPIO (5V), 1* AT mode, 1* I2C/SMBUS, 1* FP_Audio, 1* speaker, 1* CPU Fan (W/O Smart FAN)
Storage	1* SATAIII (6Gb/s) 1* M.2 M-key (2242/2280)	WDT	0~255 Sec./Min. programmable
Expansion Slot	1* Mini PCIe (full size) 1* M.2 E-key (2230)	Power	12V DC IN
		Temperature	Operating: 0~60°C with 0.7 m/s air flow Storage: -20~85°C
		Dimension	170 * 170mm (6.69" * 6.69")

*The Specification may be changed without further notice.
www.jetwayipc.com

JLI1S-5L



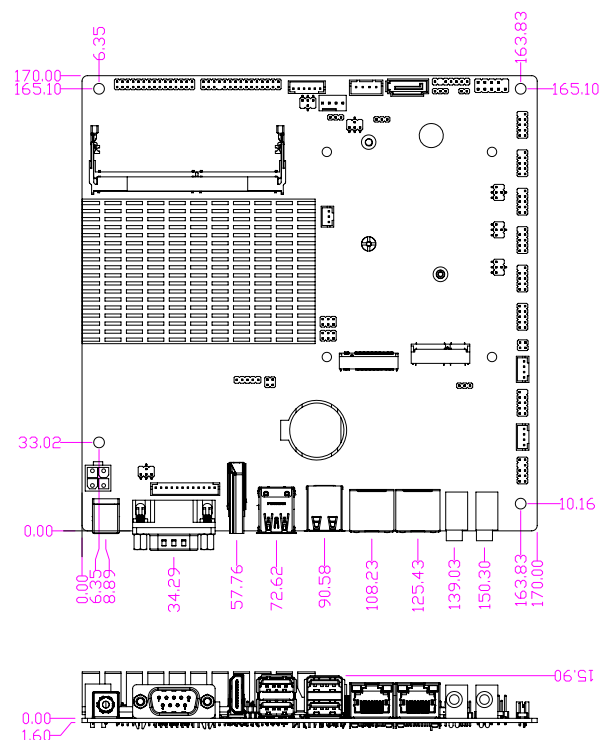
Features

- Intel® Gemini Lake J4125 2.0GHz Quad Core MCP Processor (10W, Turbo 2.7GHz)
- 1* DDR4 2400MHz SO-DIMM up to 8GB
- 2* Realtek® RTL8119I GbE, 1* M.2 E-key support WIFI/BT
- 1* SATAIII, 1* M.2 M-key
- 1* HDMI, 1* eDP, 1* LVDS
- 2* RS232/485, 4* RS232, 2* USB3.0, 5* USB2.0
- 12V DC-in
- Slim Mini ITX Form Factor (170 x 170 mm)

Photo



Mechanical Dimension (mm)



Specification

Processor/Chipset	Intel Gemini Lake J4125 SoC Processor	Rear I/O Port	1* HDMI, 1* RS232, 2* RJ45, 2* USB3.0, 2* USB2.0, Line-out/MIC, 12V DC-in
Memory	1* DDR4 2400MHz SO-DIMM up to 8GB	Internal I/O Port	3* USB2.0, 2* RS232/485, 2* RS232, 1* SATAIII, 1* SATA power, 8bit GPIO (5V), 1* AT mode, 1* I2C/SMBUS, 1* FP_Audio, 1* speaker, 1* CPU Fan (W/O Smart FAN)
Ethernet	2* Realtek RTL8119I GbE	WDT	0~255 Sec./Min. programmable
Graphic	1* HDMI1.4 up to 4096x2160@30Hz (Co-lay VGA) 1* 24-bits Dual CH LVDS up to 1920x1200@60Hz (Co-lay eDP), 1* eDP up to 4096x2160@60Hz	Power	12V DC IN
Storage	1* SATAIII (6Gb/s) 1* M.2 M-key (2242/2280)	Temperature	Operating: 0~60°C with 0.7 m/s air flow Storage: -20~85°C
Expansion Slot	1* M.2 E-key (2230)	Dimension	170 * 170mm (6.69" * 6.69")

*The Specification may be changed without further notice.
www.jetwayipc.com

MI12-00C



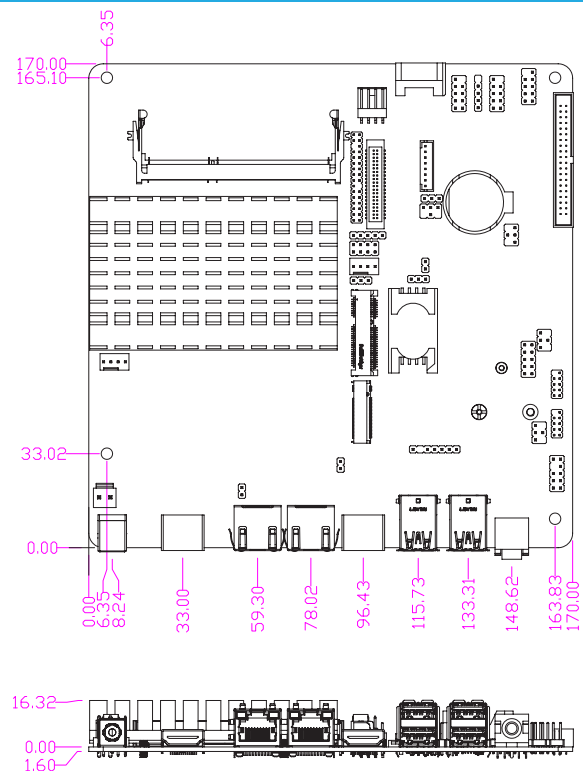
Features

- Intel® Apollo Lake series SoC Processor. (Default J3455)
- 1* DDR3L 1866MHz SO-DIMM up to 8GB
- 2* Realtek RTL8111H GbE
- 2* HDMI, 1* LVDS, 1* eDP, support triple displays
- 6* COM, 4* USB3.0, 5* USB2.0
- 1* Mini PCIe, 1* SIM card slot
- 1* SATAIII, 1* M.2 (M-key, 2242/2260), 1* 32GB eMMC (option)
- 12V DC-in
- Slim Mini ITX Form Factor

Photo



Mechanical Dimension (mm)



Specification

Processor/Chipset	Intel Apollo Lake J3455 SoC Processor	Rear I/O Port	2* RJ45, 4* USB3.0, 2* HDMI, 1* Line-out, 1* DC-in
Memory	1* DDR3L 1866MHz SO-DIMM up to 8GB		
Ethernet	2* Realtek RTL8111H GbE		
Graphic	2* HDMI1.4b up to 3840x2160@30Hz, 1* 24-bits Dual CH LVDS up to 1920x1200@60Hz (selectable with eDP), 1* eDP1.3 up to 3040 × 2160@60Hz (selectable with LVDS)	Internal I/O Port	5* USB2.0, 5* RS232 (COM1~3 with Powered 5V/12V), 1* RS232/422/485, 1* SATAIII, 1* GPIO (4in/4 out), 1* SMBUS, 1* AT mode, 1* PS/2, 1* TPM2.0 (MI12-02C only)
Storage	1* SATAIII (6Gb/s) 1* M.2 M-key (2242/2260) 1* 32GB eMMC (option)	WDT	0~255 Sec./Min. programmable
Expansion Slot	1* Mini PCIe (full size) 1* SIM card slot	Power	12V DC IN
		Temperature	Operating: 0~60°C with 0.7 m/s air flow Storage: -20~85°C
		Dimension	170 * 170mm (6.69" * 6.69")

*The Specification may be changed without further notice.
www.jetwayipc.com

MI12-00L



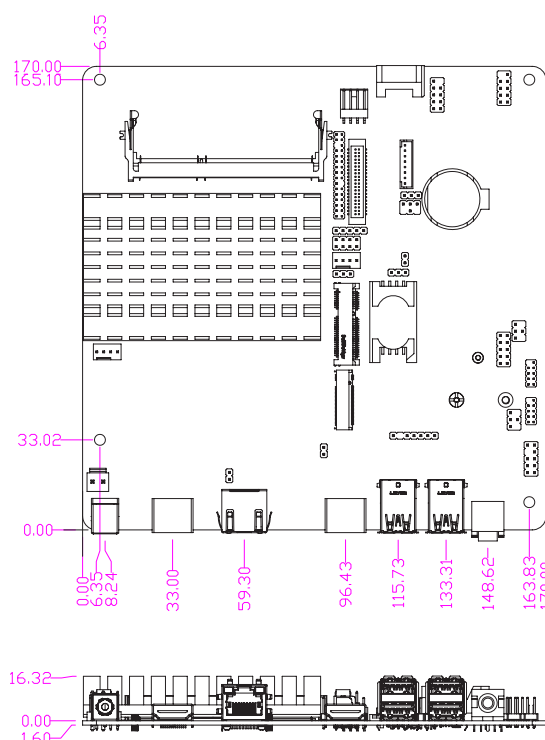
Features

- Intel® Apollo Lake series SoC Processor. (Default J3455)
- 1* DDR3L 1866MHz SO-DIMM up to 8GB
- 1* Realtek RTL8111H GbE
- 2* HDMI, 1* LVDS, 1* eDP, support triple displays
- 2* COM, 4* USB3.0, 2* USB2.0
- 1* Mini PCIe, 1* SIM card slot
- 1* SATA III, 1* M.2 (M-key, 2242/2260), 1* 32GB eMMC (option)
- 12V DC-in
- Slim Mini ITX Form Factor

Photo



Mechanical Dimension (mm)



Specification

Processor/Chipset	Intel Apollo Lake J3455 SoC Processor	Rear I/O Port	1* RJ45, 4* USB3.0, 2* HDMI, 1* Line-out, 1* DC-in
Memory	1* DDR3L 1866MHz SO-DIMM up to 8GB		
Ethernet	1* Realtek RTL8111H GbE		
Graphic	2* HDMI1.4b up to 3840x2160@30Hz, 1* 24-bits Dual CH LVDS up to 1920x1200@60Hz (selectable with eDP), 1* eDP1.3 up to 3040 × 2160@60Hz (selectable with LVDS)	Internal I/O Port	2* USB2.0, 2* RS232 (COM1~2 with Powered 5V/12V), 1* SATAIII, 1* GPIO (4in/4 out), 1* SMBUS, 1* AT mode, 1* PS/2, 1* TPM2.0 (MI12-02L only)
Storage	1* SATAIII (6Gb/s) 1* M.2 M-key (2242/2260) 1* 32GB eMMC (option)	WDT	0~255 Sec./Min. programmable
Expansion Slot	1* Mini PCIe (full size) 1* SIM card slot	Power	12V DC IN
		Temperature	Operating: 0~60°C with 0.7 m/s air flow Storage: -20~85°C
		Dimension	170 * 170mm (6.69" * 6.69")

*The Specification may be changed without further notice.
www.jetwayipc.com

MI12-00V



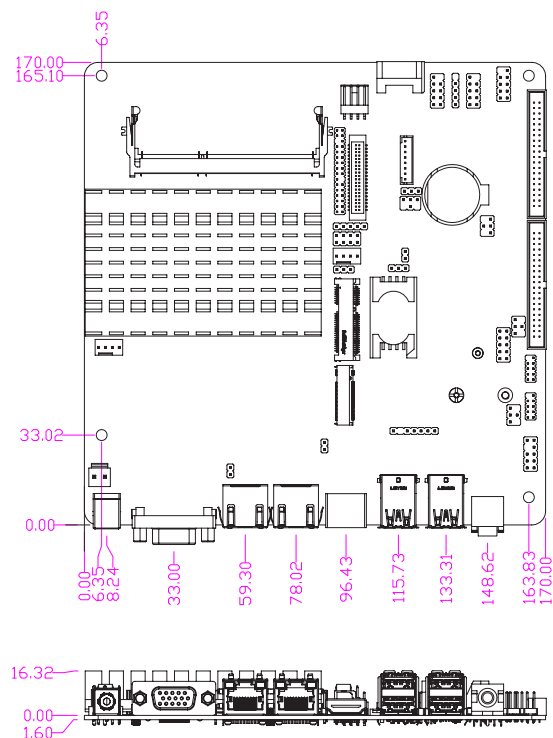
Features

- Intel® Apollo Lake series SoC Processor. (Default J3455)
- 1* DDR3L 1866MHz SO-DIMM up to 8GB
- 2* Realtek RTL8111H GbE
- 1* HDMI, 1* VGA, 1* LVDS, 1* eDP, support triple displays
- 10* COM, 4* USB3.0, 5* USB2.0
- 1* Mini PCIe, 1* SIM card holder
- 1* SATA III (6Gb/s), 1* M.2 (M-key, 2242/2260), 1* 32GB eMMC (option)
- 12V DC-in
- Slim Mini ITX Form Factor

Photo



Mechanical Dimension (mm)



Specification

Processor/Chipset	Intel Apollo Lake J3455 SoC Processor	Rear I/O Port	2* RJ45, 4* USB3.0, 1* HDMI, 1* VGA, 1* Line-out, 1* DC-in
Memory	1* DDR3L 1866MHz SO-DIMM up to 8GB	Internal I/O Port	5* USB2.0, 9* RS232 (COM1~3 with Powered 5V/12V), 1* RS232/422/485 (COM1), 1* GPIO (4in/4 out), 1* SMBUS, 1* AT mode, 1* PS/2, 1* TPM2.0 (MI12-02V optional)
Ethernet	2* Realtek RTL8111H GbE	WDT	0~255 Sec./Min. programmable
Graphic	2* HDMI1.4b up to 3840x2160@30Hz, 1* VGA up to 1920x1080@60Hz, 1* 24-bits Dual CH LVDS up to 1920x1200@60Hz (selectable with eDP), 1* eDP1.3 up to 3040 × 2160@60Hz (selectable with LVDS)	Power	12V DC IN
Storage	1* SATAIII (6Gb/s) 1* M.2 M-key (2242/2260) 1* 32GB eMMC (option)	Temperature	Operating: 0~60°C with 0.7 m/s air flow Storage: -20~85°C
Expansion Slot	1* Mini PCIe (full size) 1* SIM card slot	Dimension	170 * 170mm (6.69" * 6.69")

*The Specification may be changed without further notice.
www.jetwayipc.com

JNF894V-3455



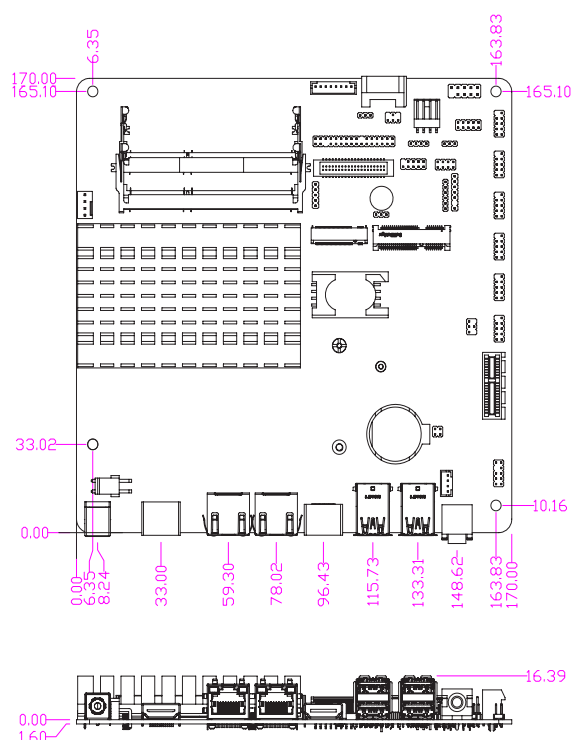
Features

- Intel® Apollo Lake SoC Processor (Default J3455)
- 2* DDR3L SO-DIMM up to 8GB
- Support 2 * HDMI, 1* eDP, 1* LVDS
- 2* 10/100/1000/2500 Base-TX Ethernet Ports
- 6* COM, 4 * USB3.0, 3 * USB2.0
- 1* PCIe x1 slot, 1* Mini PCIe slot (1* full size), 1* M.2 (M-key, 2242/2280)
- Support 1* SATAIII (6Gb/s)
- 9~36V DC-in
- Slim Mini ITX Form Factor

Photo



Mechanical Dimension (mm)



Specification

Processor/Chipset	Intel Apollo Lake J3455 SoC Processor	Rear I/O Port	2* HDMI (1* option w/DP), 2* RJ45, 4* USB3.0, Line-out, 1* DC-in
Memory	2* DDR3L 1866MHz SO-DIMM up to 8GB		
Ethernet	2* Intel i225V 2.5GbE		
Graphic		Internal I/O Port	3* USB2.0, 6* COM (COM1: RS232/422/485 w/power), 1* GPIO, 1* Audio Header, 1* onboard TPM (option)
Storage	1* SATAIII (6Gb/s) 1* M.2 M-key (2242/2280)	WDT	0~255 Sec./Min. programmable
		Power	9-36V DC IN
Expansion Slot	1* Mini PCIe (full size)	Temperature	Operating: 0~60°C with 0.7 m/s air flow Storage: -20~85°C
		Dimension	170 * 170mm (6.69" * 6.69")

*The Specification may be changed without further notice.
www.jetwayipc.com

JNF894V32-3455



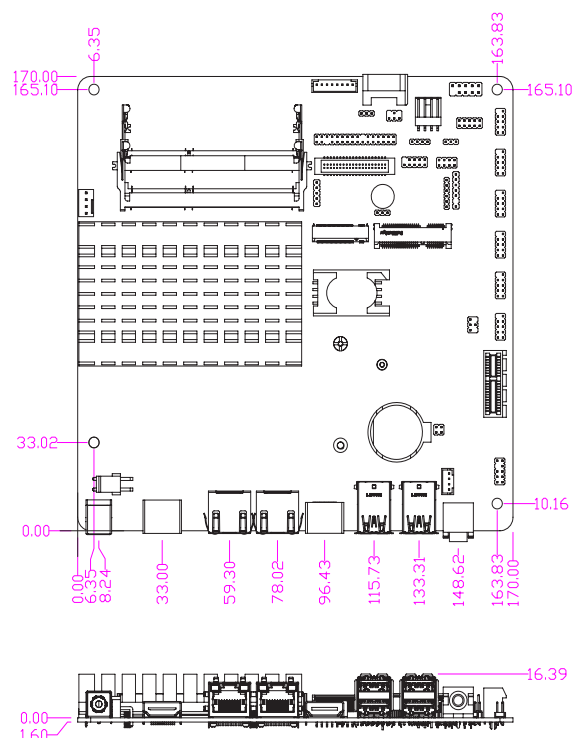
Features

- Intel® Apollo Lake SoC Processor (Default J3455)
- 2* DDR3L SO-DIMM up to 8GB
- Support 2 * HDMI, 1* eDP, 1* LVDS
- 2* 10/100/1000/2500 Base-TX Ethernet Ports
- 6* COM, 4 * USB3.0, 3 * USB2.0
- 1* PCIe x1 slot, 1* Mini PCIe slot (1* full size), 1* M.2 (M-key, 2242/2280)
- Support 1* SATAIII (6Gb/s), 32GB eMMC
- 9~36V DC-in
- Slim Mini ITX Form Factor

Photo



Mechanical Dimension (mm)



Specification

Processor/Chipset	Intel Apollo Lake J3455 SoC Processor	Rear I/O Port	2* HDMI (1* option w/DP), 2* RJ45, 4* USB3.0, Line-out, 1* DC-in
Memory	2* DDR3L 1866MHz SO-DIMM up to 8GB		
Ethernet	2* Intel i225V 2.5GbE		
Graphic	2* HDMI1.4b up to 3840x2160@30Hz, 1* DP1.2 up to 4096x2160@60Hz (option HDMI), 1* Dual CH LVDS up to 1920x1200@60Hz (selectable with eDP), 1* eDP1.3 up to 3040 × 2160@60Hz (selectable with LVDS)	Internal I/O Port	3* USB2.0, 6* COM (COM1: RS232/422/485 w/power), 1* GPIO, 1* Audio Header, 1* onboard TPM (option)
Storage	1* SATAIII (6Gb/s) 1* M.2 M-key (2242/2280) 1* 32GB eMMC	WDT	0~255 Sec./Min. programmable+L20:L24
Expansion Slot	1* Mini PCIe (full size)	Power	9-36V DC IN
		Temperature	Operating: 0~60°C with 0.7 m/s air flow Storage: -20~85°C
		Dimension	170 * 170mm (6.69" * 6.69")

*The Specification may be changed without further notice.
www.jetwayipc.com

JNF692S6-345



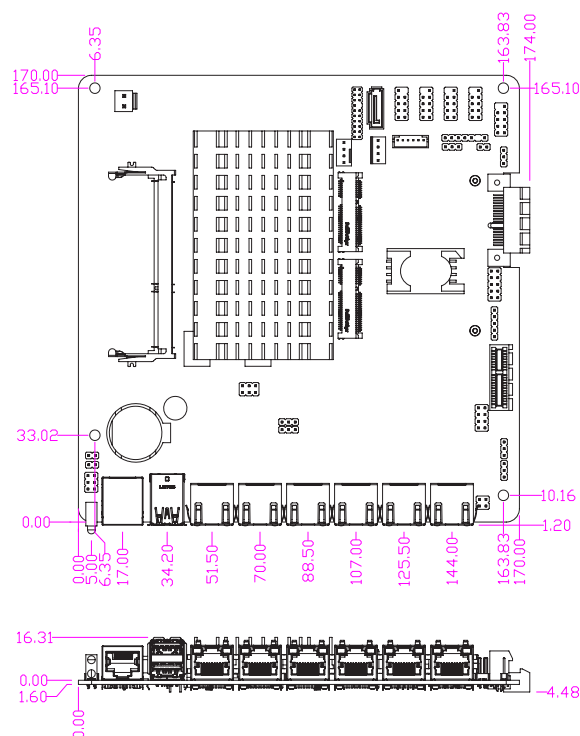
Features

- Intel® Apollo Lake series SoC Processor. Default J3455
- 1* 204-pin DDR3L 1866MHz SO-DIMM up to 8GB
- 6* 10/100/1000 Base-TX Ethernet Ports (support up to 2 pairs ByPass GbE option)
- Support Intel AES-NI and TPM (option) to secure data
- 1* RS232 Console (RJ-45 type), 2* USB3.0, 2* USB2.0, 1* HDMI
- 1* PCIe x1 (sideway), 1* Mini PCIe Slots (full size, USB signal), 1* mSATA (full size), 1* SIM card holder, 1* 32GB eMMC (option)
- 12V DC-in
- Slim Mini ITX Form Factor

Photo



Mechanical Dimension (mm)



Specification

Processor/Chipset	Intel Apollo Lake J3455 SoC Processor	Rear I/O Port	6* RJ45, 2* USB3.0, 1* COM (RJ45 Type), 1* PWR LED, 1* HDD LED
Memory	1* DDR3L 1866MHz SO-DIMM up to 8GB	Internal I/O Port	1* HDMI, 2* USB2.0, 3* COM (COM2: RS232/422/485), 1* GPIO, 1* SIM holder, 12V 2PIN header
Ethernet	6* Intel i211AT GbE	WDT	0~255 Sec./Min. Programmable
Graphic	1* HDMI1.4b up to 3840x2160@30Hz	Power	12V DC-in 2PIN
Storage	1* SATAIII (6Gb/s) 1* mSATA (full size)	Temperature	Operating: 0~60°C with 0.7 m/s air flow Storage: -20~85°C
Expansion Slot	1* PCIe x1 (Sideway) 1* Mini PCIe (full size)	Dimension	170 * 170mm (6.69" * 6.69")

*The Specification may be changed without further notice.
www.jetwayipc.com

NF792R-3160



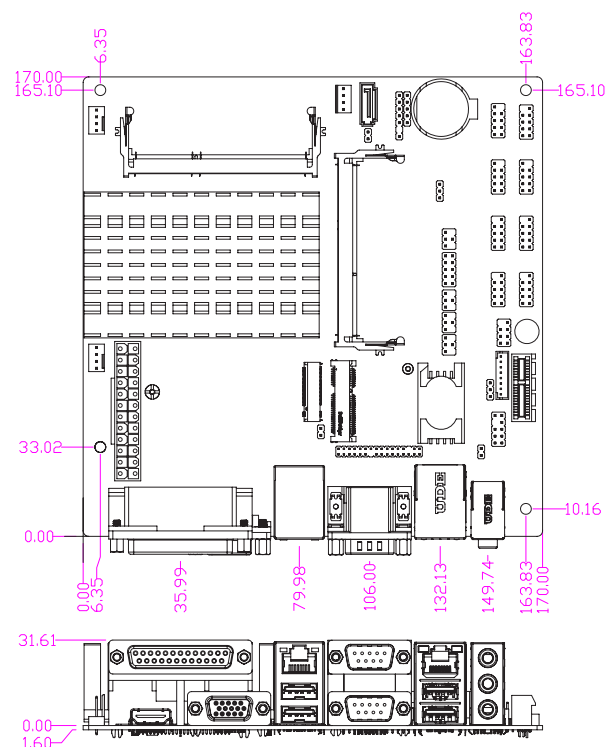
Features

- Intel® Celeron N3160 SoC Processor (TDP 6W)
- 2* 204-pin Dual-channel DDR3L 1600MHz SO-DIMM up to 8 GB
- 2* 10/100/1000 Base-TX Ethernet Ports
- Support Intel AES-NI and TPM (option) to secure customers' data
- 4* COM, 3* USB3.0, 5* USB2.0, 1* HDMI, 1* VGA, 1* LVDS (co-lay with eDP), 1* M.2 (M-key, 2242/2260)
- 1* PCI slot, 1* Mini PCIe slot (1* full size), 1* SIM card slot
- Mini ITX Form Factor

Photo



Mechanical Dimension (mm)



Specification

Processor/Chipset	Intel Braswell N3160 SoC Processor	Rear I/O Port	1* VGA, 1* HDMI, 2* RJ45, 3* USB3.0, 1* USB2.0, 2* COM (COM1: RS232/422/485), 1* Parallel, Line-in, Line-out, MIC
Memory	2* DDR3L 1600MHz SO-DIMM up to 8GB	Internal I/O Port	4* USB2.0, 2* COM, 1* GPIO, 1* Audio header, 1* onboard TPM (option), 1* PS/2
Ethernet	2* Realtek RTL8119I GbE	WDT	0~255 Sec./Min. programmable
Graphic	1* HDMI1.4b up to 3840x2160@30Hz 1* VGA up to 1920x1080@60Hz 1* 24-bits Dual CH LVDS up to 1920x1200@60Hz	Power	24pin ATX
Storage	1* SATAIII (6Gb/s) 1* M.2 M-key (2242/2260)	Temperature	Operating: 0~60°C with 0.7 m/s air flow Storage: -20~85°C
Expansion Slot	1* PCI 1* Mini PCIe (full size) 1* SIM card slot	Dimension	170 * 170mm (6.69" * 6.69")

*The Specification may be changed without further notice.
www.jetwayipc.com

MI97R Series



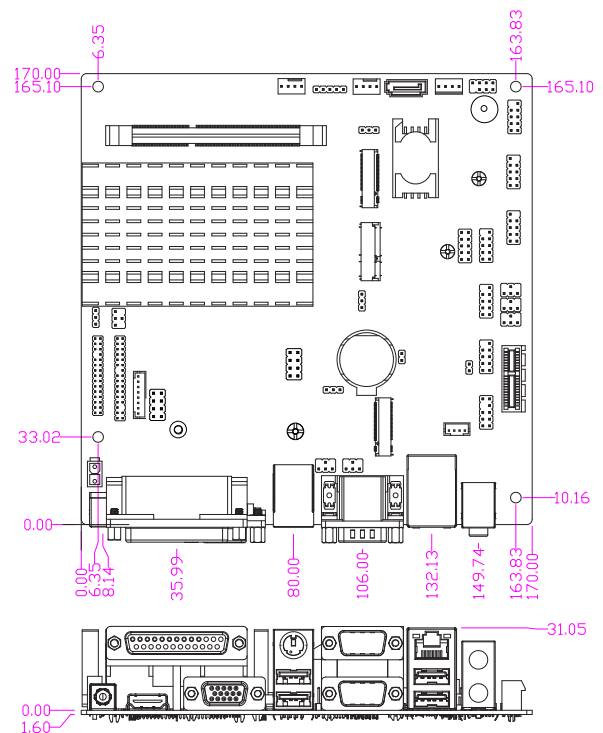
Features

- Support Intel® Bay Trail N2930 SoC Processor
- 1* DDR3L 1333MHz SO-DIMM up to 8GB
- 1* 10/100/1000 Base-TX Ethernet Port
- 1* HDMI, 1* VGA, 1* LVDS (co-layout with eDP)
- 5* COM (COM1 support RS232/422/485), 1* USB3.0, 7* USB2.0
- 1* M.2 M-key 2242/2280 (SATA interface), 1* M.2 E-key 2230 (PCIe x1/USB2.0 interface), 1* M.2 B-key 3042 (USB2.0 interface) W/SIM card holder
- 1* SATA II (3Gb/s)
- Support 12V DC-in PWR
- 1* PCIe x1 slot
- Support TPM2.0 (MI97R32)

Photo



Mechanical Dimension (mm)



Specification

Processor/Chipset	Intel Bay Trail N2930 SoC Processor	Rear I/O Port	1* USB3.0, 3* USB2.0, 1* HDMI, 1* VGA, 1* RJ45, 2* COM (COM1: RS232/422/485), 1* Parallel, Line-out, MIC, 1* DC-in, 1* PS/2
Memory	1* DDR3L 1333MHz SO-DIMM up to 8GB	Internal I/O Port	4* USB2.0, 3* COM, 1* GPIO, 1* Audio Header, TPM2.0 onboard (MI97R32)
Ethernet	1* Realtek RTL8119I GbE	Storage	1* SATAII (3Gb/s)
Graphic	1* HDMI up to 1920x1200@60Hz, 1* VGA up to 1920x1080@60Hz, 1* 24-bits Dual CH LVDS up to 1920x1200@60Hz, 1* eDP up to 2560x1600@60Hz, Co-layout with LVDS	WDT	0~255 Sec./Min. programmable
Expansion Slot	1* PCIe x1 slot	Power	12V DC IN
	1* M.2 E-key 2230 (PCIe x1/USB2.0 interface)	Temperature	Operating: 0~60°C with 0.7 m/s air flow Storage: -20~85°C
	1* M.2 B-key 3042 (USB2.0 interface) W/SIM card slot	Dimension	170 * 170mm (6.69" * 6.69")

*The Specification may be changed without further notice.
www.jetwayipc.com

NF9U-2930



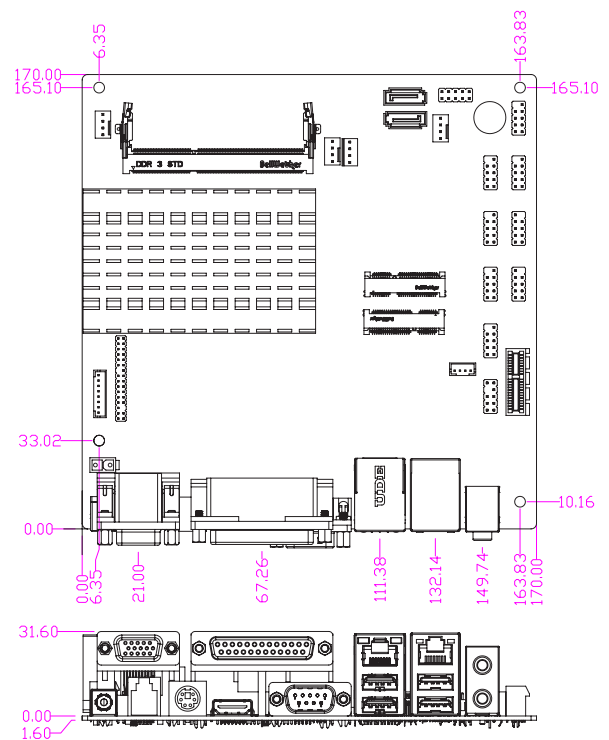
Features

- Intel® Bay Trail N2930 SoC Processor
- Supports 1* DDR3L 1333MHz Dual CH up to 8GB
- Supports 2* Serial ATAll (3Gb/s) Devices
- 2* Realtek GbE
- 1* Mini-PCIe, 1* PCIe x1 slot
- 1* External COM (RS232/422/485), 5* Internal COM (RS232)
- 1* USB 3.0, 7* USB 2.0
- 1* VGA, 1* HDMI, 1* 24-bit Dual channel LVDS
- 1* RJ11 port, 1* parallel port
- 9V~24V wide range DC-in
- Support TPM2.0 (NF9U-2932 only)

Photo



Mechanical Dimension (mm)



Specification

Processor/Chipset	Intel Bay Trail N2930 SoC Processor	Rear I/O Port	1* VGA, 1* HDMI, 2* RJ45, 1* USB3.0, 3* USB2.0, 1* RS232/422/485, Line-out, MIC, 1* PS/2, 1* Parallel, 1* RJ11, 1* DC-in
Memory	1* DDR3L 1333MHz SO-DIMM up to 8GB	Internal I/O Port	4* USB2.0, 5* COM, 1* GPIO, 1* Audio Header
Ethernet	2* Realtek RTL8111H GbE	WDT	0~255 Sec./Min. programmable
Graphic	1* HDMI up to 1920x1200@60Hz 1* VGA up to 1920x1080@60Hz 1* 24-bits Dual CH LVDS up to 1920x1200@60Hz	Power	9~24V DC IN
Storage	2* SATAII (3Gb/s) 1* mSATA (full size)	Temperature	Operating: 0~60°C with 0.7 m/s air flow Storage: -20~85°C
Expansion Slot	1* PCIe x1 1* Mini PCIe (half size)	Dimension	170 * 170mm (6.69" * 6.69")

*The Specification may be changed without further notice.
www.jetwayipc.com

NF9M-2930

intel FC CE RoHS
COMPLIANT

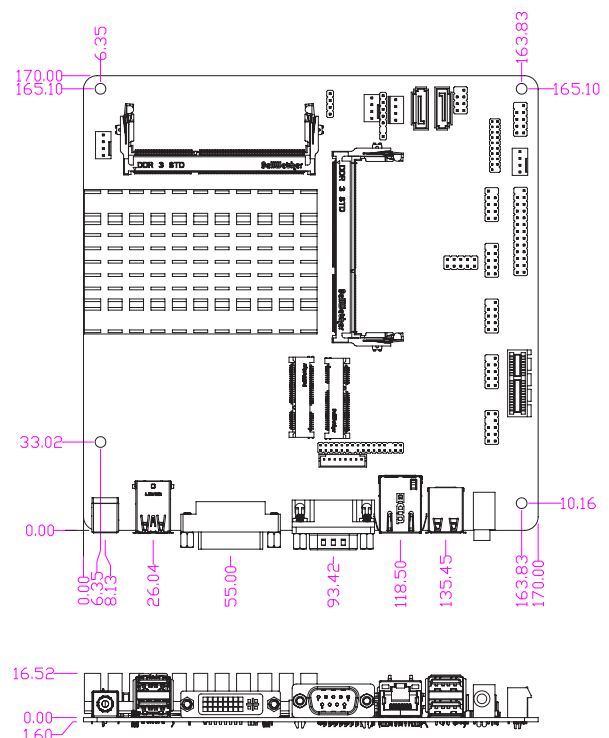
Features

- Support Intel Quad Core N2930 SoC Processor
- Supports 2* DDR3L 1333/1066MHz Dual CH up to 8GB
- Supports DVI-I
- Supports 1* PCIe x1 and 1* Mini PCIe
- Supports 3* USB3.0, 5* USB2.0, 4* COMs
- Slim Mini ITX Form Factor
- Support Wide Voltage 9~36V DC-in

Photo



Mechanical Dimension (mm)



Specification

Processor/Chipset	Intel Bay Trail N2930	Rear I/O Port	1* DVI-I, 1* RJ45, 1* USB3.0, 3* USB2.0,
Memory	2* DDR3L 1333MHz SO-DIMM up to 8GB		1* RS232/422/485, 1* Line-out, 1* DC-in
Ethernet	1* Realtek RTL8111H GbE		
Graphic	1* DVI-I up to 1920x1080@60Hz	Internal I/O Port	2* USB3.0, 2* USB2.0, 1* LVDS, 3* COM,
	1* 24-bits Dual CH LVDS up to 1920x1200@60Hz		1* GPIO, 1* Parallel, 1* PS/2
Storage	2* SATAII, 1* mSATA (full size, shared SATA2)		
		WDT	0~255 Sec./Min. programmable
Expansion Slot	1* PCIe x1, 1* Mini PCIe (full size)	Power	9~36V DC IN
		Temperature	Operating: -20~70°C w/0.7 m/s air flow
			Storage: -40~70°C
		Dimension	170 * 170mm (6.69" * 6.69")

*The Specification may be changed without further notice.
www.jetwayipc.com

NF9HG-2930



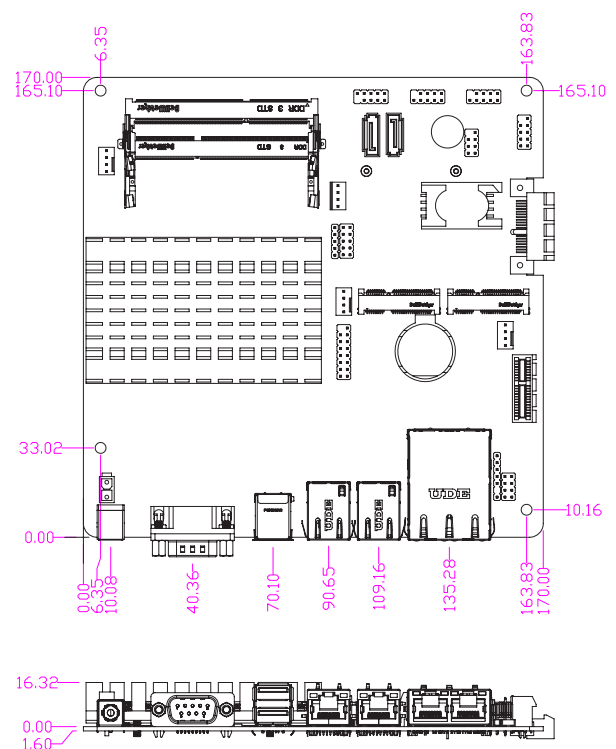
Features

- Supports 2 * DDR3L 1333/1066MHz Dual CH up to 8GB
- Support 2 * Serial ATAII (3Gb/s) Devices
- 4 * Intel i211AT GbE, SIM card holder
- 1 * Mini PCIe, 1 * mSATA, 1 * PCIe x1
- 1 * External COM (RS232), 1 * Internal COM (RS232), 1 * USB 3.0, 5 * USB 2.0
- TPM2.0 option
- Slim Mini-ITX Form Factor (170mm * 170mm)

Photo



Mechanical Dimension (mm)



Specification

Processor/Chipset	Intel Bay Trail N2930 SoC Processor	Rear I/O Port	4* RJ45, 1* USB3.0, 1* USB2.0, 1* COM, 1* DC-in
Memory	2* DDR3L 1333MHz SO-DIMM up to 8GB		
Ethernet	4* Intel i211AT GbE		
Graphic	1* VGA up to 1920x1200@60Hz	Internal I/O Port	4* USB2.0, 1* COM, 1* VGA, 1* GPIO, 1* SIM card holder, 1* TPM2.0 (option), 1* PS/2
Storage	2* SATAII (3Gb/s) 1* mSATA (full size, shared Mini PCIe)	WDT	0~255 Sec./Min. programmable
Expansion Slot	1* PCIe x1 (Erect or sideways option) 1* Mini PCIe (full size) 1* SIM card slot	Power	12V DC IN
		Temperature	Operating: 0~60°C with 0.7 m/s air flow Storage: -20~85°C
		Dimension	170 * 170mm (6.69" * 6.69")

*The Specification may be changed without further notice.
www.jetwayipc.com

NF9HB-2930

intel FC CE RoHS
COMPLIANT

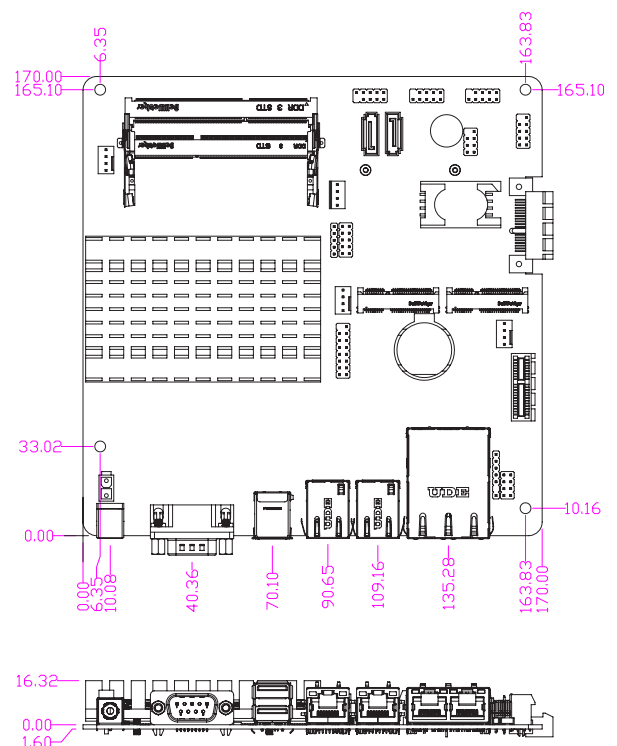
Features

- Supports 2 * DDR3L 1333/1066MHz Dual CH up to 8GB
- Support 2 * Serial ATAII (3Gb/s) Devices
- 4 * Intel GbE, SIM card holder
- 1 * Mini PCIe, 1 * mSATA, 1 * PCIe x1
- 1 * External COM (RS232), 1 * Internal COM (RS232), 1 * USB 3.0, 5 * USB 2.0
- Slim Mini-ITX Form Factor (170mm * 170mm)

Photo



Mechanical Dimension (mm)



Specification

Processor/Chipset	Intel Bay Trail N2930 SoC Processor	Rear I/O Port	4* RJ45 (1 pair support ByPass), 1* USB3.0, 1* USB2.0, 1* COM, 1* DC-in
Memory	2* DDR3L 1333MHz SO-DIMM up to 8GB	Internal I/O Port	4* USB2.0, 1* COM, 1* VGA, 1* GPIO, 1* SIM card holder, 1* TPM2.0 (option), 1* PS/2
Ethernet	4* Intel i211AT GbE, Two for ByPass	Storage	2* SATAII (3Gb/s) 1* mSATA (full size, shared Mini PCIe)
Graphic	1* VGA up to 1920x1080@60Hz	WDT	0~255 Sec./Min. programmable
		Power	12V DC IN
Expansion Slot	1* PCIe x1 (Erect or sideways option) 1* Mini PCIe (full size) 1* SIM card slot	Temperature	Operating: 0~60°C with 0.7 m/s air flow Storage: -20~85°C
		Dimension	170 * 170mm (6.69" * 6.69")

*The Specification may be changed without further notice.
www.jetwayipc.com

IMB-1900-2L



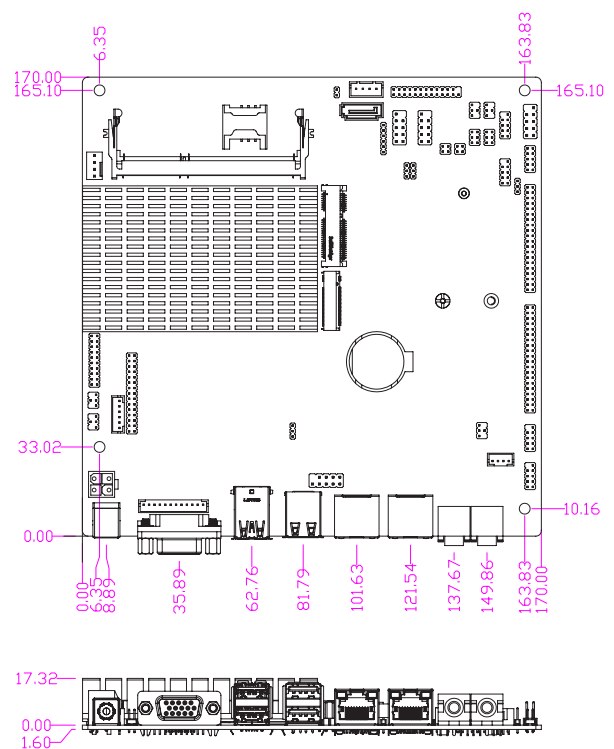
Features

- 1* 204-pin SO-DIMM up to 8GB DDR3L 1333 MHz SDRAM
- Supports 1* VGA, 1* HDMI, 1* LVDS
- Supports 1* Mini PCIe
- Supports 1* USB3.0, 9* USB2.0, 12* COM
- Slim Mini ITX Form Factor

Photo



Mechanical Dimension (mm)



Specification

Processor/Chipset	Intel Bay Trail J1900 SoC Processor	Rear I/O Port	1* VGA, 2* GbE, 1* USB3.0, 3* USB2.0, Line-out, MIC, 1* DC-in
Memory	1* DDR3L 1333MHz SO-DIMM up to 8GB		
Ethernet	2* Realtek RTL8111H GbE		
Graphic	1* HDMI up to 1920x1200@60Hz 1* VGA up to 1920x1080@60Hz 1* 24-bits Dual CH LVDS up to 1920x1200@60Hz	Internal I/O Port	1* VGA, 1* HDMI, 6* USB2.0, 2* RS232/422/485, 10* RS232, 1* GPIO, 1* Parallel, 1* PS/2
Storage	1* SATAII (3Gb/s) 1* M.2 M-key (2242/2260)	WDT	N/A
Expansion Slot	1* Mini PCIe (full size) 1* SIM card slot	Power	12V DC IN
		Temperature	Operating: 0~60°C with 0.7 m/s air flow Storage: -20~85°C
		Dimension	170 * 170mm (6.69" * 6.69")

*The Specification may be changed without further notice.
www.jetwayipc.com

NLBT-I1900



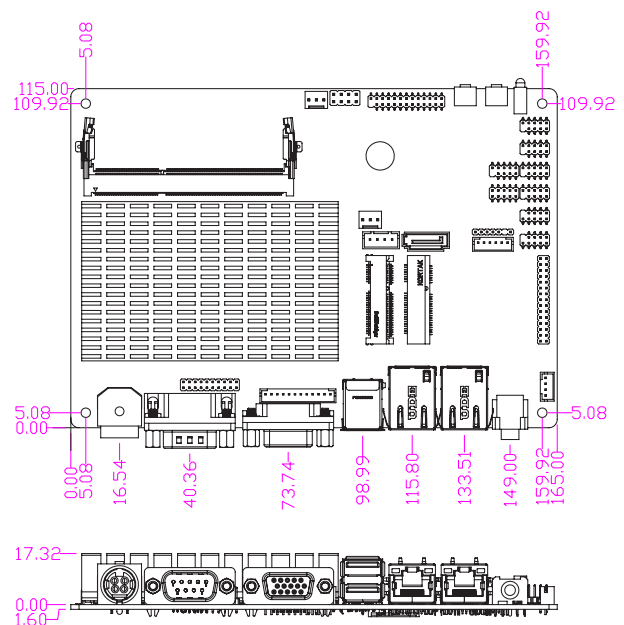
Features

- INTEL Bay Trail J1900 Quad Core processor
- 1* DDR3L 1333MHz SO-DIMM up to 8GB
- Support 1* GbE, 1* USB3.0
- Support 1* Mini PCIe, 1* mSATA
- Support Amplifier function(3W)
- Slim Mini ITX Form Factor

Photo



Mechanical Dimension (mm)



Specification

Processor/Chipset	Intel Bay Trail J1900 SoC Processor	Rear I/O Port	1* VGA, 1* RJ45, 1* USB3.0, 3* USB2.0,
Memory	1* DDR3L 1333MHz SO-DIMM up to 8GB		1* COM, Line-out, 1* DC-in
Ethernet	1* Realtek RTL8111H GbE		
Graphic	1* HDMI up to 1920x1200@60Hz 1* VGA up to 1920x1080@60Hz 1* 24-bits Dual CH LVDS up to 1920x1200@60Hz	Internal I/O Port	2* USB 2.0, 1* RS422/RS485, 4* RS232, 1* PS2, 1* VGA, 1* GPIO, 1* Audio header, 1* HDMI_SPDIF header
Storage	1* SATAII (3Gb/s) 1* mSATA (full size, shared Mini PCIe)	WDT	0~255 Sec./Min. programmable
Expansion Slot	1* PCIe x1 1* Mini PCIe (full size)	Power	4pin 12V DC IN
		Temperature	Operating: 0~60°C with 0.7 m/s air flow Storage: -20~85°C
		Dimension	170 * 170mm (6.69" * 6.69")

*The Specification may be changed without further notice.
www.jetwayipc.com

NLBT-I1900-2L



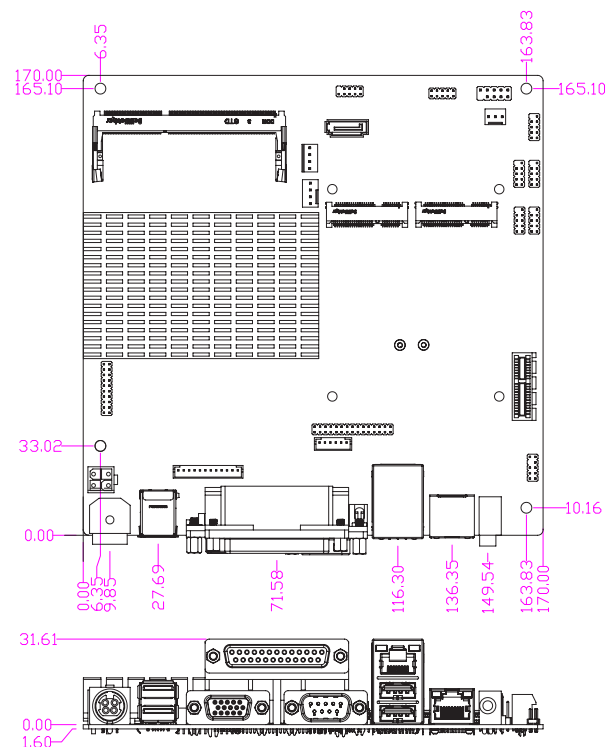
Features

- INTEL Bay Trail J1900 Quad Core processor
- 1* DDR3L 1333MHz SO-DIMM up to 8GB
- Support 2* GbE, 1* USB3.0, 1* Parallel port
- Support 1* Mini PCIe, 1* mSATA
- Support Amplifier function(3W)
- Mini ITX Form Factor

Photo



Mechanical Dimension (mm)



Specification

Processor/Chipset	Intel Bay Trail J1900 SoC Processor	Rear I/O Port	1* VGA, 2* RJ45, 1* USB3.0, 3* USB2.0, 1* COM, Line-out, 1* Parallel, 1* DC-in
Memory	1* DDR3L 1333MHz SO-DIMM up to 8GB	Internal I/O Port	2* USB 2.0, 1*RS422/RS485, 4* RS232, 1* PS2, 1* VGA, 1* GPIO, 1* Audio header, 1* HDMI_SPDIF header
Ethernet	2* Realtek RTL8111H GbE	WDT	0~255 Sec./Min. programmable
Graphic	1* HDMI up to 1920x1200@60Hz 1* VGA up to 1920x1080@60Hz 1* 24-bits Dual CH LVDS up to 1920x1200@60Hz	Power	4pin 12V DC IN
Storage	1* SATAII (3Gb/s) 1* mSATA (full size)	Temperature	Operating: 0~60°C with 0.7 m/s air flow Storage: -20~85°C
Expansion Slot	1* PCIe x1 1* Mini PCIe (full size)	Dimension	170 * 170mm (6.69" * 6.69")

*The Specification may be changed without further notice.
www.jetwayipc.com

JLI1N-00



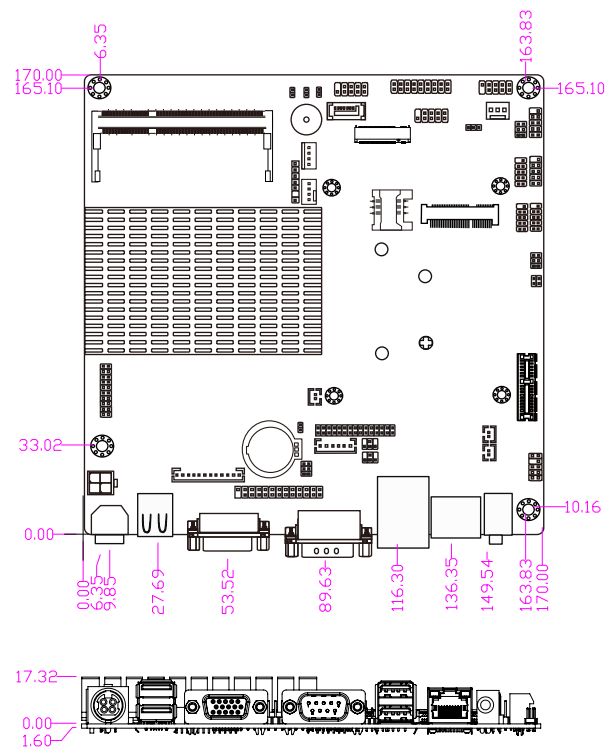
Features

- Intel® Bay Trail J1900 2.0GHz/QC Core MCP Processor (Turbo 2.42GHz)
- 1* DDR3L 1333MHz up to 8GB
- 1* Realtek® RTL8119I GbE
- 1* SATAII, 1*M.2 (M-key)
- 1* VGA, 1* HDMI, 1* LVDS
- 1* RS232/422/485, 5* RS232, 1*USB3.0, 7* USB2.0
- 1* Mini PCIe Support WIFI/BT/4G Module
- 1* M.2 M-key (2242/2280, SATA interface) support SSD
- 12V DC-in
- Thin Mini ITX Form Factor

Photo



Mechanical Dimension (mm)



Specification

Processor/Chipset	Intel Bay Trail J1900 SoC Processor	Rear I/O Port	1* VGA, 1* RJ45, 1* USB3.0, 3* USB2.0,
Memory	1* DDR3L 1333MHz SO-DIMM up to 8GB		1* COM, Line-out, 1* DC-in
Ethernet	1* Realtek RTL8119I GbE		
Graphic	1* HDMI up to 1920x1200@60Hz	Internal I/O Port	4* USB2.0, 1* RS232/422/485, 4* RS232,
	1* VGA up to 1920x1080@60Hz		1* 16bit GPIO (Co-lay Parallel), 1* VGA
	1* 24-bits Dual CH LVDS up to 1920x1200@60Hz		header
Storage	1* SATAII (3Gb/s)		
	1* M.2 M-key (2242/2280)	WDT	0~255 Sec./Min. programmable
Expansion Slot	1* PCIe x1	Power	4pin 12V DC IN
	1* Mini PCIe (full size)	Temperature	Operating: 0~60°C with 0.7 m/s air flow
	1* SIM card slot		Storage: -20~85°C
		Dimension	170 * 170mm (6.69" * 6.69")

*The Specification may be changed without further notice.
www.jetwayipc.com

JLI1N-0L

intel FC CE RoHS
COMPLIANT

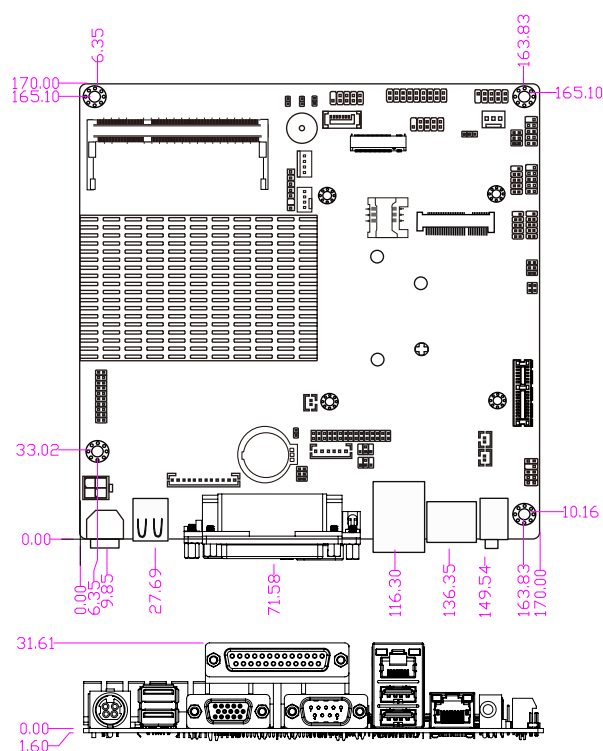
Features

- Intel® Bay Trail J1900 2.0GHz/QC Core MCP Processor (Turbo 2.42GHz)
- 1* DDR3L 1333MHz up to 8GB
- 2* Realtek® RTL8119I GbE
- 1* SATAII, 1*M.2 (M-key)
- 1* VGA, 1* HDMI, 1* LVDS
- 1* RS232/422/485, 5* RS232, 1*USB3.0, 7* USB2.0, 1* Parallel
- 1* Mini PCIe Support WIFI/BT/4G Module
- 1* M.2 M-key (2242/2280) support SSD
- 12V DC-in
- Thin Mini ITX Form Factor

Photo



Mechanical Dimension (mm)



Specification

Processor/Chipset	Intel Bay Trail J1900 SoC Processor	Rear I/O Port	1* VGA, 2* RJ45, 1* USB3.0, 3* USB2.0, 1* COM, Line-out, 1* Parallel, 1* DC-in
Memory	1* DDR3L 1333MHz SO-DIMM up to 8GB		
Ethernet	2* Realtek RTL8119I GbE		
Graphic	1* HDMI up to 1920x1200@60Hz 1* VGA up to 1920x1080@60Hz 1* 24-bits Dual CH LVDS up to 1920x1200@60Hz	Internal I/O Port	4* USB2.0, 1* RS232/422/485, 4* RS232, 1* 16bit GPIO (Co-lay Parallel), 1* VGA header
Storage	1* SATAII (3Gb/s) 1* M.2 M-key (2242/2280)	WDT	0~255 Sec./Min. programmable
Expansion Slot	1* PCIe x1 1* Mini PCIe (full size)	Power	4pin 12V DC IN
		Temperature	Operating: 0~60°C with 0.7 m/s air flow Storage: -20~85°C
		Dimension	170 * 170mm (6.69" * 6.69")

*The Specification may be changed without further notice.
www.jetwayipc.com

MI215H6100 Series

Features



- Intel® 12th/13th LGA1700 Socket Processor (Max. 65W TDP sunder 180A) W/Intel® H610/H610E Chipset
- 2* DDR5 4800MHz SO-DIMM up to 64GB
- 1* PCIe x16 (Gen.4)
- 1* M.2 M-key support NVMe, 1* M.2 E-key support CNVi, 1* M.2 B-key support 4G/5G module
- 2* HDMI, 2* DP, 1* LVDS/eDP support Triple displays
- 2* RS232/422/485, 4* RS232, 1* USB3.2(Gen.2), 2* USB3.2 (Gen.1), 5* USB2.0, 2* 2.5GbE
- 2* SATAIII support RAID 0/1
- TPM2.0 (MI215H6102)
- Support wide voltage 12V~36V DC-in

Photo

Mechanical Dimension (mm)

Coming Soon

Specification

Processor/Chipset	Intel LGA1700 Socket Processor with H610/H610E chipset	Rear I/O Port	1* USB3.2 (Gen.2), 2* USB3.2 (Gen.1),
Memory	2* Dual CH DDR5 4800MHz SO-DIMM up to 64GB		1* USB2.0, 2* 2.5GbE, 2* HDMI 2.0b,
			2* DP1.4a, 1* Audio jack (Line-out/MIC
Ethernet	2* Intel i226V 2.5GbE		combo), 1* 12V~36V DC-in jack
		Internal I/O Port	4* USB 2.0, 2* RS232/422/485, 4* RS232,
Graphic	2* HDMI 2.0b up to 4096x2160@60Hz, 2* DP1.4a		2* SATAIII, 1* Audio header, 1* SIM card
	up to 7680x3840@60Hz, 1* 24-bits Dual CH LVDS		slot, 1* GPIO, 1* SMBUS, 1* AT mode
	up to 1920x1200@60Hz (default, option with eDP)		
Storage	2* SATAIII (6Gb/s) support RAID 0/1		
	1* M.2 M-key 2242/2280 (SATA/PCIe Gen.3 x4	WDT	0~255 Sec./Min. programmable
	interface) support NVMe	Power	4pin 12V DC IN
Expansion Slot	1* M.2 E-key 2230 (PCIe x1/USB2.0 interface)	Temperature	Operating: 0~60°C with 0.7 m/s air flow
	support CNVi		Storage: -20~85°C
	1* M.2 B-key 3042/3052 (USB3.1/USB2.0/PCIe x1		
	interface)	Dimension	170 * 170mm (6.69" * 6.69")

*The Specification may be changed without further notice.
www.jetwayipc.com

MI215Q6700 Series



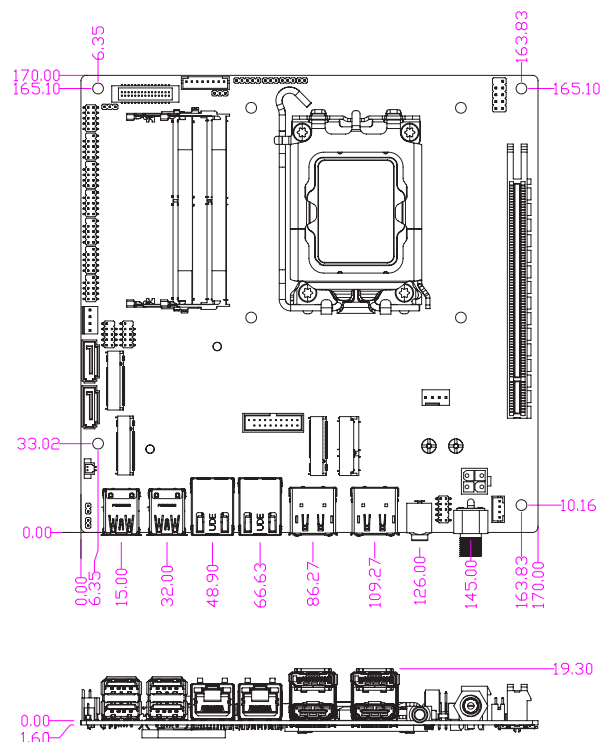
Features

- Intel® 12th/13th LGA1700 Socket Processor (Max. 65W TDP sunder 180A) W/Intel® Q670E Chipset
- 2* DDR5 4800MHz SO-DIMM up to 64GB
- 1* PCIe x16 (Gen.4)
- 2* M.2 M-key support NVMe, 1* M.2 E-key support CNVi, 1* M.2 B-key support 4G/5G module
- 2* HDMI, 2* DP, 1* LVDS/eDP support Quad displays
- 2* RS232/422/485, 4* RS232, 4* USB3.2(Gen.2), 2* USB3.2 (Gen.1), 4* USB2.0, 2* 2.5GbE
- 2* SATAIII support RAID 0/1
- TPM2.0 (MI215Q6702)
- Support wide voltage 12V~36V DC-in

Photo



Mechanical Dimension (mm)



Specification

Processor/Chipset	Intel LGA1700 Socket Processor with Q670E chipset	Rear I/O Port	4* USB3.2 (Gen.2), 2* 2.5GbE, 2* HDMI 2.0b, 2* DP1.4a, 1* Audio jack (Line-out/MIC combo), 1* 12V~36V DC-in jack
Memory	2* Dual CH DDR5 4800MHz SO-DIMM up to 64GB	Internal I/O Port	2* USB3.2 (Gen.1), 4* USB 2.0, 2* RS232/422/485, 4* RS232, 2* SATAIII, 1* Audio header, 1* SIM card slot, 1* GPIO, 1* SMBUS, 1* AT mode
Ethernet	1* Intel i226-LM 2.5GbE 1* Intel i226V 2.5GbE	WDT	0~255 Sec./Min. programmable
Graphic	2* HDMI 2.0b up to 4096x2160@60Hz, 2* DP1.4a up to 7680x3840@60Hz, 1* 24-bits Dual CH LVDS up to 1920x1200@60Hz (default, option with eDP)	Power	4pin 12V DC IN
Storage	2* SATAIII (6Gb/s) support RAID 0/1, 1* M.2 M-key 2242 (PCIe Gen.4 x4 interface) support NVMe, 1* M.2 M-key 2242/2280 (SATA/PCIe Gen.3 x4 interface) support NVMe	Temperature	Operating: 0~60°C with 0.7 m/s air flow Storage: -20~85°C
Expansion Slot	1* M.2 E-key 2230 (PCIe x1/USB2.0 interface) support CNVi 1* M.2 B-key 3042/3052 (USB3.1/USB2.0/PCIe x1 interface)	Dimension	170 * 170mm (6.69" * 6.69")

*The Specification may be changed without further notice.
www.jetwayipc.com

MI215R6800 Series



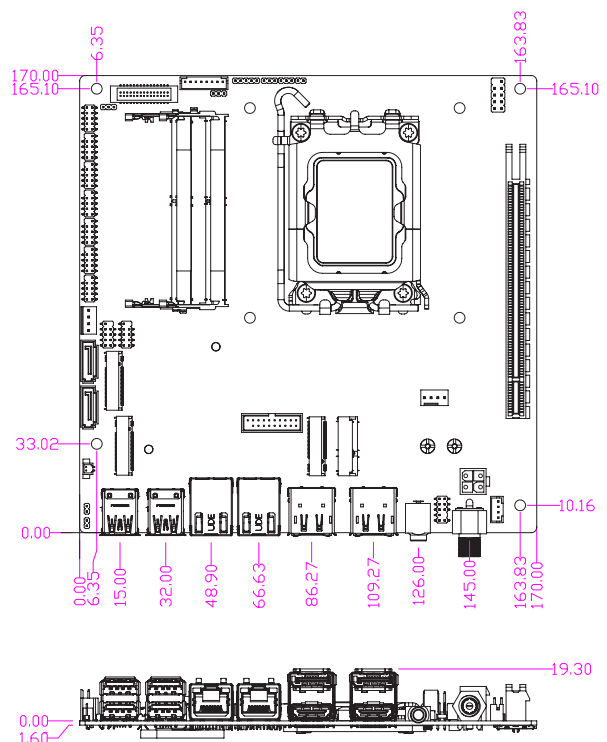
Features

- Intel® 12th/13th LGA1700 Socket Processor (Max. 65W TDPs under 180A) W/Intel® R680E Chipset
- 2* DDR5 4800MHz SO-DIMM up to 64GB W/ECC
- 1* PCIe x16 (Gen.4)
- 2* M.2 M-key support NVMe, 1* M.2 E-key support CNVi, 1* M.2 B-key support 4G/5G module
- 2* HDMI, 2* DP, 1* LVDS/eDP support Quad displays
- 2* RS232/422/485, 4* RS232, 4* USB3.2(Gen.2), 2* USB3.2 (Gen.1), 4* USB2.0, 2* 2.5GbE
- 2* SATAIII support RAID 0/1
- TPM2.0 (MI215R6802)
- Support wide voltage 12V~36V DC-in

Photo



Mechanical Dimension (mm)



Specification

Processor/Chipset	Intel LGA1700 Socket Processor with R680E chipset	Rear I/O Port	4* USB3.2 (Gen.2), 2* 2.5GbE, 2* HDMI
Memory	2* Dual CH DDR5 4800MHz SO-DIMM up to 64GB W/ECC		2.0b, 2* DP1.4a, 1* Audio jack (Line-out/ MIC combo), 1* 12V~36V DC-in jack
Ethernet	1* Intel i226-LM 2.5GbE 1* Intel i226V 2.5GbE	Internal I/O Port	2* USB3.2 (Gen.1), 4* USB 2.0, 2* RS232/422/485, 4* RS232, 2* SATAIII, 1* Audio header, 1* SIM card slot, 1* GPIO, 1* SMBUS, 1* AT mode
Graphic	2* HDMI 2.0b up to 4096x2160@60Hz, 2* DP1.4a up to 7680x3840@60Hz, 1* 24-bits Dual CH LVDS up to 1920x1200@60Hz (default, option with eDP)	WDT	0~255 Sec./Min. programmable
Storage	2* SATAIII (6Gb/s) support RAID 0/1, 1* M.2 M-key 2242 (PCIe Gen.4 x4 interface) support NVMe, 1* M.2 M-key 2242/2280 (SATA/PCIe Gen.3 x4 interface) support NVMe	Power	4pin 12V DC IN
Expansion Slot	1* M.2 E-key 2230 (PCIe x1/USB2.0 interface) support CNVi 1* M.2 B-key 3042/3052 (USB3.1/USB2.0/PCIe x1 interface)	Temperature	Operating: 0~60°C with 0.7 m/s air flow Storage: -20~85°C
	Dimension		170 * 170mm (6.69" * 6.69")

*The Specification may be changed without further notice.
www.jetwayipc.com

MI225H6100 Series

intel FC CE RoHS
COMPLIANT

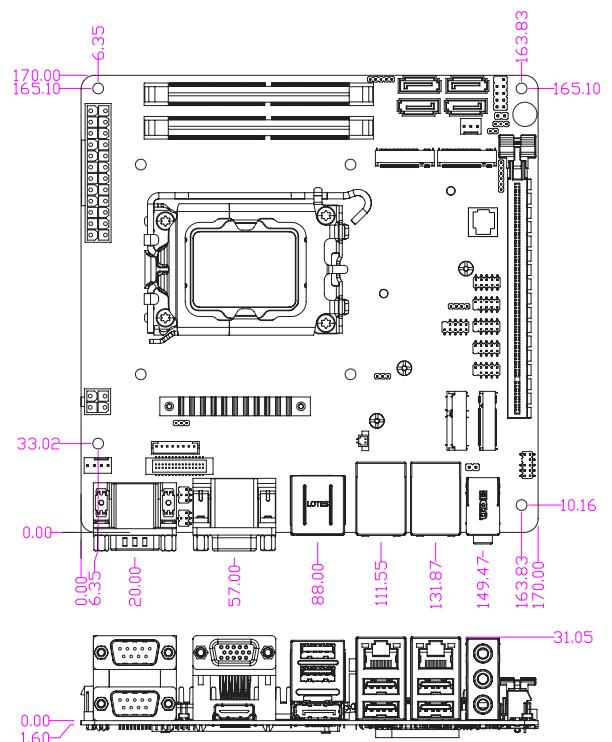
Features

- Intel® 12th/13th LGA1700 Socket Processor (Max. 65W TDPs under 180A) W/Intel® H610 Chipset
- 2* DDR5 4800MHz SO-DIMM up to 64GB
- 1* GbE & 1* 2.5GbE
- 1* HDMI, 1* DP, 1* VGA, 1* LVDS/eDP
- 6* COM (COM1 support RS232/422/485)
- 2* USB3.2 (Gen.2), 2* USB3.2 (Gen.1), 5* USB2.0
- 1* PCIe Gen.4 x16 slot, 1*M.2 M-Key (2280) support NVMe, 1*M.2 E-Key (2230) support CNVi, 1*M.2 B-key (3042) support 4G Module
- 4* SATAIII (6Gb/s)
- Support onboard TPM2.0 (MI225H6102)

Photo



Mechanical Dimension (mm)



Specification

Processor/Chipset	Intel LGA1700 Socket Processor with H610/H610E chipset	Rear I/O Port	1* HDMI, 1* DP, 1* VGA, 1* GbE, 1* 2.5GbE, 2* USB3.2 (Gen.2), 2* USB3.2 (Gen.1), 2* USB2.0, 1* RS232/422/485, 1* RS232, Line-in, Line-out, MIC
Memory	2* Dual CH DDR5 4800MHz SO-DIMM up to 64GB	Internal I/O Port	3* USB2.0, 4* SATAIII, 4* COM (RS232), 1* SIM slot, 1* PS/2, 1* GPIO (8 bit), 1* Audio header, 1* SMBUS, 1* AT mode, TPM2.0 (MI225H6102)
Ethernet	1* Intel i226V 2.5GbE	WDT	0~255 Sec./Min. programmable
Graphic	1* Intel i219V GbE	Power	24pin ATX + 4pin 12V
	1* HDMI 2.0b up to 4096x2160@60Hz, 2* DP1.4a up to 7680x3840@60Hz, 1* VGA up to 1920x1080@60Hz, 1* 24-bits Dual CH LVDS up to 1920x1200@60Hz (default, option with eDP)	Temperature	Operating: 0~60°C with 0.7 m/s air flow Storage: -20°C ~ 85°C
Storage	4* SATAIII (6Gb/s)	Dimension	170 * 170mm (6.69" * 6.69")
	1* M.2 M-Key 2280 (PCIe Gen.3 x4 interface) support NVMe		
Expansion Slot	1* M.2 E-Key 2230 (USB2.0/PCIe Gen.3 x1 interface) support CNVi		
	1* M.2 B-key 3042 (PCIe Gen.3 x1 interface)		
	1* PCIe Gen.4 x16		

*The Specification may be changed without further notice.
www.jetwayipc.com

MI225Q6700 Series

intel FC CE RoHS
COMPLIANT

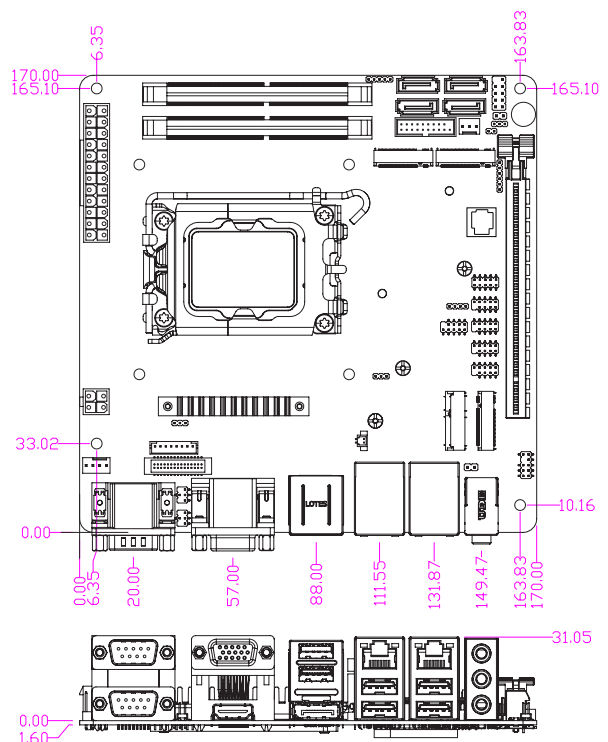
Features

- Intel® 12th/13th LGA1700 Socket Processor (Max. 65W TDPs under 180A) W/Intel® Q670E Chipset
- 2* DDR5 4800MHz SO-DIMM up to 64GB
- 1* GbE & 1* 2.5GbE
- 1* HDMI, 1* DP, 1* VGA, 1* LVDS/eDP
- 6* COM (COM1 support RS232/422/485)
- 6* USB3.2 (Gen.2), 2* USB3.2 (Gen.1), 3* USB2.0
- 1* PCIe Gen.4 x16 slot, 1*M.2 M-Key (2280) support NVMe, 1*M.2 M-Key (2242) support NVMe, 1*M.2 E-Key (2230) support CNVi, 1*M.2 B-key (3042) support 4G Module
- 4* SATAIII (6Gb/s) support RAID 0,1,5,10
- Support onboard TPM2.0 (MI225Q6702)

Photo



Mechanical Dimension (mm)



Specification

Processor/Chipset	Intel LGA1700 Socket Processor with Q670E chipset	Rear I/O Port	1* HDMI, 1* DP, 1* VGA, 1* GbE, 2* 2.5GbE,
Memory	2* Dual CH DDR5 4800MHz SO-DIMM up to 64GB		6* USB3.2 (Gen.2), 1* RS232/422/485,
			1* RS232, Line-in, Line-out, MIC
Ethernet	1* Intel i226V 2.5GbE		
	1* Intel i219LM GbE	Internal I/O Port	2* USB3.2 (Gen.1), 3* USB2.0,
Graphic	1* HDMI 2.0b up to 4096x2160@60Hz, 2* DP1.4a up to 7680x3840@60Hz, 1* VGA up to 1920x1080@60Hz, 1* 24-bits		4* SATAIII, 4* COM (RS232), 1* SIM slot, 1* PS/2, 1* GPIO (8 bit), 1* Audio header, 1* SMBUS, 1* AT mode, TPM2.0 (MI225Q6702)
	Dual CH LVDS up to 1920x1200@60Hz (default, option with eDP)	WDT	0~255 Sec./Min. programmable
Storage	4* SATAIII (6Gb/s) support RAID 0/1/5/10, 1* M.2 M-Key 2280 (PCIe Gen.3 x4 interface) support NVMe, 1* M.2 M-Key 2242 (PCIe Gen.4 x4/SATA interface) support NVMe	Power	24pin ATX + 4pin 12V
Expansion Slot	1* M.2 E-Key 2230 (USB2.0/PCIe Gen.3 x1 interface) support CNVi	Temperature	Operating: 0~60°C with 0.7 m/s air flow Storage: -20°C ~ 85°C
	1* M.2 B-key 3042 (PCIe Gen.3 x1/USB3.2 Gen.2/USB2.0 interface), 1* PCIe Gen.4 x16	Dimension	170 * 170mm (6.69" * 6.69")

*The Specification may be changed without further notice.
www.jetwayipc.com

MI225R6800 Series



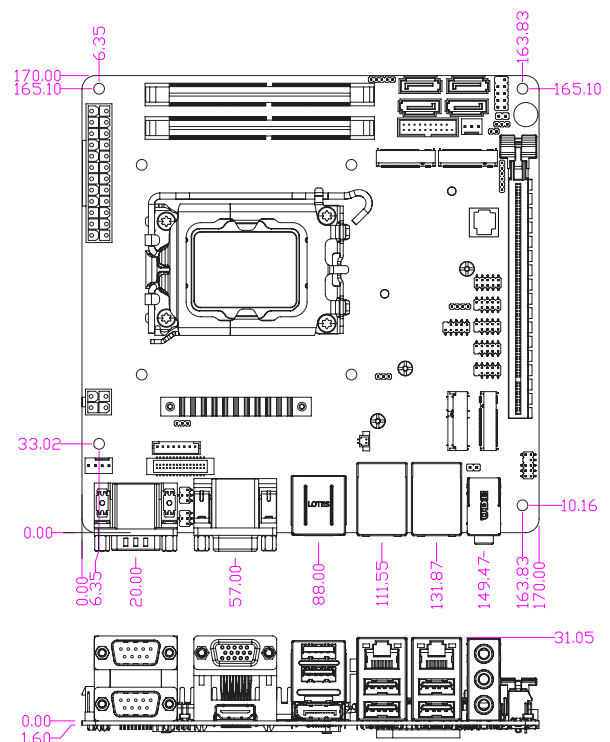
Features

- 1. Intel® 12th/13th LGA1700 Socket Processor (Max. 65W TDPs under 180A) W/Intel® Q670E Chipset
- 2* DDR5 4800MHz SO-DIMM up to 64GB W/ECC
- 1* GbE & 1* 2.5GbE
- 1* HDMI, 1* DP, 1* VGA, 1* LVDS/eDP
- 6* COM (COM1 support RS232/422/485)
- 6* USB3.2 (Gen.2), 2* USB3.2 (Gen.1), 3* USB2.0
- 1* PCIe Gen.4 x16 slot, 1*M.2 M-Key (2280) support NVMe, 1*M.2 M-Key (2242) support NVMe, 1*M.2 E-Key (2230) support CNVi, 1*M.2 B-key (3042) support 4G Module
- 4* SATAIII (6Gb/s) support RAID 0,1,5,10
- Support onboard TPM2.0 (MI225R6802)

Photo



Mechanical Dimension (mm)



Specification

Processor/Chipset	Intel LGA1700 Socket Processor with R680E chipset	Rear I/O Port	1* HDMI, 1* DP, 1* VGA, 1* GbE, 2* 2.5GbE, 6* USB3.2 (Gen.2), 1* RS232/422/485, 1* RS232, Line-in, Line-out, MIC
Memory	2* Dual CH DDR5 4800MHz SO-DIMM up to 64GB support ECC	Internal I/O Port	2* USB3.2 (Gen.1), 3* USB2.0, 4* SATAIII, 4* COM (RS232), 1* SIM slot, 1* PS/2, 1* GPIO(8 bit), 1* Audio header, 1* SMBUS, 1* AT mode, TPM2.0 (MI225R6802)
Ethernet	1* Intel i226V 2.5GbE 1* Intel i219LM GbE	WDT	0~255 Sec./Min. programmable
Graphic	1* HDMI 2.0b up to 4096x2160@60Hz, 2* DP1.4a up to 7680x3840@60Hz, 1* VGA up to 1920x1080@60Hz, 1* 24-bits Dual CH LVDS up to 1920x1200@60Hz (default, option with eDP)	Power	24pin ATX + 4pin 12V
Storage	4* SATAIII (6Gb/s) support RAID 0/1/5/10, 1* M.2 M-Key 2280 (PCIe Gen.3 x4 interface) support NVMe, 1* M.2 M-Key 2242 (PCIe Gen.4 x4/SATA interface) support NVMe	Temperature	Operating: 0~60°C with 0.7 m/s air flow Storage: -20°C ~ 85°C
Expansion Slot	1* M.2 E-Key 2230 (USB2.0/PCIe Gen.3 x1 interface) support CNVi 1* M.2 B-key 3042 (PCIe Gen.3 x1/USB3.2 Gen.2/USB2.0 interface), 1* PCIe Gen.4 x16	Dimension	170 * 170mm (6.69" * 6.69")

*The Specification may be changed without further notice.
www.jetwayipc.com

MI23-H6100 Series

intel FC CE RoHS COMPLIANT

Features

- Intel® LGA1700 Socket supports 12th Gen. Core Processor (Max. 65W)
- Intel® H610E Chipset
- 2* DDR5 4800MHz SO-DIMM up to 64GB
- 4* SATAIII (6Gb/s)
- 1* M.2 (M-key), 1* M.2 (E-key), 1* M.2 (B-key)
- 6* 2.5GbE, 3* RS232
- 2* USB3.2 (Gen.2), 1* USB3.2 (Gen.1), 5* USB2.0
- 24pin ATX + 4pin 12V
- ATX Power Input
- Support onboard TPM 2.0 (MI23-H6102)

Photo



Mechanical Dimension (mm)

Coming Soon

Specification

Processor/Chipset	Intel LGA1700 Socket Processor with H610/H610E chipset	Rear I/O Port	2* USB3.2 (Gen.2), 1* USB3.2 (Gen.1),
Memory	2* Dual CH DDR5 4800MHz SO-DIMM up to 64GB		1* USB2.0, 6* RJ45 2.5GbE, 1* RS232 (RJ45 type), Power Button, Power LED
Ethernet	1* Intel i225-LM 2.5GbE	Internal I/O Port	4* USB2.0, 4* SATAIII, 2* RS232,
	5* Intel i225V 2.5GbE		1* HDMI, 1* PS/2, 1* SIM card slot,
Graphic	1* HDMI 1.4b up to 3840×2160@30Hz		1* GPIO, 1* SMBUS, 1* AT mode, TPM2.0 (MI23-H6102)
Storage	4* SATAIII (6Gb/s)	WDT	0~255 Sec./Min. programmable
	1* M.2 M-key 2242 (SATA interface)	Power	24pin ATX + 4pin 12V
Expansion Slot	1* M.2 E-key 2230 (USB2.0/PCIe x1 interface)	Temperature	Operating: 0~60°C with 0.7 m/s air flow
	support CNVi		Storage: -20°C ~ 85°C
	1* M.2 B-key 3042 (USB3.2 Gen.1/USB2.0/PCIe x1 interface)	Dimension	170 * 170mm (6.69" * 6.69")

*The Specification may be changed without further notice.
www.jetwayipc.com

MI23-Q6700 Series

intel FC CE RoHS COMPLIANT

Features

- Intel® LGA1700 Socket supports 12th Gen. Core Processor (Max. 65W)
- Intel® Q670E Chipset
- 2* DDR5 4800MHz SO-DIMM up to 64GB
- 4* SATAIII support RAID 0, 1, 5, 10
- 2* M.2 (M-key), 1* M.2 (E-key), 1* M.2 (B-key)
- 8* 2.5GbE, 3* RS232, 1* PCIe4
- 2* USB3.2 (Gen.2), 2* USB3.2 (Gen.1), 4* USB2.0
- 24pin ATX + 4pin 12V
- ATX Power Input
- Support onboard TPM 2.0 (MI23-R6802, MI23-Q6702)

Photo



Mechanical Dimension (mm)

Coming Soon

Specification

Processor/Chipset	Intel LGA1700 Socket Processor with Q670E chipset	Rear I/O Port	2* USB3.2 (Gen.2), 2* USB3.2 (Gen.1), 8* RJ45 2.5GbE, 1* RS232 (RJ45 type), Power Button, Power LED
Memory	2* Dual CH DDR5 4800MHz SO-DIMM up to 64GB	Internal I/O Port	4* USB2.0, 4* SATAIII, 2* RS232, 1* HDMI, 1* PS/2, 1* SIM card slot, 1* GPIO, 1* SMBUS, 1* AT mode
Ethernet	1* Intel i225-LM 2.5GbE		
Graphic	7* Intel i225V 2.5GbE 1* HDMI 1.4b up to 3840×2160@30Hz		
Storage	4* SATAIII (6Gb/s) support RAID 0/1/5/10, 1* M.2 M-key 2242/2280 (PCIe Gen.4 x4/SATA interface), 1* M.2 M-key 2280 (PCIe Gen.4 x4/SATA interface) support NVMe	WDT	0~255 Sec./Min. programmable
Expansion Slot	1* M.2 E-key 2230 (USB2.0/PCIe x1 interface) support CNVi, 1* M.2 B-key 3042 (USB3.2 Gen.1/USB2.0/PCIe x1 interface), 1* PCIe Gen.4 x4 (Sideway)	Power	24pin ATX + 4pin 12V
		Temperature	Operating: 0~60°C with 0.7 m/s air flow Storage: -20°C ~ 85°C
		Dimension	170 * 170mm (6.69" * 6.69")

*The Specification may be changed without further notice.
www.jetwayipc.com

MI23-R6800 Series



Features

- Intel® LGA1700 Socket supports 12th Gen. Core Processor (Max. 65W)
- Intel® R680E Chipset
- 2* DDR5 4800MHz SO-DIMM up to 64GB (W/ECC)
- 4* SATAIII support RAID 0, 1, 5, 10
- 2* M.2 (M-key), 1* M.2 (E-key), 1* M.2 (B-key)
- 8* 2.5GbE, 3* RS232, 1* PCIe4
- 2* USB3.2 (Gen.2), 2* USB3.2 (Gen.1), 4* USB2.0
- 24pin ATX + 4pin 12V
- ATX Power Input
- Support onboard TPM 2.0 (MI23-R6802, MI23-R6802)

Photo



Mechanical Dimension (mm)

Coming Soon

Specification

Processor/Chipset	Intel LGA1700 Socket Processor with R680E chipset	Rear I/O Port	2* USB3.2 (Gen.2), 2* USB3.2 (Gen.1),
Memory	2* Dual CH DDR5 4800MHz SO-DIMM up to 64GB support ECC		8* RJ45 2.5GbE, 1* RS232 (RJ45 type), Power Button, Power LED
Ethernet	1* Intel i225-LM GbE	Internal I/O Port	4* USB2.0, 4* SATAIII, 2* RS232,
	7* Intel i225V 2.5GbE		1* HDMI, 1* PS/2, 1* SIM card slot, 1* GPIO, 1* SMBUS, 1* AT mode
Graphic	1* HDMI 1.4b up to 3840×2160@30Hz		
Storage	4* SATAIII (6Gb/s) support RAID 0/1/5/10, 1* M.2 M-key 2242/2280 (PCIe Gen.4 x4/SATA interface), 1* M.2 M-key 2280 (PCIe Gen.4 x4/SATA interface) support NVMe	WDT	0~255 Sec./Min. programmable
Expansion Slot	1* M.2 E-key 2230 (USB2.0/PCIe x1 interface) support CNVi, 1* M.2 B-key 3042 (USB3.2 Gen.1/ USB2.0/PCIe x1 interface), 1* PCIe Gen.4 x4 (Sideway)	Power	24pin ATX + 4pin 12V
		Temperature	Operating: 0~60°C with 0.7 m/s air flow Storage: -20°C ~ 85°C
		Dimension	170 * 170mm (6.69" * 6.69")

*The Specification may be changed without further notice.
www.jetwayipc.com

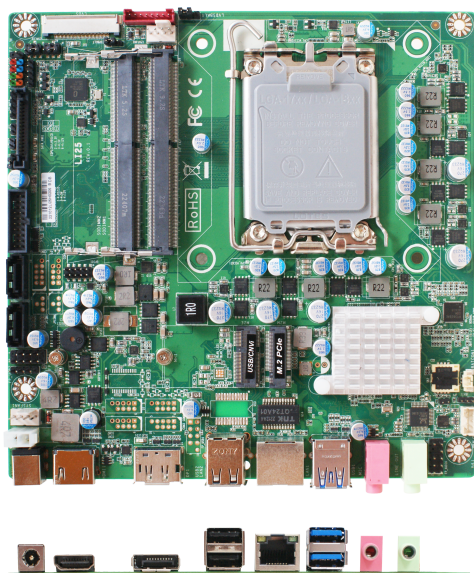
LI25-H6100

intel FC CE RoHS
COMPLIANT

Features

- Intel® 12th/13th LGA1700 Socket Processor (Max.65W TDP)
- Intel® Alder Lake-S H610 Chip
- 2* DDR4 3200MHz UDIMM up to 64GB
- 1*HDMI, 1*DP, 1*LVDS or eDP
- 1*GbE
- 2* USB3.2 (Gen.2), 2*USB3.2(Gen.1), 5*USB2.0
- 1*M.2 M-key, 2242/2280(PCI-Ex4), 1* M.2 E-key, 2230, 2*SATAIII (6Gb/s)
- Onboard TPM2.0 (option)
- 19V DC in

Photo



Mechanical Dimension (mm)

Coming Soon

Specification

Processor/Chipset	Intel LGA1700 Socket Processor with H610/H610E chipset	Rear I/O Port	2* USB3.2(Gen.2), 2* USB2.0, 1* HDMI2.0
Memory	2* Dual CH DDR5 4800MHz SO-DIMM up to 64GB		+1* DP1.4, 1* RJ45, 1* Line-Out, 1* MIC, 1* DC Jack (19V DC in)
Ethernet	1* Realtek RTL8111H GbE	Internal I/O Port	2* USB3.2 (Gen.1), 3* USB2.0, 8bit GPIO, 2* SATAIII, 1* SMBUS, 1*AT mode
Graphic	1* HDMI 2.0b up to 4096x2160@60Hz, 1* DP1.4a up to 7680x3840@60Hz, 1* 24-bits Dual CH LVDS up to 1920x1200@60Hz (default, option with eDP)		
Storage	2* SATAIII (6Gb/s) 1* M.2 M-key 2242/2280 (PCIe x4 Gen.3 interface)	WDT	N/A
		Power	19V DC IN
Expansion Slot	1* M.2 E-key 2230 (PCIe x1/USB2.0 interface) Support CNVi	Temperature	Operating: 0~60°C with 0.7 m/s air flow Storage: -20~85°C
		Dimension	170 * 170mm (6.69" * 6.69")

*The Specification may be changed without further notice.
www.jetwayipc.com

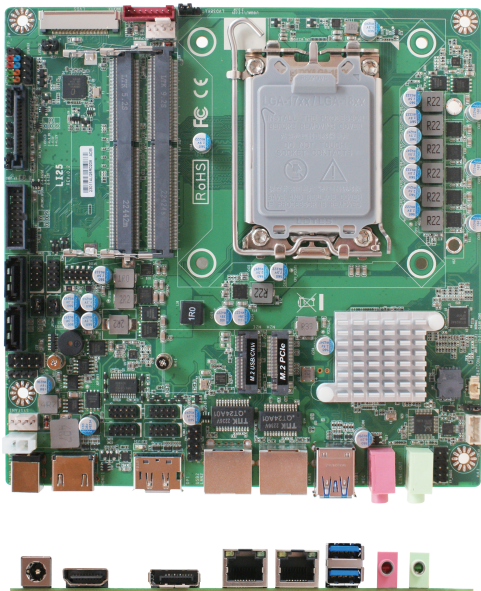
LI25-H6100L

intel FC CE RoHS COMPLIANT

Features

- Intel® 12th/13th LGA1700 Socket Processor (Max.65W TDP)
- Intel® Alder Lake-S H610 Chip
- 2* DDR4 3200MHz UDIMM up to 64GB
- 1*HDMI, 1*DP, 1*LVDS or eDP
- 2*GbE
- 2* USB3.2 (Gen.2), 2*USB3.2(Gen.1), 5*USB2.0
- 1*M.2 M-key, 2242/2280(PCI-Ex4), 1* M.2 E-key, 2230, 2*SATAIII (6Gb/s), 6*COM
- Onboard TPM2.0(Optional)
- 19V DC in

Photo



Mechanical Dimension (mm)

Coming Soon

Specification

Processor/Chipset	Intel LGA1700 Socket Processor with H610/H610E chipset	Rear I/O Port	2* USB3.2(Gen.2), 1* HDMI2.0 +1* DP1.4,
Memory	2* Dual CH DDR5 4800MHz SO-DIMM up to 64GB		2* RJ45, 1* Line-Out, 1* MIC, 1* DC Jack (19V DC in)
Ethernet	2* Realtek RTL8111H GbE	Internal I/O Port	2* USB3.2 (Gen.1), 5* USB2.0,
Graphic	1* HDMI 2.0b up to 4096x2160@60Hz, 1* DP1.4a up to 7680x3840@60Hz, 1* 24-bits Dual CH LVDS up to 1920x1200@60Hz (default, option with eDP)		2* RS232/422/485, 2*RS232, 8bit GPIO, 2* SATAIII, 1* SMBUS, 1*AT mode
Storage	2* SATAIII (6Gb/s) 1* M.2 M-key 2242/2280 (PCIe x4 Gen.3 interface)	WDT	N/A
Expansion Slot	1* M.2 E-key 2230 (PCIe x1/USB2.0 interface) Support CNVi	Power	19V DC IN
		Temperature	Operating: 0~60°C with 0.7 m/s air flow Storage: -20~85°C
		Dimension	170 * 170mm (6.69" * 6.69")

*The Specification may be changed without further notice.
www.jetwayipc.com

LI22-Q470E



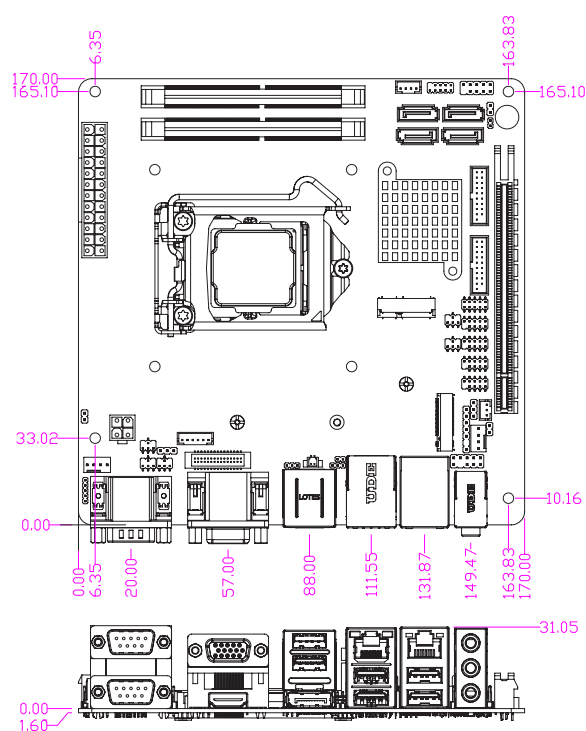
Features

- Intel® 10th/11th LGA1200 Socket Processor (Max 65W)
- Intel® Comet Lake-S Q470E
- Support 2* DDR4 3200/2933MHz, up to 64GB
- 1* Intel® i225-V 2.5 GbE, 1*Intel® i219-LM GbE
- Support M.2 M Key(PCI-Ex4)
- Support M.2 E Key(CNVi/PCI-Ex1)
- 4* SATAIII Support RAID 0/1/5/10
- Support CRT + HDMI + DP +LVDS/EDP Output
- 2* RS232/422/485 + 4*RS232
- 4* USB3.2(Gen2)+ 6* USB3.2(Gen1)+3* USB2.0
- 1* PCI-E x16 slot
- 24 + 8 Pin ATX Power Input
- Mini ITX Form Factor

Photo



Mechanical Dimension (mm)



Specification

Processor/Chipset	Intel LGA1200 Socket Processor with Q470E Chipset	Rear I/O Port	4* USB3.2(Gen.2), 2* USB3.2(Gen.1), 2* RS232/422/485, 1* HDMI1.4, 1* DP1.4, 1* VGA, 2* RJ45, 1* Line-in, 1* Line-Out, 1* MIC
Memory	2* Dual CH DDR4 3200MHz SO-DIMM up to 64GB	Internal I/O Port	4* USB3.2 (Gen.1), 3* USB2.0, 4* RS232, 8bit GPIO, 1* PS/2, 4* SATAIII, 1* SMBUS, 1*AT mode
Ethernet	1* Intel i225V 2.5GbE 1* Intel i219-LM GbE	WDT	0~255 Sec./Min. programmable
Graphic	1* HDMI 1.4 up to 4096x2160@30Hz, 1* DP 1.4 up to 4096x2304@60Hz, 1* VGA up to 1920x1080@60Hz, 1* 24-bits Dual CH LVDS up to 1920x1200@60Hz (default, option with eDP)	Power	24pin ATX + 4pin 12V
Storage	4* SATAIII (6Gb/s) support RAID 0/1/5/10 1* M.2 M-key 2242/2280 (PCIe x4 Gen.3 interface) support NVME	Temperature	Operating: 0~60°C with 0.7 m/s air flow Storage: -20°C ~ 85°C
Expansion Slot	1* PCIe x16 1* M.2 E-Key 2230 (USB2.0/PCIe x1/CNVi interface)	Dimension	170 * 170mm (6.69" * 6.69")

*The Specification may be changed without further notice.
www.jetwayipc.com

LI22-H420E



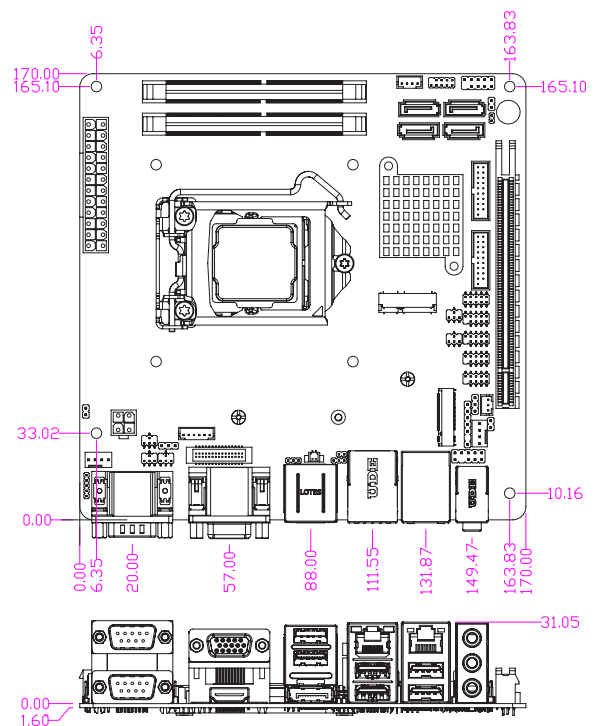
Features

- Intel® 10th/11th LGA1200 Socket Processor (Max 65W)
- Intel® Comet Lake-S H420E
- Support 2*DDR4 3200/2933MHz, up to 64GB
- 1* Intel® i225-V 2.5 GbE, 1*Intel® i219-LM GbE
- Support M.2 M Key(PCI-Ex4)
- Support M.2 E Key(CNVi/PCI-Ex1)
- 4* SATA III (6Gb/s)
- Support CRT + HDMI + DP +LVDS/EDP Output
- 2* RS232/422/485 + 4*RS232
- 4*USB3.2(Gen2)+ 2*USB3.2(Gen1)+3*USB2.0
- 1*PCI-E x16 slot
- 24 + 8 Pin ATX Power Input
- Mini ITX Form Factor

Photo



Mechanical Dimension (mm)



Specification

Processor/Chipset	Intel LGA1200 Socket Processor with H420E Chipset	Rear I/O Port	4* USB3.2(Gen.2), 2* USB3.2(Gen.1),
Memory	2* Dual CH DDR4 3200MHz SO-DIMM up to 64GB		2* RS232/422/485, 1* HDMI1.4, 1* DP1.4,
			1* VGA, 2* RJ45, 1* Line-in, 1* Line-Out,
Ethernet	1* Intel i225V 2.5GbE		1* MIC
	1* Intel i219-LM GbE	Internal I/O Port	3* USB2.0, 4* RS232, 8bit GPIO, 1* PS/2,
Graphic	1* HDMI 1.4 up to 4096x2160@30Hz, 1* DP 1.4 up to		4* SATAIII, 1* SMBUS, 1*AT mode
	4096x2304@60Hz, 1* VGA up to 1920x1080@60Hz, 1* 24-bits Dual		
	CH LVDS up to 1920x1200@60Hz (default, option with eDP)		
Storage	4* SATAIII (6Gb/s)		
	1* M.2 M-key 2242/2280 (PCIe x4 Gen.3 interface)	WDT	0~255 Sec./Min. programmable
	support NVME	Power	24pin ATX + 4pin 12V
Expansion Slot	1* PCIe x16	Temperature	Operating: 0~60°C with 0.7 m/s air flow
	1* M.2 E-Key 2230 (USB2.0/PCIe x1/CNVi interface)		Storage: -20°C ~ 85°C
		Dimension	170 * 170mm (6.69" * 6.69")

*The Specification may be changed without further notice.
www.jetwayipc.com

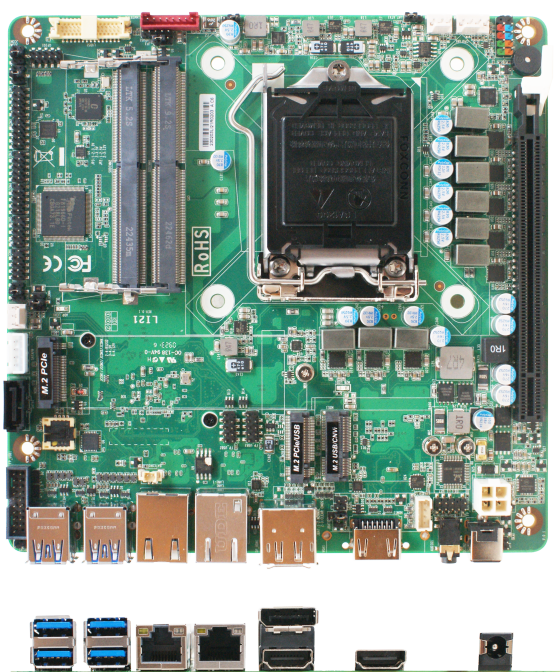
LI21-Q470E



Features

- Intel® 10th/11th LGA1200 Socket Processor (Max 65W)
- Intel® Comet Lake-S Q470E
- Support 2* DDR4 3200/2933MHz, up to 64GB
- 1* Intel® i225-V 2.5 GbE, 1*Intel® i219-LM GbE
- Support M.2 M Key(PCI-Ex4/SATA)
- Support M.2 E Key(CNVi/PCI-Ex1), M.2 B-key(USB3.2/PCIe x1)
- 1* SATAIII, 1* PCI-E x16 slot
- Support 2* HDMI, 1* DP, 1* LVDS/eDP Output
- 2* RS232/422/485 + 4*RS232
- 4* USB3.2(Gen2), 2* USB3.2(Gen1), 4* USB2.0
- 12~28V DC input
- Slim Mini ITX Form Factor

Photo



Mechanical Dimension (mm)

Specification

Processor/Chipset	Intel LGA1200 Socket Processor with Q470E Chipset	Rear I/O Port	4* USB3.2 (Gen2), 2* HDMI1.4, 1* DP1.2
Memory	2* Dual CH DDR4 3200MHz SO-DIMM up to 64GB		(Co-lay CRT), 2* RJ45, 1* Audio Jack (Line-out + MIC), 1* DC Jack
Ethernet	1* Intel i225V 2.5GbE	Internal I/O Port	2* USB3.2(Gen1), 4* USB2.0,
Graphic	1* Intel i219-LM GbE		2* RS232/422/485, 4* RS232, 1* SATAIII,
	2* HDMI 1.4 up to 4096x2160@30Hz, 1* DP 1.4 up to 4096x2304@60Hz (Co-lay CRT), 1* 24-bits Dual CH LVDS up to 1920x1200@60Hz (default, option with eDP)		1* 8bit GPIO, 1* SMBUS/ I2C, 1* AT mode
Storage	1* SATAIII (6Gb/s)	WDT	0~255 Sec./Min. programmable
	1* M.2 M-key 2280 (SATA/PCIe x4 Gen.3 interface)	Power	12~28V DC IN
	support NVME	Temperature	Operating: 0~60°C with 0.7 m/s air flow
Expansion Slot	1* PCIe x16		Storage: -20°C ~ 85°C
	1* M.2 E-Key 2230 (USB2.0/PCIe x1/CNVi interface)	Dimension	170 * 170mm (6.69" * 6.69")
	1* M.2 B-key 3042/3052 (USB3.2/PCIe x1 interface)		

*The Specification may be changed without further notice.
www.jetwayipc.com

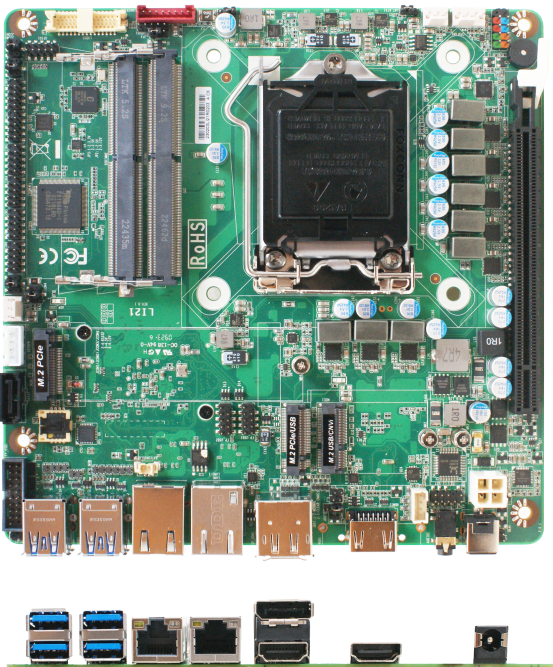
LI21-H420E



Features

- Intel® 10th/11th LGA1200 Socket Processor (Max 65W)
- Intel® Comet Lake-S H420E
- Support 2* DDR4 3200/2933MHz, up to 64GB
- 1* Intel® i225-V 2.5 GbE, 1*Intel® i219-LM GbE
- Support M.2 M Key(PCI-Ex4/SATA)
- Support M.2 E Key(CNVi/PCI-Ex1), M.2 B-key(USB3.2/PCIe x1)
- 1* SATAIII, 1* PCI-E x16 slot
- Support 2* HDMI, 1* DP, 1* LVDS/eDP Output
- 2* RS232/422/485 + 4*RS232
- 4* USB3.2(Gen2), 4* USB2.0
- 12~28V DC input
- Slim Mini ITX Form Factor

Photo



Mechanical Dimension (mm)

Specification

Processor/Chipset	Intel LGA1200 Socket Processor with H420E Chipset	Rear I/O Port	4* USB3.2 (Gen2), 2* HDMI1.4, 1* DP1.2
Memory	2* Dual CH DDR4 3200MHz SO-DIMM up to 64GB		(Co-lay CRT), 2* RJ45, 1* Audio Jack (Line-out + MIC), 1* DC Jack
Ethernet	1* Intel i225V 2.5GbE		
	1* Intel i219-LM GbE	Internal I/O Port	4* USB2.0, 2* RS232/422/485, 4* RS232,
Graphic	2* HDMI 1.4 up to 4096x2160@30Hz, 1* DP 1.4 up to 4096x2304@60Hz (Co-lay CRT), 1* 24-bits Dual CH LVDS up to 1920x1200@60Hz (default, option with eDP)		1* SATAIII, 1* 8bit GPIO, 1* SMBUS/ I2C, 1* AT mode
Storage	1* SATAIII (6Gb/s)		
	1* M.2 M-key 2280 (SATA/PCIe x4 Gen.3 interface) support NVME	WDT	0~255 Sec./Min. programmable
Expansion Slot	1* PCIe x16, 1* M.2 E-Key 2230 (USB2.0/PCIe x1/CNVi interface), 1* M.2 B-key 3042/3052 (USB3.2/PCIe x1 interface)	Power	12~28V DC IN
		Temperature	Operating: 0~60°C with 0.7 m/s air flow Storage: -20°C ~ 85°C
		Dimension	170 * 170mm (6.69" * 6.69")

*The Specification may be changed without further notice.
www.jetwayipc.com

MI02-10 Series



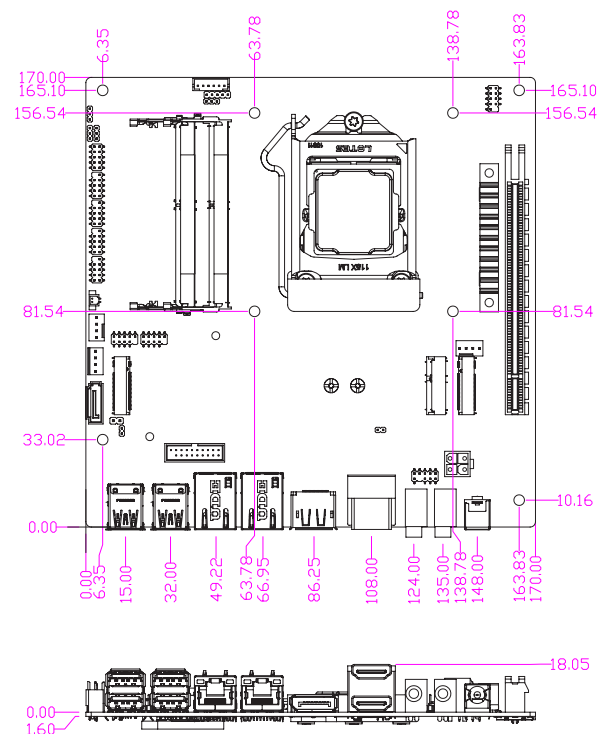
Features

- Intel® 10/11th LGA1200 Socket Processor (Max. 65W TDP)
- 2* DDR4 2933/2666/2400MHz SO-DIMM up to 64GB
- 1* Intel i225LM 2.5GbE, 1* Intel i219LM GbE
- 2* HDMI, 1* DP, 1* LVDS, 1* eDP
- 4* COM (COM1/COM2 support RS232/422/485), 4* USB3.2 Gen.2, 2* USB3.2 Gen.1, 4* USB2.0
- 1* PCIe x16 slot, 1* M.2 M-key 2280 (SATA/PCIe x4) support NVMe, 1* M.2 E-key 2230 (PCIe x1/USB2.0) support CNVi, 1* M.2 B-key 3042/3052 (USB3.0/PCIe x1) W/SIM card slot
- 1* SATAIII (6Gb/s) support RAID W/M.2 M-key
- Support onboard TPM 2.0 (MI02-12 only)

Photo



Mechanical Dimension (mm)



Specification

Processor/Chipset	Intel LGA1200 Socket Processor with Q470E Chipset	Rear I/O Port	2* HDMI, 1* DP, 2* RJ45, 4* USB 3.2 (Gen. 2), Line-out, MIC, 1* DC-in jack
Memory	2* Dual CH DDR4 3200MHz SO-DIMM up to 64GB	Internal I/O Port	2* USB3.2 (Gen. 1), 4* USB 2.0, 1* SATAIII, 2* RS232/422/485, 4* RS232, 1* GPIO (8 bit), 1* Audio Header, 1* SMBUS, 1* AT mode, TPM2.0 (MI02-12)
Ethernet	1* Intel i225-LM 2.5GbE 1* Intel i219-LM GbE	WDT	0~255 Sec./Min. programmable
Graphic	2* HDMI 1.4 up to 4096×2160@30Hz, 1* DP 1.4 up to 4096×2304@60Hz, 1* 24-bits Dual CH LVDS up to 1920×1200@60Hz, 1* eDP up to 4096×2304@60Hz	Power	12~28V DC IN
Storage	1* SATAIII (6Gb/s) support RAID w/M.2 SATA port 1* M-key 2280 (SATA/PCIe x4 interface) support NVMe	Temperature	Operating: 0~60°C with 0.7 m/s air flow Storage: -20°C ~ 85°C
Expansion Slot	1* PCIe x16, 1* E-key 2230 (PCIe x1/USB2.0 interface) support CNVi, 1* B-key 3042/3052 (USB3.0/PCIe x1 interface) W/SIM card slot, 1* PCIe x16 slot (Suggest the PCIe card less than 25W Power consumption)	Dimension	170 * 170mm (6.69" * 6.69")

*The Specification may be changed without further notice.
www.jetwayipc.com

MI02-30 Series

Features

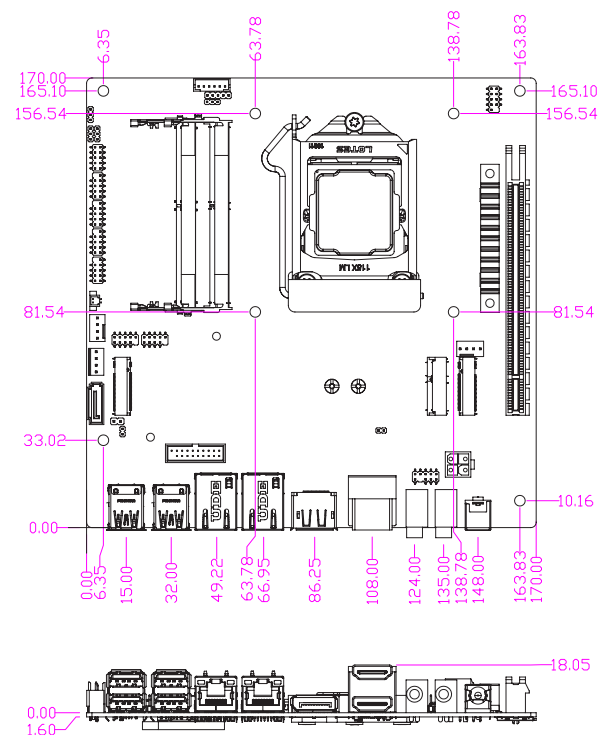
- Intel® 10/11th LGA1200 Socket Processor (Max. 65W TDP)
- 2* DDR4 2933/2666/2400MHz SO-DIMM up to 64GB
- 1* Intel i225LM 2.5GbE, 1* Intel i219V GbE
- 2* HDMI, 1* DP, 1* LVDS, 1* eDP
- 4* COM (COM1/COM2 support RS232/422/485),
- 4* USB3.2 Gen.2, 2* USB3.2 Gen.1, 4* USB2.0
- 1* PCIe x16 slot, 1* M.2 M-key 2280 (SATA/PCIe x4) support NVMe, 1* M.2 E-key 2230 (PCIe x1/USB2.0) support CNVi, 1* M.2 B-key 3042/3052 (USB3.0/PCIe x1) W/SIM card slot
- 1* SATAIII (6Gb/s) support RAID W/M.2 M-key
- Support onboard TPM 2.0 (MI02-32 only)



Photo



Mechanical Dimension (mm)



Specification

Processor/Chipset	Intel LGA1200 Socket Processor with H470 Chipset	Rear I/O Port	2* HDMI, 1* DP, 2* RJ45, 4* USB 3.2 (Gen. 2), Line-out, MIC, 1* DC-in jack
Memory	2* Dual CH DDR4 3200MHz SO-DIMM up to 64GB		
Ethernet	1* Intel i225-LM 2.5GbE		
Graphic	1* Intel i219V GbE 2* HDMI 1.4 up to 4096x2160@30Hz, 1* DP 1.4 up to 4096x2304@60Hz, 1* DP 1.4 up to 4096x2304@60Hz, 1* eDP up to 4096x2304@60Hz	Internal I/O Port	2* USB3.2 (Gen. 1), 4* USB 2.0, 1* SATAIII, 2* RS232/422/485, 4* RS232, 1* GPIO (8 bit), 1* Audio Header, 1* SMBUS, 1* AT mode, TPM2.0 (MI02-32)
Storage	1* SATAIII (6Gb/s) support RAID w/M.2 SATA port, 1* M-key 2280 (SATA/PCIe x4 interface) support NVMe	WDT	0~255 Sec./Min. programmable
Expansion Slot	1* PCIe x16, 1* E-key 2230 (PCIe x1/USB2.0 interface) support CNVi, 1* B-key 3042/3052 (USB3.0/PCIe x1 interface) W/SIM card slot, 1* PCIe x16 slot (Suggest the PCIe card less than 25W Power consumption)	Power	12~28V DC IN
		Temperature	Operating: 0~60°C with 0.7 m/s air flow Storage: -20°C ~ 85°C
		Dimension	170 * 170mm (6.69" * 6.69")

*The Specification may be changed without further notice.
www.jetwayipc.com

MI09-30 Series



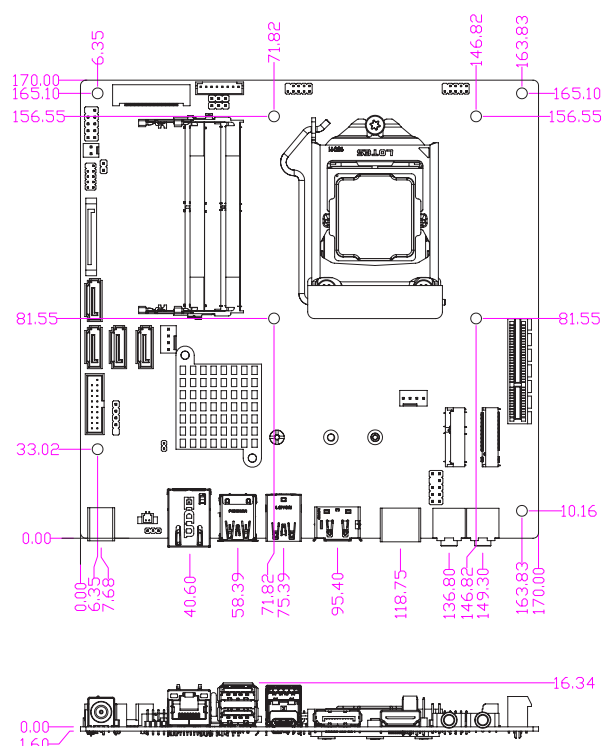
Features

- Intel® 10/11th LGA1200 Socket Processor (Max. 65W TDP)
- 2* DDR4 2933/2666/2400MHz SO-DIMM up to 64GB
- 1* Intel i219V GbE
- 1* HDMI, 1* DP, 1* 24-bit Dual CH LVDS
- 1* COM (RS232/422/485), 3* USB3.2 Gen.2 (Type A), 1* USB3.2 Gen.1 (Type C), 2* USB3.2 Gen.1, 5* USB2.0
- 1* PCIe x4, 1* M.2 M-key 2242/2260/2280 (SATA/PCIe), 1* M.2 E-key 2230 (PCIe x1/USB2.0) support CNVi
- 4* SATAIII support RAID 0/1/5/10
- Support onboard TPM 2.0 (MI09-32 only)

Photo



Mechanical Dimension (mm)



Specification

Processor/Chipset	Intel LGA1200 Socket Processor with H470 Chipset	Rear I/O Port	1* HDMI, 1* DP, 1* RJ45, 3* USB 3.2 type-A (Gen. 2), 1* USB 3.2 type-C (Gen. 1), 1* Line-out, 1* MIC, 1* DC-in jack
Memory	2* Dual CH DDR4 3200MHz SO-DIMM up to 64GB	Internal I/O Port	2* USB3.2 (Gen. 1), 5* USB 2.0, 4* SATAIII, 1* RS232/422/485, 1* Audio Header, 1* AT mode, TPM2.0 (MI09-12)
Ethernet	1* Intel i219V GbE	WDT	0~255 Sec./Min. programmable
Graphic	1* HDMI 1.4 up to 4096×2160@30Hz 1* DP 1.4 up to 4096×2304@60Hz 1* 24-bits Dual CH LVDS up to 1920×1200@60Hz	Power	12~19V DC IN
Storage	4* SATAIII (6Gb/s) support RAID 0/1/5/10 1* M-key 2242/2260/2280 (SATA/PCIe interface)	Temperature	Operating: 0~60°C with 0.7 m/s air flow Storage: -20°C ~ 85°C
Expansion Slot	1* E-key 2230 (PCIe x1/USB2.0 interface) support CNVi 1* PCIe x4 slot	Dimension	170 * 170mm (6.69" * 6.69")

*The Specification may be changed without further notice.
www.jetwayipc.com

MI08V00 Series



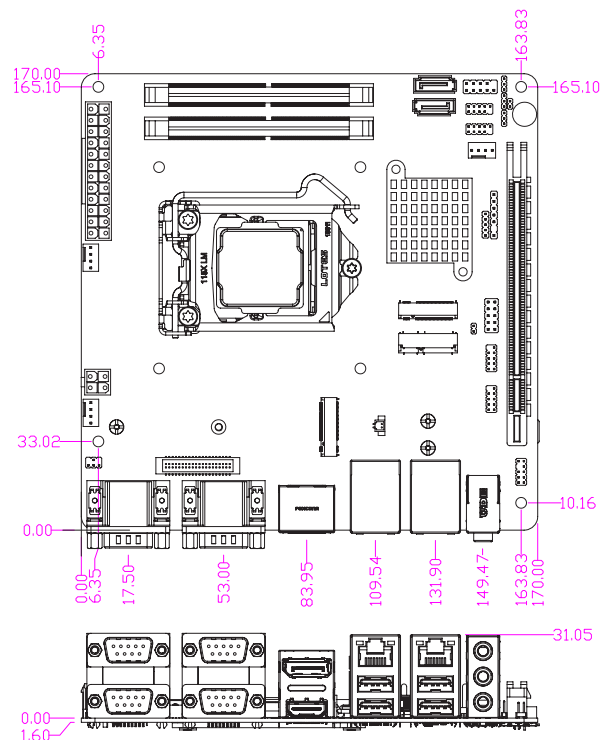
Features

- Intel® 10th LGA1200 Socket Processor (Max. 65W TDP)
- 2* DDR4 2666/2400MHz SO-DIMM up to 64GB
- 1* Intel i225V 2.5GbE, 1* Intel i219V GbE
- 1* HDMI, 1* DP, 1* eDP
- 6* COM (COM1 support RS232/422/485), 3* USB3.2 Gen.1, 5* USB2.0
- 1* PCIe x16 slot, 1* M.2 M-key 2242/2280 (SATA/PCIe x2) support NVMe, 1* M.2 E-key 2230 (PCIe x1/USB2.0), 1* M.2 B-key 3042/3052 (USB3.0/PCIe x1) W/SIM card slot
- 2* SATAIII (6Gb/s)
- Support onboard TPM 2.0 (MI08V02 only)

Photo



Mechanical Dimension (mm)



Specification

Processor/Chipset	Intel LGA1200 Socket Processor with H410 Chipset	Rear I/O Port	1* HDMI, 1* DP, 2* RJ45,
Memory	2* Dual CH DDR4 2666/2400MHz SO-DIMM up to 64GB		3* USB 3.2 (Gen. 1), 1* USB 2.0,
Ethernet	1* Intel i225V 2.5GbE		1* RS232/422/485, 3* RS232, Line-in, Line-out, MIC, 1* DC-in jack
Graphic	1* Intel i219V GbE	Internal I/O Port	4* USB 2.0, 2* SATAIII, 2* COM, 1* PS/2, 1* 8bit GPIO, 1* Audio Header, 1* AT mode, TPM2.0 (MI08V02)
Storage	2* SATAIII (6Gb/s) 1* M-key 2242/2280 (SATA/PCIe x2 interface)	WDT	0~255 Sec./Min. programmable
Expansion Slot	support NVMe 1* E-key 2230 (PCIe x1/USB2.0 interface) 1* B-key 3042/3052 (USB3.0/PCIe x1 interface) W/SIM card slot 1* PCIe x16 slot	Power	24pin ATX + 4pin 12V
		Temperature	Operating: 0~60°C with 0.7 m/s air flow Storage: -20°C ~ 85°C
		Dimension	170 * 170mm (6.69" * 6.69")

*The Specification may be changed without further notice.
www.jetwayipc.com

MI92V10 Series



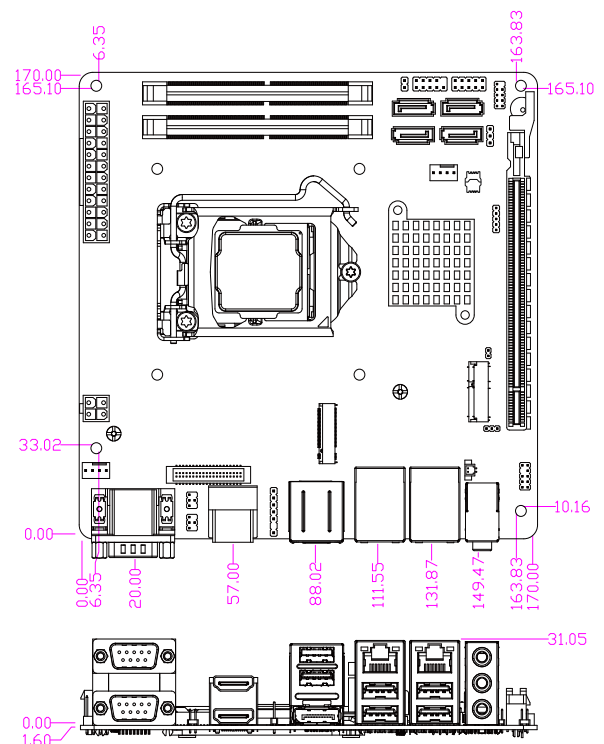
Features

- Intel® 10th LGA1200 Socket Processor (Max. 65W TDP)
- 2* DDR4 2666/2400MHz SO-DIMM up to 64GB
- 1* GbE, 1* 2.5GbE
- 2* HDMI, 1* DP, 1* eDP
- 2* RS232/422/485, 4* USB3.2 Gen.2, 2* USB3.2 Gen.1, 2* USB2.0
- 1* PCIe x16 slot, 1* M.2 M-key 2280 (SATA/PCIe x4) support NVMe, 1* M.2 E-key 2230 (PCIe x1/USB2.0) support CNVi
- 4* SATAIII (6Gb/s) support RAID 0, 1, 5, 10
- Support onboard TPM 2.0 (MI92V12 only)

Photo



Mechanical Dimension (mm)



Specification

Processor/Chipset	Intel LGA1200 Socket Processor with Q470E Chipset	Rear I/O Port	2* HDMI, 1* DP, 2* RJ45, 4* USB3.2 (Gen. 2), 2* USB3.2 (Gen. 1), Line-in, Line-out, MIC, 2* RS232/422/485
Memory	2* Dual CH DDR4 2666/2400MHz SO-DIMM up to 64GB	Internal I/O Port	2* USB 2.0, 4* SATAIII, 1 * PS/2, 1* 8bit GPIO, 1* Audio Header, 1* SMBUS, 1* AT mode, TPM2.0 (MI92V12)
Ethernet	1* Intel i225V 2.5GbE 1* Intel i219-LM GbE	WDT	0~255 Sec./Min. programmable
Graphic	1* HDMI 1.4 up to 4096×2160@30Hz 1* DP 1.4 up to 4096×2304@60Hz 1* eDP 1.4 up to 4096×2304@60Hz	Power	24pin ATX + 4pin 12V
Storage	4* SATAIII (6Gb/s) support RAID 0/1/5/10 1* M-key 2280 (SATA/PCIe x4 interface) support NVMe	Temperature	Operating: 0~60°C with 0.7 m/s air flow Storage: -20°C ~ 85°C
Expansion Slot	1* M.2 E-key 2230 (PCIe x1/USB2.0 interface) support CNVi 1* PCIe x16 slot	Dimension	170 * 170mm (6.69" * 6.69")

*The Specification may be changed without further notice.
www.jetwayipc.com

JNC8HV-IH310



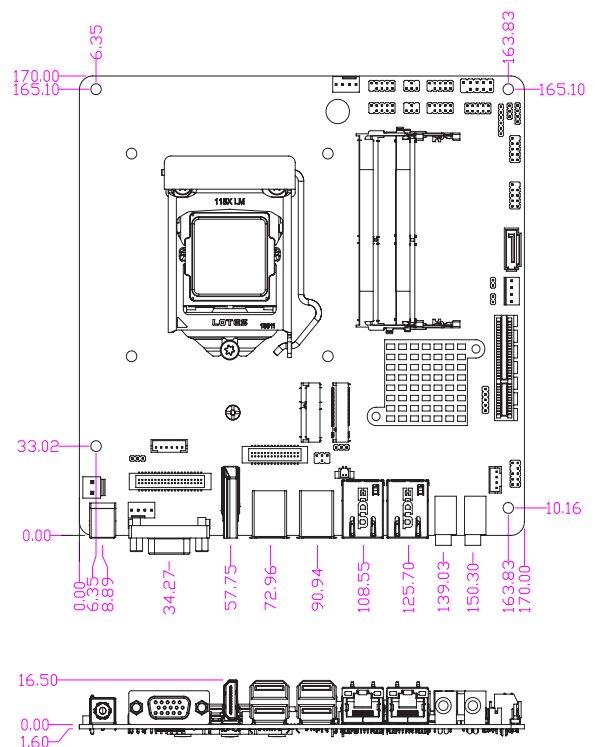
Features

- Intel® LGA1151 Socket Core I3, I5, I7 Pentium Processor (Max. 65W TDP)
- Intel® Coffee Lake-S H310 Chip
- Support Single Channel DDR4 2133MHz up to 64GB
- Realtek ALC888S Audio Codec
- 1* Intel® I219-V GbE, 1* Intel® I225-V 2.5GbE
- 1* SATAIII (6Gb/s), 1* M.2 (M key 2242)
- HDMI/VGA /eDP (CO-lay LVDS)
- 4* RS232 (COM1/2 Support 5V/12V TTL), 4* External USB3.0, 5* Internal USB2.0
- 1* PCIe x4 Slot, 1* M.2 E key Support CNVi
- DC 12~24V Input
- Slim Mini ITX Form Factor

Photo



Mechanical Dimension (mm)



Specification

Processor/Chipset	Intel LGA1151 Socket 8th/9th Processor with H310 chipset	Rear I/O Port	4* USB3.0, 1* VGA, 1* HDMI, 2* RJ45,
Memory	2* Dual CH DDR4 2666/2400MHz SO-DIMM up to 64GB		1* Line-out, 1* MIC, 12V~24V DC-in
Ethernet	1* Intel i225V 2.5GbE		
	1* Intel i219V GbE	Internal I/O Port	5* USB2.0, 1* SATAIII, 4* COM RS232,
Graphic	1* HDMI 1.4 up to 4096×2160@30Hz, 1* VGA up to 1920x1080@60Hz, 1* 24-bits Dual CH LVDS up to 1920x1200@60Hz, 1* eDP 1.4 up to 4096×2304@60Hz		1* PS/2, 1* Audio Header, 1* GPIO, 1* SMBUS, 1* AT mode
Storage	1* SATAIII (6Gb/s)		
	1* M.2 (M-key, 2242)	WDT	0~255 Sec./Min. programmable
		Power	12~24V DC IN
Expansion Slot	1* M.2 E-key 2230 (PCIe/USB2.0 interface) support CNVi	Temperature	Operating: 0~60°C w/0.7 m/s air flow
	1* PCIe x4		Storage: -20~85°C
		Dimension	170 * 170mm (6.69" * 6.69")

*The Specification may be changed without further notice.
www.jetwayipc.com

JNF797V-Q370 Series

intel FC CE RoHS COMPLIANT

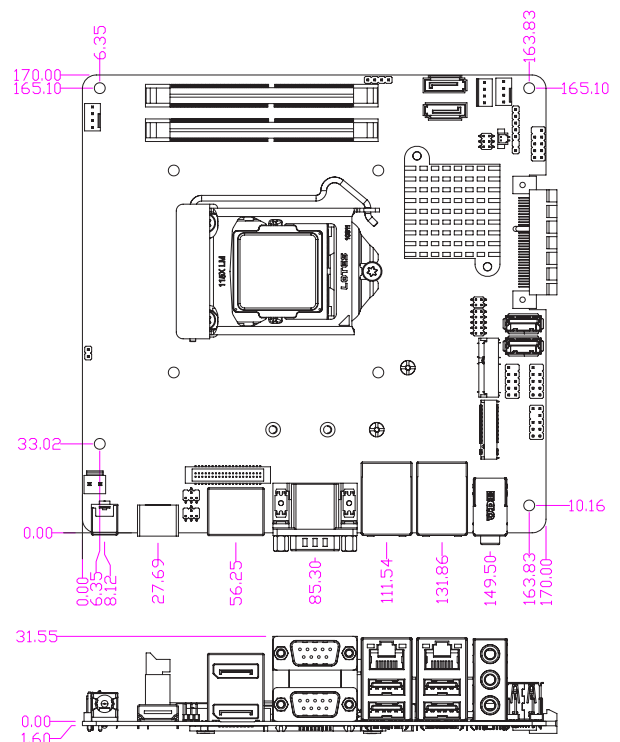
Features

- Intel® 8th/9th LGA 1151 Socket Core i7/i5/i3/ Pentium/Celeron Processor (Max. 65W TDP)
- 2* DDR4 2400/2666MHz SO-DIMM up to 64GB
- 1* GbE, 1* 2.5GbE
- 1* HDMI (option with DP), 2* DP, 1* eDP
- 2* COM (RS232/422/485), 4* USB3.1 (Gen.2), 2* USB3.1 (Gen.1), 4 * USB2.0
- 1* PCIe x4 slot, 1* M.2 (M-Key 2242/2260/ 2280, support NVMe), 1* M.2 (E-key 2230)
- 2* SATA III (6Gb/s) support RAID 0, 1
- Support onboard TPM 2.0 (optional)
- 9~36V DC-in Power Solution

Photo



Mechanical Dimension (mm)



Specification

Processor/Chipset	Intel LGA1151 Socket 8th/9th Processor with Q370 chipset	Rear I/O Port	4* USB3.1 (Gen.2), 2* RS232/422/485, 2* DP, 1* HDMI, 2* RJ45, 1* Audio jack
Memory	2* Dual CH DDR4 2666/2400MHz SO-DIMM up to 64GB	Internal I/O Port	2* USB3.1 (Gen.1), 4* USB2.0, 2* SATAIII, 1* PS2, 1* Audio header, 1* SMBUS, 1* GPIO, 1* AT mode, 1* TPM2.0 (JNF797V2-Q370)
Ethernet	1* Intel i225V 2.5GbE 1* Intel i219-LM GbE	WDT	0~255 Sec./Min. programmable
Graphic	1* HDMI 1.4 up to 4096×2160@30Hz 2* DP 1.2 up to 4096×2304@60Hz 1* eDP 1.4 up to 4096×2304@60Hz	Power	9-36V DC IN
Storage	2* SATAIII (6Gb/s) support RAID 0/1 1* M.2 M-key 2242/2260/2280 (SATA interface) support NVME	Temperature	Operating: 0~60°C with 0.7 m/s air flow Storage: -20~85°C
Expansion Slot	1* PCIe x4 (Sideway) 1* M.2 E-key 2230 (PCIe interface)	Dimension	170 * 170mm (6.69" * 6.69")

*The Specification may be changed without further notice.
www.jetwayipc.com

JNF796V-H310 Series

intel FC CE RoHS
COMPLIANT

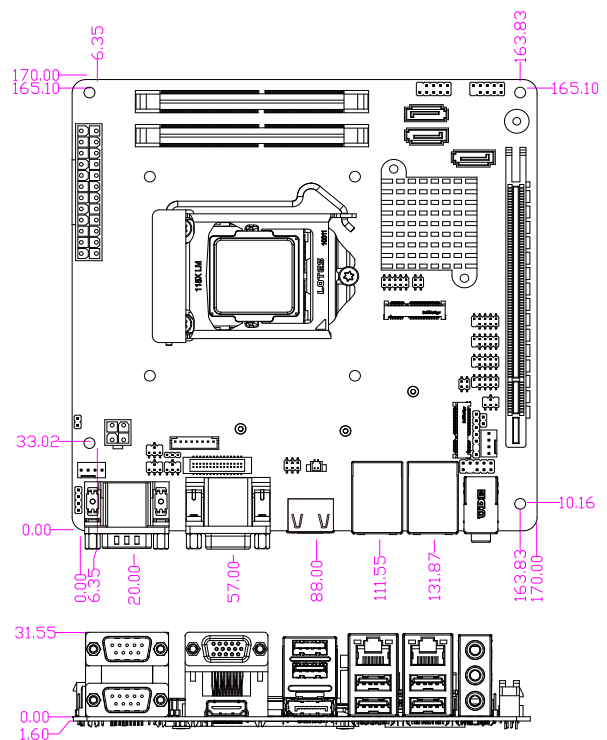
Features

- Intel® 8/9th LGA1151 Socket Processor (Max. 65W TDP)
- 2* DDR4 2400/2666MHz SO-DIMM up to 64GB
- 1* HDMI, 1* DP, 1 * VGA, 1* LVDS
- 1* GbE, 1* 2.5GbE, 2* RS232/422/485,
- 4* USB3.1 (Gen.1), 2* USB2.0
- 1* PCIe x16, 1 * M.2 M-key 2242/2280 (SATA/PCIex4) support NVMe, 1* M.2 E-key 2230 (PCIex1/USB2.0) support CNVi, 3* SATAIII
- Support onboard TPM 2.0 (option)

Photo



Mechanical Dimension (mm)



Specification

Processor/Chipset	Intel LGA1151 Socket 8th/9th Processor with H310 chipset	Rear I/O Port	1* VGA, 1* HDMI, 1* DP, 2* RJ45,
Memory	2* Dual CH DDR4 2666/2400MHz SO-DIMM up to 64GB		4* USB3.1 (Gen. 1), Line-in, Line-out, MIC, 2* RS232/422/485
Ethernet	1* Intel i225V 2.5GbE		
Graphic	1* Intel i219LM GbE 1* HDMI 1.4 up to 4096x2160@30Hz, 1* DP 1.2 up to 4096x2304@60Hz, 1* VGA up to 1920x1080@60Hz, 1* 24-bits Dual CH LVDS up to 1920x1200@60Hz	Internal I/O Port	2* USB 2.0, 1* PS/2, 4* COM, 3* SATAIII, 1* 8 bit GPIO, 1* Audio header, 1* SMBUS, 1* AT mode, TPM2.0 (option)
Storage	3* SATAIII (6Gb/s) 1* M.2 M-key 2242/2280 (SATA/PCIe x4 interface) support NVMe	WDT	0~255 Sec./Min. programmable
Expansion Slot	1* M.2 E-key 2230 (PCIe x1/USB2.0 interface) support CNVi 1* PCIe x16 slot	Power	24pin ATX + 4pin 12V
		Temperature	Operating: 0~60°C with 0.7 m/s air flow Storage: -20~85°C
		Dimension	170 * 170mm (6.69" * 6.69")

*The Specification may be changed without further notice.
www.jetwayipc.com

JNF796V-Q370 Series

intel FC CE RoHS
COMPLIANT

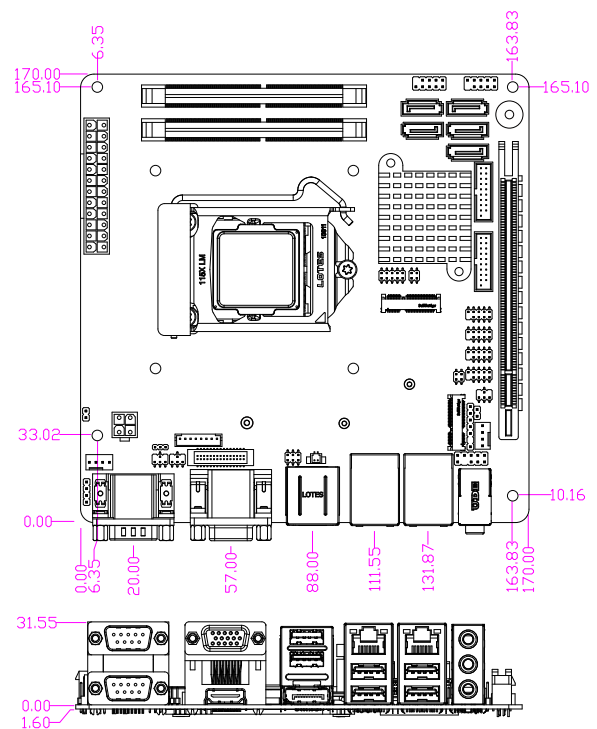
Features

- Intel® 8/9th LGA1151 Socket Processor (Max. 65W TDP)
- 2* DDR4 2400/2666MHz SO-DIMM up to 64GB
- 3. 1* HDMI, 1* DP, 1 * VGA, 1* LVD
- 1* GbE, 1* 2.5GbE, 4* RS232,
- 2* RS232/422/485, 4* USB3.1 (Gen.2), 6* USB3.1 (Gen.1), 2* USB2.0
- 1* PCIe x16, 1* M.2 M-key 2242/2280 (SATA/PCIex4) support NVMe, 1* M.2 E-key 2230 (PCIex1/USB2.0) support CNVi, 5* SATAIII
- Support onboard TPM 2.0 (option)

Photo



Mechanical Dimension (mm)



Specification

Processor/Chipset	Intel LGA1151 Socket 8th/9th Processor with Q370 chipset	Rear I/O Port	1* VGA, 1* HDMI, 1* DP, 2* RJ45,
Memory	2* Dual CH DDR4 2666/2400MHz SO-DIMM up to 64GB		4* USB3.1 (Gen. 2), 2* USB3.1 (Gen. 1),
Ethernet	1* Intel i225V 2.5GbE		Line-in, Line-out, MIC, 2* RS232/422/485
Graphic	1* Intel i219LM GbE	Internal I/O Port	4* USB3.1 (Gen. 1), 2* USB 2.0, 1* PS/2,
	1* HDMI 1.4 up to 4096*2160@30Hz, 1* DP 1.2 up to 4096*2304@60Hz, 1* VGA up to 1920x1080@60Hz, 1* 24-bits Dual CH LVDS up to 1920x1200@60Hz		4* COM, 5* SATAIII, 1* 8 bit GPIO, 1* Audio header, 1* SMBUS, 1* AT mode, TPM2.0 (option)
Storage	5* SATAIII (6Gb/s) support RAID 0/1/5/10	WDT	0~255 Sec./Min. programmable
	1* M.2 M-key 2242/2280 (SATA/PCIe x4 interface) support NVMe	Power	24pin ATX + 4pin 12V
Expansion Slot	1* M.2 E-key 2230 (PCIe x1/USB2.0 interface) support CNVi	Temperature	Operating: 0~60°C with 0.7 m/s air flow
	1* PCIe x16 slot		Storage: -20~85°C
		Dimension	170 * 170mm (6.69" * 6.69")

*The Specification may be changed without further notice.
www.jetwayipc.com

JNF796V-C246 Series

intel FC CE RoHS
COMPLIANT

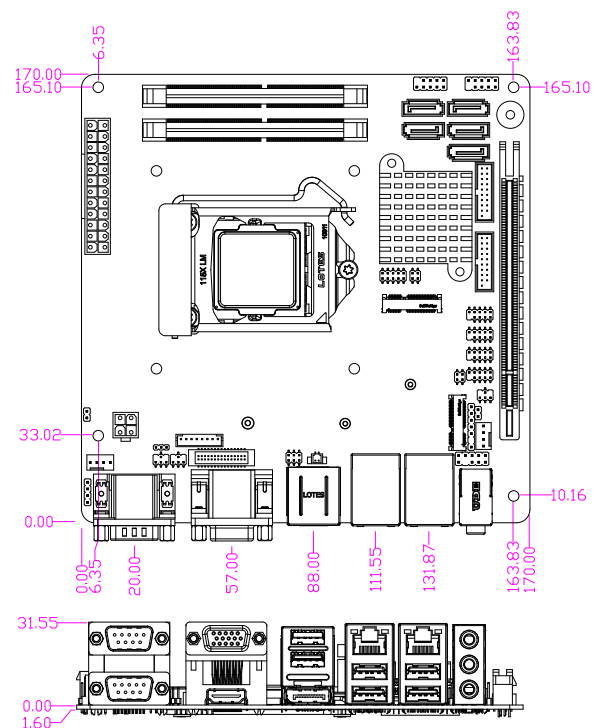
Features

- Intel® 8/9th LGA1151 Socket Processor (Max. 95W TDP)
- 2* DDR4 2400/2666MHz SO-DIMM up to 64GB
- 1* HDMI, 1* DP, 1 * VGA, 1* LVD
- 1* GbE, 1* 2.5GbE, 4* RS232, 2* RS232/422/485, 4* USB3.1 (Gen.2), 6* USB3.1 (Gen.1), 2* USB2.0
- 1* PCIe x16, 1* M.2 M-key 2242/2280 (SATA/PCIex4) support NVMe, 1* M.2 E-key 2230 (PCIex1/USB2.0) support CNVi, 5* SATAIII
- Support onboard TPM 2.0 (option)

Photo



Mechanical Dimension (mm)



Specification

Processor/Chipset	Intel LGA1151 Socket 8th/9th Processor with C246 chipset	Rear I/O Port	1* VGA, 1* HDMI, 1* DP, 2* RJ45,
Memory	2* Dual CH DDR4 2666/2400MHz SO-DIMM up to 64GB support ECC		4* USB3.1 (Gen. 2), 2* USB3.1 (Gen. 1),
Ethernet	1* Realtek RTL8111H GbE		Line-in, Line-out, MIC, 2* RS232/422/485
Graphic	1* HDMI 1.4 up to 4096x2160@30Hz, 1* DP 1.2 up to 4096x2304@60Hz, 1* VGA up to 1920x1080@60Hz, 1* 24-bits Dual CH LVDS up to 1920x1200@60Hz	Internal I/O Port	4* USB3.1 (Gen. 1), 2* USB 2.0, 1* PS/2, 4* COM, 5* SATAIII, 1* 8 bit GPIO, 1* Audio header, 1* SMBUS, 1* AT mode, TPM2.0 (option)
Storage	5* SATAIII (6Gb/s) support RAID 0/1/5/10 1* M.2 M-key 2242/2280 (SATA/PCIe x4 interface) support NVMe	WDT	0~255 Sec./Min. programmable
Expansion Slot	1* M.2 E-key 2230 (PCIe x1/USB2.0 interface) support CNVi 1* PCIe x16 slot	Power	24pin ATX + 4pin 12V
		Temperature	Operating: 0~60°C with 0.7 m/s air flow Storage: -20~85°C
		Dimension	170 * 170mm (6.69" * 6.69")

*The Specification may be changed without further notice.
www.jetwayipc.com

JNF697-Q170

intel FC CE RoHS
COMPLIANT

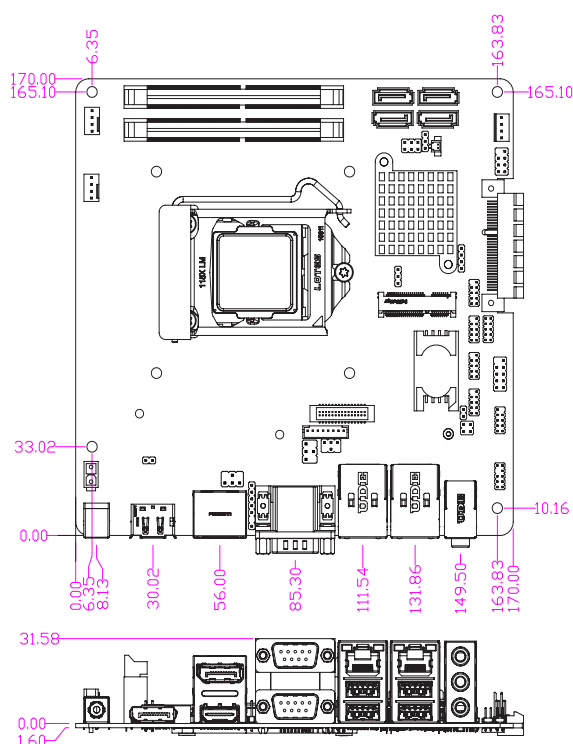
Features

- Intel® LGA1151 Skylake/Kabylake Processor (TDP 65W)
- Intel® Q170 Express Chipset
- 2* DDR4 2133MHz SO-DIMM up to 32GB
- Realtek ALC888S Audio CODEC
- 2* Intel GbE, 2* External COM, 4* internal COM,
- 4* External USB3.0, 2* Internal USB2.0
- 2* DP, 1* HDMI, 1* LVDS, support triple displays
- 4* SATAIII, 1* Mini-PCIe, 1* PCIe x4 side-slot, 1* SIM Card holder
- 9 ~ 24V DC-in PWR

Photo



Mechanical Dimension (mm)



Specification

Processor/Chipset	Intel LGA1151 Socket 6th/7th Processor with Q170 chipset	Rear I/O Port	1* HDMI, 2* DP, 2* RJ45, 4* USB3.0, Line-in, Line-out, MIC, 2* RS232/422/485
Memory	2* DDR4 2133MHz SO-DIMM up to 32GB	Internal I/O Port	2* USB2.0, 1* PS/2, 4* COM, 4* SATAIII, 1* 8 bit GPIO, 1* Audio header, 1* SMBUS, 1* AT mode, TPM2.0 (option)
Ethernet	1* Intel i219LM GbE 1* Intel i211AT GbE	WDT	0~255 Sec./Min. programmable
Graphic	1* HDMI 1.4 up to 4096×2160@24Hz 2* DP up to 4096×2304@60Hz 1* 24-bits Dual CH LVDS up to 1920×1200@60Hz	Power	9~24V DC IN
Storage	4* SATAIII (6Gb/s) support RAID 0/1/5/10	Temperature	Operating: 0~60°C with 0.7 m/s air flow Storage: -20~85°C
Expansion Slot	1* Mini PCIe (full size) 1* PCIe x4 slot (sideway)	Dimension	170 * 170mm (6.69" * 6.69")

*The Specification may be changed without further notice.
www.jetwayipc.com

JNF693-H110

intel FC CE RoHS
COMPLIANT

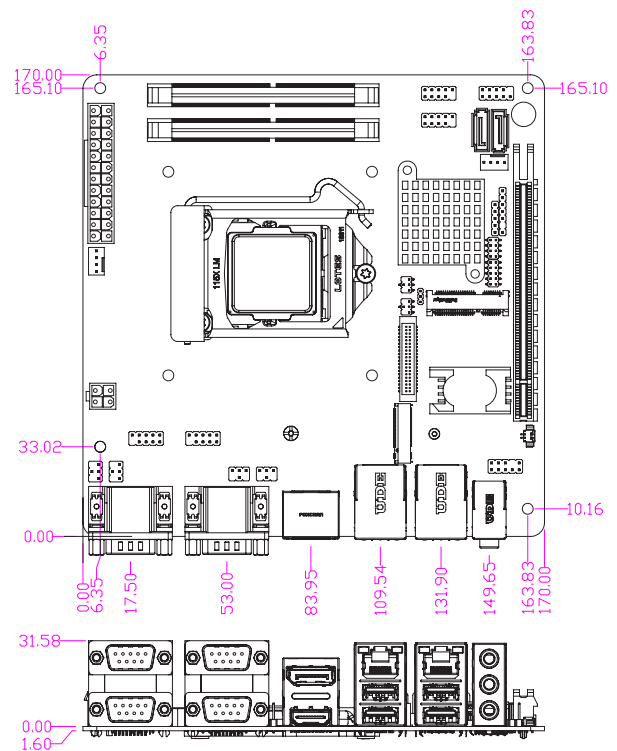
Features

- 2* DDR4 2133MHz SO-DIMM up to 32GB memory
- Supports 1* HDMI, 1* DP
- Supports 1* PCIe x16 and 1* Mini PCIe (shared with mSATA)
- Supports 4* USB3.0, 4* USB2.0, 6* COM
- Mini ITX Form Factor

Photo



Mechanical Dimension (mm)



Specification

Processor/Chipset	Intel LGA1151 Socket 6th/7th Processor with H110 chipset	Rear I/O Port	1* HDMI, 1* DP, 2* RJ45, 4* USB3.0, 1* RS232/422/485, 3* RS232, Line-out, Line-in, MIC
Memory	2* DDR4 2133MHz SO-DIMM up to 32GB	Internal I/O Port	4* USB2.0, 2* COM (COM5: RS232/422/485), 1* GPIO, 1* Audio header, 1* PS/2, 1* onboard TPM (option)
Ethernet	2* Realtek RTL8111H GbE	WDT	0~255 Sec./Min. programmable
Graphic	1* HDMI 1.4 up to 4096×2160@24Hz 1* DP up to 4096×2304@60Hz 1* eDP up to 4096×2304@60Hz	Power	24pin ATX + 4pin 12V
Storage	2* SATAIII (6Gb/s), 1* mSATA (full size), 1* M.2 M-key (2242/2260)	Temperature	Operating: 0~60°C with 0.7 m/s air flow Storage: -20~85°C
Expansion Slot	1* PCIe x16, 1* Mini PCIe (full size shared), 1* SIM card slot	Dimension	170 * 170mm (6.69" * 6.69")

*The Specification may be changed without further notice.
www.jetwayipc.com

JNF594-Q170



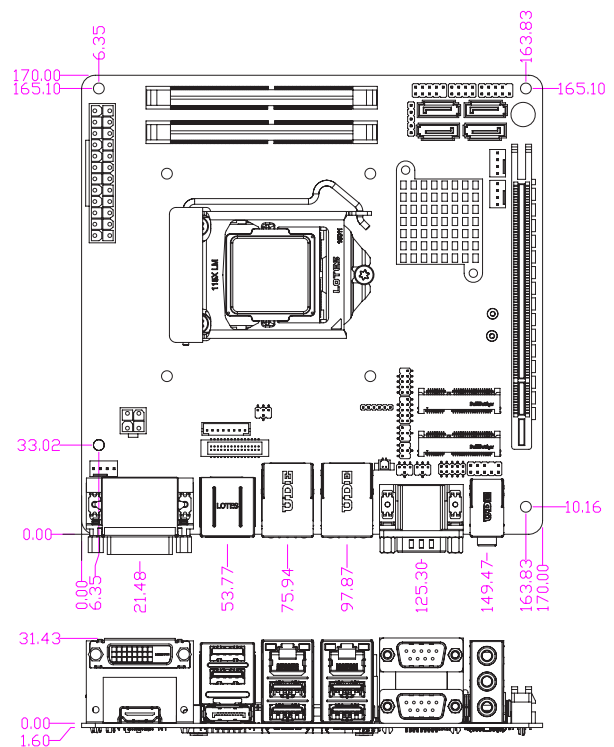
Features

- Support Intel 6th/ 7th LGA1151 socket processor with Intel Q170 chipset
- 2* DDR4 2133MHz SO-DIMM up to 32GB
- HDMI / DP / DVI-D / LVDS, support Triple displays
- Support 1* PCIe x16, 2* Mini PCIe (1 shared)
- Support 6* USB3.0, 2* USB2.0
- Mini ITX Form Factor

Photo



Mechanical Dimension (mm)



Specification

Processor/Chipset	Intel LGA1151 Socket 6th/7th Processor with Q170 chipset	Rear I/O Port	1* HDMI, 1* DP, 1* DVI-D, 2* RJ45,
Memory	2* DDR4 2133MHz SO-DIMM up to 32GB		6* USB3.0, 1* RS232, 1* RS232/422/485,
			Line-out, Line-in, MIC
Ethernet	1* Intel i211AT GbE		
	1* Intel i219LM Gb	Internal I/O Port	2* USB2.0, 1* LVDS, 2* COM (COM3:
Graphic	1* HDMI 1.4 up to 4096*2160@24Hz, 1* DP up to		RS232/422/485), 1* GPIO, 1* Audio
	4096*2304@60Hz, 1* DVI-D up to 1920*1080@60Hz,		header, 1* PS/2, 1* onboard TPM (option)
	1* 24-bits Dual CH LVDS up to 1920x1200@60Hz		
Storage	4* SATAIII (6Gb/s) support RAID 0/1/5/10		
	1* mSATA (full size)	WDT	0~255 Sec./Min. programmable
		Power	24pin ATX + 4pin 12V
Expansion Slot	1* PCIe x16	Temperature	Operating: 0~60°C with 0.7 m/s air flow
	2* Mini PCIe (1* full size shared with mSATA &		Storage: -20~85°C
	1* half size)		
		Dimension	170 * 170mm (6.69" * 6.69")

*The Specification may be changed without further notice.
www.jetwayipc.com

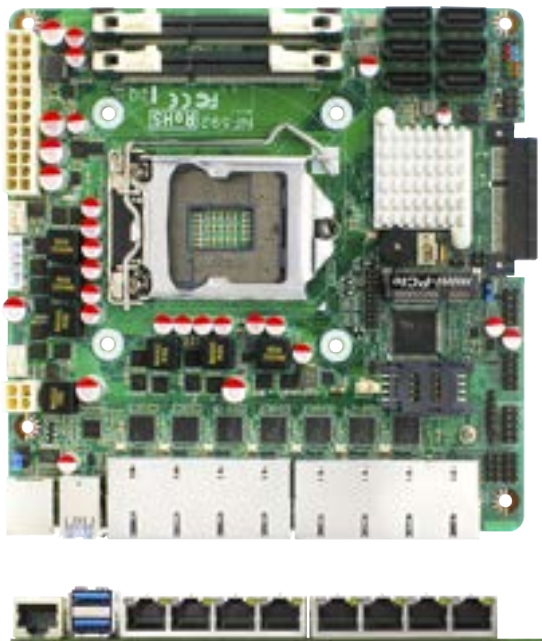
JNF592-Q170



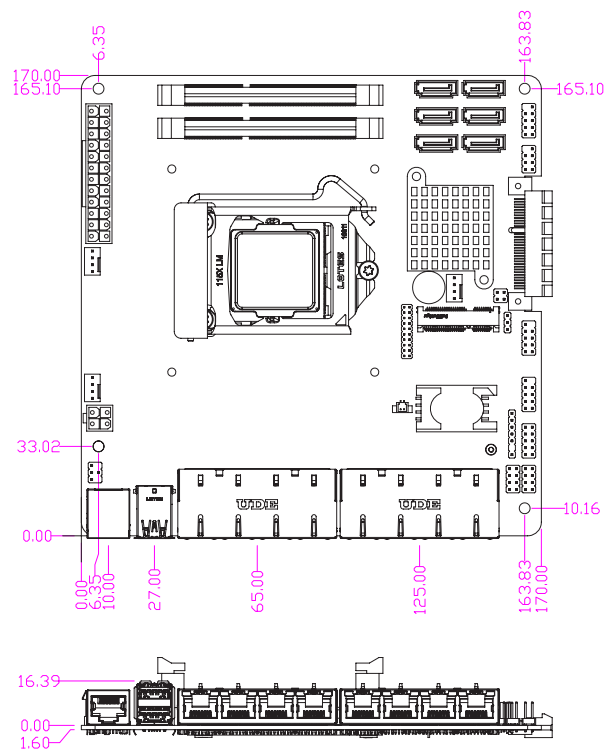
Features

- Support Intel 6th/7th LGA1151 socket processor with Intel Q170 chipset
- 2* DDR3L 1600MH SO-DIMM up to 16GB
- Support 1* HDMI, 8* Intel GbE
- Support 1* PCIe x4, 1* Mini PCIe
- Support 2* USB3.0, 4* USB2.0
- Slim Mini ITX Form Factor

Photo



Mechanical Dimension (mm)



Specification

Processor/Chipset	Intel LGA1151 Socket 6th/7th Processor with Q170 chipset	Rear I/O Port	8* RJ45, 2* USB3.0, 1* COM (RJ45 type)
Memory	2* DDR3L 1600MHz SO-DIMM up to 16GB		
Ethernet	7* Intel i211AT GbE 1* Intel i219LM GbE	Internal I/O Port	4* USB2.0, 1* GPIO, 1* Audio header, 1* PS/2, 1* HDMI
Graphic	1* HDMI 1.4 up to 4096×2160@24Hz		
Storage	6* SATAIII (6Gb/s) support RAID 0/1/5/10	WDT	0~255 Sec./Min. programmable
		Power	24pin ATX + 4pin 12V
Expansion Slot	1* PCIe x4 (Sideway) 1* Mini PCIe (full size) 1* SIM card slot	Temperature	Operating: 0~60°C with 0.7 m/s air flow Storage: -20~85°C
		Dimension	170 * 170mm (6.69" * 6.69")

*The Specification may be changed without further notice.
www.jetwayipc.com

MI24 Series

intel FC CE RoHS
COMPLIANT

Features

- Intel® Alder Lake-P SoC Processor
- 2* DDR5 4800MHz SO-DIMM up to 64GB
- 2* M.2 M-key up to support 2280, 1* M.2 E-key for WiFi, 1* M.2 B-key for 4G/5G module, 1* SIM card, 1* PCIe Gen.3 x1
- 2* HDMI, 1* LVDS (eDP optional) support
- 4* RS232, 2* RS232/422/485, 1* SATAIII (6Gb/s)
- 2* USB3.2 (Gen.2), 2* USB3.2 (Gen.2) Type-C support ALT mode, 7* USB2.0
- Onboard TPM2.0 (option)
- 12V DC-in PWR

Photo



Mechanical Dimension (mm)

Coming Soon

Specification

Processor/Chipset	Intel Alder Lake-U/Raptor Lake-U Series SoC Processor	Rear I/O Port	2* USB3.2 (Gen.2) Type-A, 2* USB3.2 (Gen.2) Type-C support ALT mode,
Memory	2* DDR5 4800MHz SO-DIMM up to 64GB		4* USB2.0, 2* HDMI, 2* RJ45, 1* Audio (Line-out/MIC combo), 12V DC-in
Ethernet	1* Intel i226-LM 2.5GbE	Internal I/O Port	3* USB2.0, 4* RS232, 2* RS232/422/485,
	1* Intel i226-V 2.5GbE		1* SATAIII, 1* Audio Header, 1* PS/2,
Graphic	1* DVI-D up to 1920x1200@60Hz		1* SMBUS, 1* GPIO, 1* AT mode
	1* VGA up to 1920x1200@60Hz		
Storage	1* SATAIII (6Gb/s), 1* M.2 M-key 2242/2280 (PCIe Gen.4 x4 interface) support NVMe, 1* M.2 M-key 2242 (SATA interface)	WDT	0~255 Sec./Min. programmable
Expansion Slot	1* M.2 E-key 2230 (USB2.0/PCIe x1 interface) support CNVi, 1* M.2 B-key 3042/3052 (USB3.1/USB2.0/PCIe x1 interface), 1* PCIe Gen.3 x1	Power	12V DC IN
		Temperature	Operating: 0~60°C with 0.7 m/s air flow Storage: -20~85°C
		Dimension	170 * 170mm (6.69" * 6.69")

*The Specification may be changed without further notice.
www.jetwayipc.com

JLI1U-20



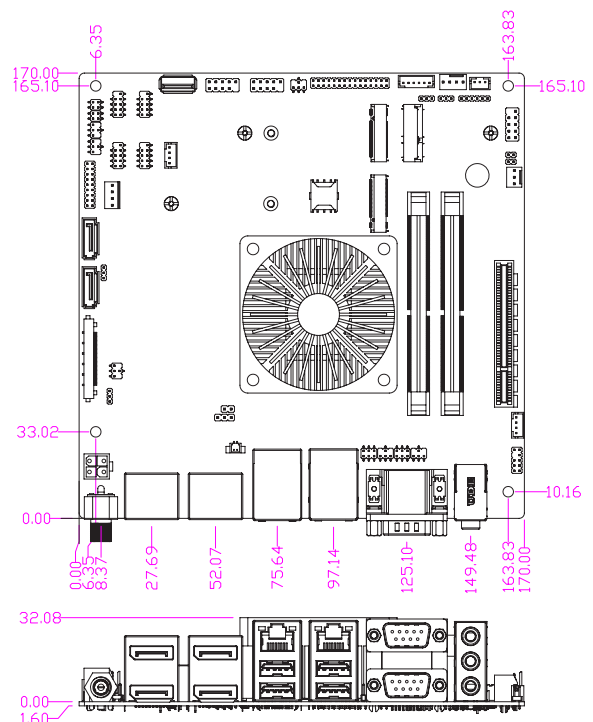
Features

- AMD™ RYZEN™ V1605B 2.0GHz/QC Core Processor
- 2* DDR4 2400MHz up to 32GB
- 2* Realtek® RTL8111H GbE
- 2* SATA III (6Gb/s), 1* M.2 M key (PCIe x2)
- 4* DP(DP0 Co-lay eDP, DP1 Co-lay LVDS)
- 2* RS232/422/485, 4* RS232, 2* USB3.2 (Gen1), 8* USB2.0
- 1* M.2 E key, 1* M.2 B key support 4G/5G Module
- 12~28V DC-in
- MINI ITX Form Factor (170 *170 mm)
- Support TPM2.0 (JLI1U-22)

Photo



Mechanical Dimension (mm)



Specification

Processor/Chipset	AMD™ RYZEN™ V1605B 2.0GHz/QC Core Processor	Rear I/O Port	4* DP, 2* RJ45, 2* USB 3.2 (Gen1), 2* USB2.0, 2* RS232/422/485, 1* Audio jack, 12~28V DC-in
Memory	2* DDR4 2400MHz SO-DIMM up to 32GB	Internal I/O Port	6* USB2.0 (1* Erect), 4* RS232, 2* SATAIII, 1* 16bit GPIO, 1* AT mode, 1* I2C/SMBUS, 1* PS/2
Ethernet	2* Realtek® RTL8111H GbE	WDT	0~255 Sec./Min. programmable
Graphic	4* DP1.4 up to 4096×2160@60Hz or 3840×2160@120Hz, 1* 24-bits Dual CH LVDS up to 1920x1200@60Hz (Co-lay DP1, Factory Option), 1* eDP up to 3840×2160@60Hz (Co-lay DP0, Factory Option)	Power	12~28V DC IN
Storage	2* SATAIII (6Gb/s, SATA1 Support SATA DOM) 1* M.2 M-key 2242/2280 (PCIe x2 interface)	Temperature	Operating: 0~60°C with 0.7 m/s air flow Storage: -20~85°C
Expansion Slot	1* M.2 E-key (2230), 1* M.2 B-key (3042/3052), 1* PCIe x8 slot, 1* Nano SIM Card slot	Dimension	170 * 170mm (6.69" * 6.69")

*The Specification may be changed without further notice.
www.jetwayipc.com

JLI1U-60



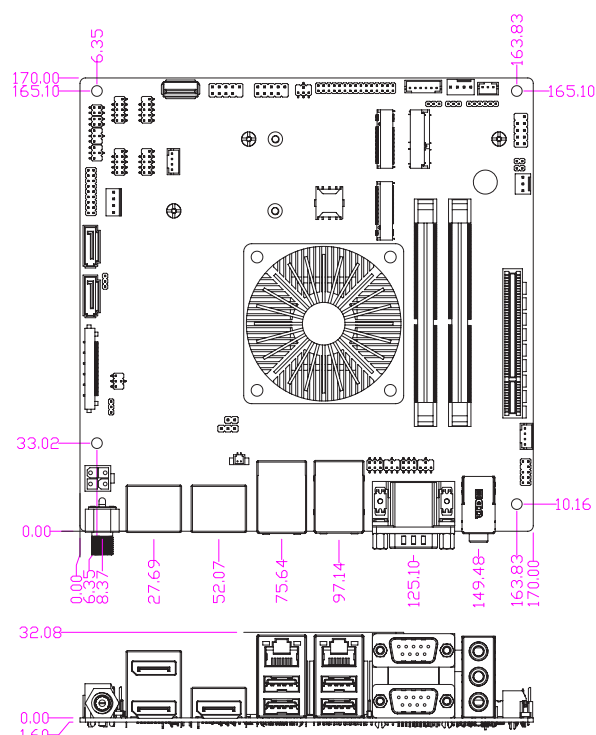
Features

- AMD RYZEN R1305G 1.5GHz/DC Core Processor
- 2* DDR4 2400MHz up to 32GB
- 2* Realtek® RTL8111H GbE
- 2* SATA III (6Gb/s), 1* M.2 M key (PCIe x2)
- 3* DP(DP0 Co-lay eDP, DP1 Co-lay LVDS)
- 2* RS232/422/485, 4* RS232, 2* USB3.2 (Gen1), 8* USB2.0
- 1* M.2 B key support 4G/5G Module
- 12~28V DC-in
- MINI ITX Form Factor (170 *170 mm)
- Support TPM2.0 (JLI1U-62)

Photo



Mechanical Dimension (mm)



Specification

Processor/Chipset	AMD RYZEN R1305G 1.5GHz/DC Core Processor	Rear I/O Port	3* DP, 2* RJ45, 2* USB 3.2 (Gen1), 2* USB2.0, 2* RS232/422/485, 1* Audio jack, 12~28V DC-in
Memory	2* DDR4 2400MHz SO-DIMM up to 32GB	Internal I/O Port	6* USB2.0 (1* Erect), 4* RS232, 2* SATAIII, 1* 16bit GPIO, 1* AT mode, 1* I2C/SMBUS, 1* PS/2
Ethernet	2* Realtek® RTL8111H GbE	WDT	0~255 Sec./Min. programmable
Graphic	3* DP1.3 up to 3840×2160@60Hz, 1* 24-bits Dual CH LVDS up to 1920x1200@60Hz (Co-lay DP1, Factory Option), 1* eDP up to 3840×2160@60Hz (Co-lay DP0, Factory Option)	Power	12~28V DC IN
Storage	2* SATAIII (6Gb/s, SATA1 Support SATA DOM) 1* M.2 M-key 2242/2280 (PCIe x2 interface)	Temperature	Operating: 0~60°C with 0.7 m/s air flow Storage: -20~85°C
Expansion Slot	1* M.2 B-key (3042/3052) 1* PCIe x8 slot (PCIe x4 interface) 1* Nano SIM Card slot	Dimension	170 * 170mm (6.69" * 6.69")

*The Specification may be changed without further notice.
www.jetwayipc.com

MF10 Series



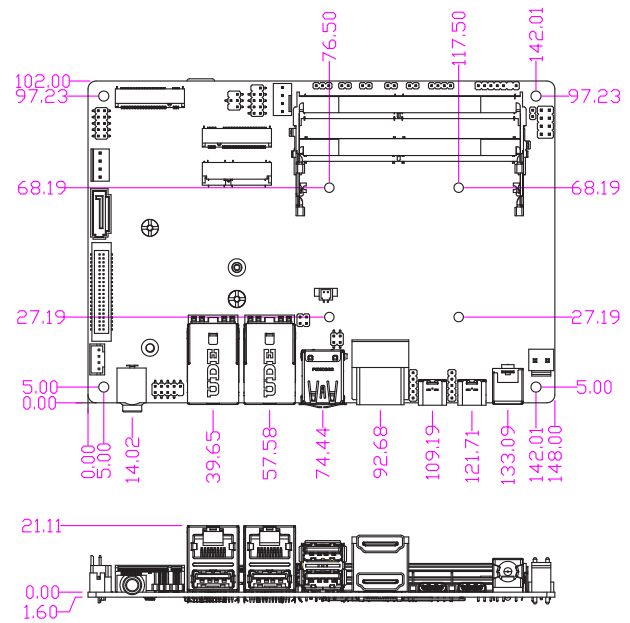
Features

- Intel® Tiger Lake-UP3 SoC Processor (TDP 12~28W)
- 2* DDR4-3200MHz SO-DIMM up to 64GB
- 1* Intel i219-LM 1.0GbE, 1* Intel i225V 2.5GbE
- 2* HDMI, 2* DP1.4 (from Type-C), 1* eDP
- 1* RS232, 3* USB3.2 (Gen.2), 5* USB2.0, 2* USB 3.2 (Gen. 2) Type-C support DP1.4 display output
- 1* M.2 M-key 2242/2280, PCIe 4.0 x4/SATA interface support NVMe, 1* SATAIII (6Gb/s)
- 1* M.2 E-key 2230, USB2.0/PCIe x1 interface support CNVi, 1* M.2 B-Key 3042/3052, USB3.1/USB2.0/PCIe x1 interface
- Onboard TPM 2.0 (MF10-22 / MF10-92)

Photo



Mechanical Dimension (mm)



Specification

Processor/Chipset	Intel Tiger Lake-UP3 Series SoC Processor	Rear I/O Port	3* USB3.2 (Gen.2), 1* USB2.0, 2* USB3.2 (Gen.2) Type-C support DP1.4 display output, 2* HDMI, 2* RJ45, 1* SIM card slot, Line-out/MIC Combo, 12-24V DC-in
Memory	2* Dual CH DDR4 3200MHz SO-DIMM up to 64GB	Internal I/O Port	2* USB 2.0, 1* PS/2, 1* COM (RS232), 1* SATAIII, 1* 8bit GPIO, 1* SMBUS, 1* AT mode, TPM2.0 (MF10-22 & MF10-92)
Ethernet	1* Intel i219-LM 1.0GbE 1* Intel i225V 2.5GbE	WDT	0~255 Sec./Min. programmable
Graphic	2* HDMI 2.0b up to 4096×2160@60Hz 2* DP1.4 up to 4096×2304@60Hz from Type-C 1* eDP up to 4096×2304@60Hz	Power	12~24V DC IN
Storage	1* SATAIII (6Gb/s) 1* M.2 M-key 2242/2280 (PCIe 4.0 x4/SATA interface) support NVMe	Temperature	Operating: 0~60°C with 0.7 m/s air flow Storage: -20~85°C
Expansion Slot	1* M.2 E-key 2230 (USB2.0/PCIex1 interface) 1* M.2 B-Key 3042/3052 (USB3.1/USB2.0/PCIe x1 interface)	Dimension	148 * 102mm (5.83" * 4.01")

*The Specification may be changed without further notice.
www.jetwayipc.com

MF05V Series

intel FC CE RoHS
COMPLIANT

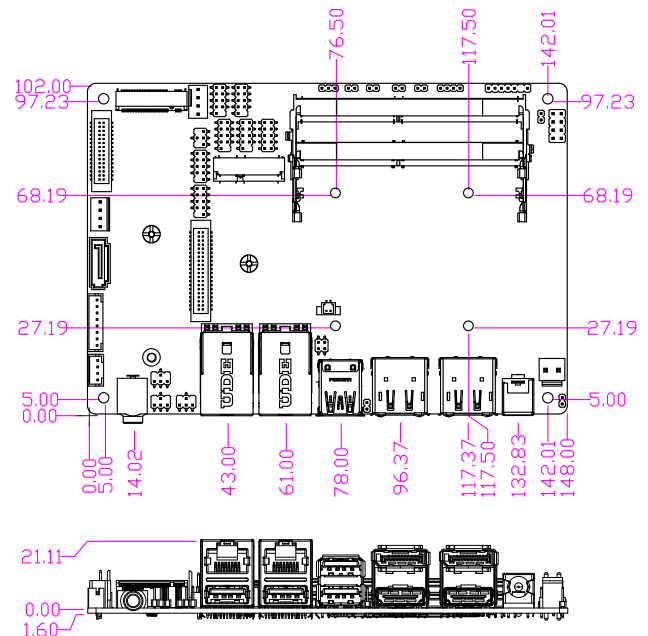
Features

- Intel® Tiger Lake-UP3 SoC Processor (TDP 12~28W)
- 2* DDR4-3200MHz SO-DIMM up to 64GB
- 1* Intel® i219-LM 1.0GbE, 1* Intel i225-V 2.5GbE
- 2* HDMI, 2* DisplayPort, 1* eDP, 1* LVDS
- 4* COM (COM1/COM2 support RS232/422/485),
- 4* USB3.2 (Gen.2), 4* USB2.0
- 1* M.2 M-key 2242/2280, PCIe 4.0 x4 interface support NVME
- 1* M.2 E-key 2230, USB2.0/PCIe x1 interface support CNVi
- Onboard TPM 2.0 (MF05V22 / MF05V92)

Photo



Mechanical Dimension (mm)



Specification

Processor/Chipset	Intel Tiger Lake-UP3 Series SoC Processor	Rear I/O Port	4* USB3.2(Gen. 2), 2* DP, 2* HDMI, 2* RJ45, Line-out/MIC Combo, 12-24V DC-in
Memory	2* Dual CH DDR4 3200MHz SO-DIMM up to 64GB	Internal I/O Port	4* USB 2.0, 1* PS/2, 2* RS232/422/485, 2* RS232, 1* SATAIII, 1* 8bit GPIO, 1* SMBUS, 1* AT mode, TPM2.0 (MF05V22 & MF05V92)
Ethernet	1* Intel i219-LM 1.0GbE 1* Intel i225-V 2.5GbE	WDT	0~255 Sec./Min. programmable
Graphic	2* HDMI 2.0b up to 4096×2160@60Hz, 2* DP1.4 up to 4096×2304@60Hz, 1* 24-bits Dual CH LVDS up to 1920x1200@60Hz, 1* eDP up to 4096×2304@60Hz	Power	12~24V DC IN
Storage	1* SATAIII (6Gb/s) 1* M.2 M-key 2242/2280 (PCIe 4.0 x4 interface) support NVME	Temperature	Operating: 0~60°C with 0.7 m/s air flow Storage: -20~85°C
Expansion Slot	1* M.2 E-key 2230 (USB2.0/PCIex1 interface) support CNVi	Dimension	148 * 102mm (5.83" * 4.01")

*The Specification may be changed without further notice.
www.jetwayipc.com

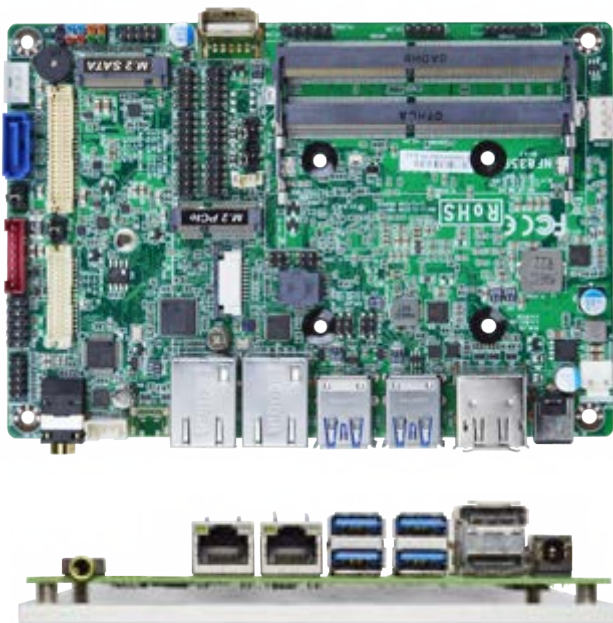
JNF835V-5205U Series

intel FC CE RoHS
COMPLIANT

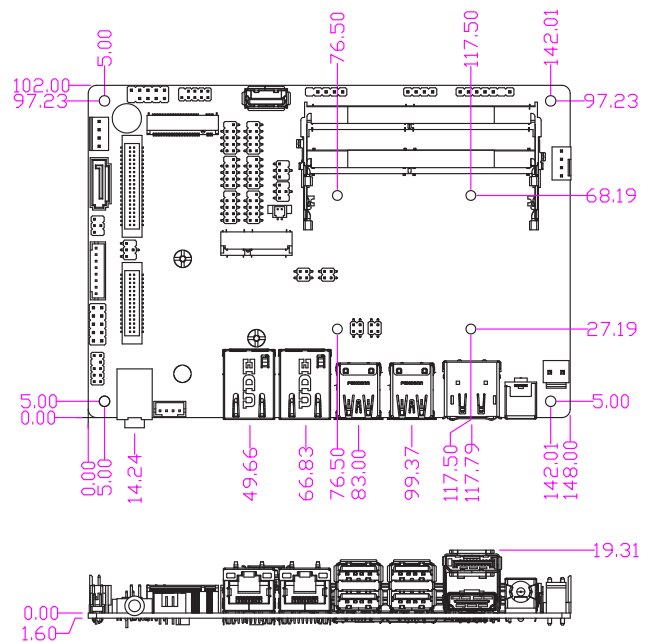
Features

- Intel® Comet Lake 5205U (Dual Core, 1.9GHz) SoC Processor (TDP 15W)
- 2* DDR4 2400MHz SO-DIMM up to 64GB
- 1* GbE, 1* 2.5GbE
- 1* HDMI, 1* DP, 1* eDP, 1* 24-bits Dual CH LVDS
- 6* COM (COM1 support RS232/422/485),
- 4* USB3.1 Gen.1, 4* USB2.0 (1 Erect)
- 1* M.2 M-key (2242/2280, SATA interface), 1* M.2 E-key (2230, PCIe interface) Support CNVi
- 1* SATA III (6Gb/s)
- Support onboard TPM 2.0 (option)
- Support Wide Voltage 9~24V DC-in

Photo



Mechanical Dimension (mm)



Specification

Processor/Chipset	Intel® Comet Lake 5205U SoC Processor	Rear I/O Port	4* USB3.1 (Gen.1), 1* DP, 1* HDMI, 2* RJ45, Line-out, 9-24V DC-in
Memory	2* DDR4 2400MHz SO-DIMM up to 64GB		
Ethernet	1* Intel i219LM GbE 1* Intel i225V 2.5GbE	Internal I/O Port	1* USB2.0 (Erect), 3* USB 2.0, 1* PS/2, 1* RS232/422/485, 5* RS232, 1* SATAIII, 1* 8bit GPIO, 1* Audio Header, 1* SMBUS, 1* AT mode, TPM2.0 (option)
Graphic	1* HDMI 1.4 up to 4096x2160@30Hz, 1* DP up to 4096x2304@60Hz, 1* 24-bits Dual CH LVDS up to 1920x1200@60Hz, 1* eDP up to 4096x2304@60Hz	WDT	0~255 Sec./Min. programmable
Storage	1* SATAIII (6Gb/s) 1* M.2 M-key 2242/2280 (SATA interface)	Power	9~24V DC IN
Expansion Slot	1* M.2 E-key 2230 (PCIe x1 interface) Support CNVi	Temperature	Operating: 0~60°C with 0.7 m/s air flow Storage: -20~85°C
	Dimension		148 * 102mm (5.83" * 4.01")

*The Specification may be changed without further notice.
www.jetwayipc.com

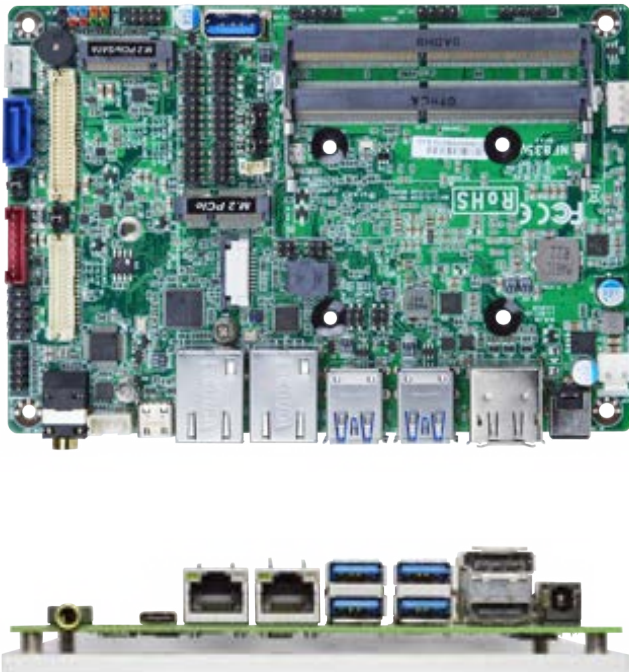
JNF835V-8365UE Series



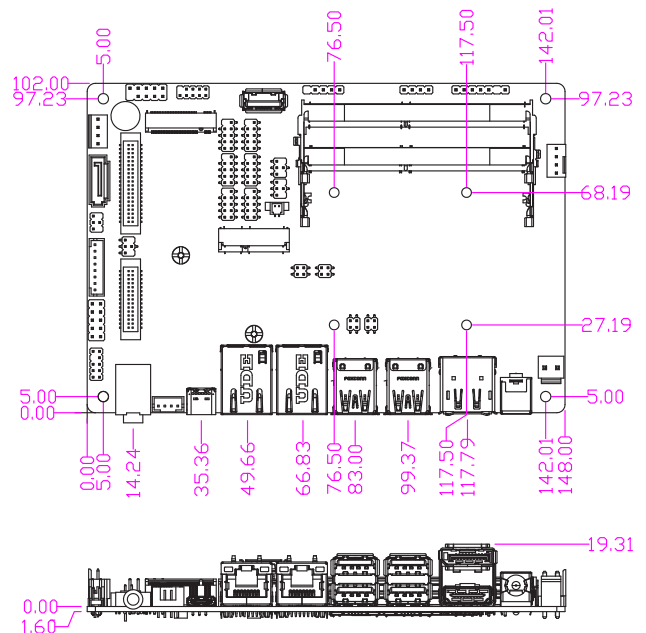
Features

- Intel® Whiskey Lake-U SoC Processor (TDP 15W)
- 2* DDR4 2400MHz SO-DIMM up to 64GB
- 1* GbE, 1* 2.5GbE
- 1* HDMI, 1* DP, 1* eDP, 1* 24-bits Dual CH LVDS
- 6* COM (COM1 support RS232/422/485), 4* USB3.1 (Gen.2), 1* USB3.1(Gen.2) for Type C, 1* USB3.1 (Gen.1, Erect), 3* USB2.0
- 1* M.2 M-key (2242/2280, PCIe3.0 x4/SATA interface) support NVMe, 1* M.2 E-key (2230 w/ CNVi)
- 1* SATA III (6Gb/s)
- Support onboard TPM 2.0
- Support Wide Voltage 9~24V DC-in

Photo



Mechanical Dimension (mm)



Specification

Processor/Chipset	Intel Whiskey Lake Series SoC Processor	Rear I/O Port	4* USB3.1(Gen2), 1* USB3.1(Gen2) Type C, 1* DP, 1* HDMI, 2* RJ45, Line-out, 9-24V DC-in
Memory	2* DDR4 2400MHz SO-DIMM up to 32GB	Internal I/O Port	1* USB3.1 (Gen.1) Erect, 3* USB 2.0, 1* PS/2, 1* RS232/422/485, 5* RS232, 1* SATAIII, 1* 8bit GPIO, 1* Audio Header, 1* I2C, 1* AT mode, TPM2.0
Ethernet	1* Intel i219LM GbE 1* Intel i225V 2.5GbE	WDT	0~255 Sec./Min. programmable
Graphic	1* HDMI 1.4 up to 4096x2160@30Hz, 1* DP up to 4096x2304@60Hz, 1* 24-bits Dual CH LVDS up to 1920x1200@60Hz, 1* eDP up to 4096x2304@60Hz	Power	9~24V DC IN
Storage	1* SATAIII (6Gb/s) 1* M.2 M-key 2242/2280 (SATA/PClex4 interface) Support NVMe	Temperature	Operating: 0~60°C with 0.7 m/s air flow Storage: -20~85°C
Expansion Slot	1* M.2 E-key 2230 (PCIe x1 interface) Support CNVi	Dimension	148 * 102mm (5.83" * 4.01")

*The Specification may be changed without further notice.
www.jetwayipc.com

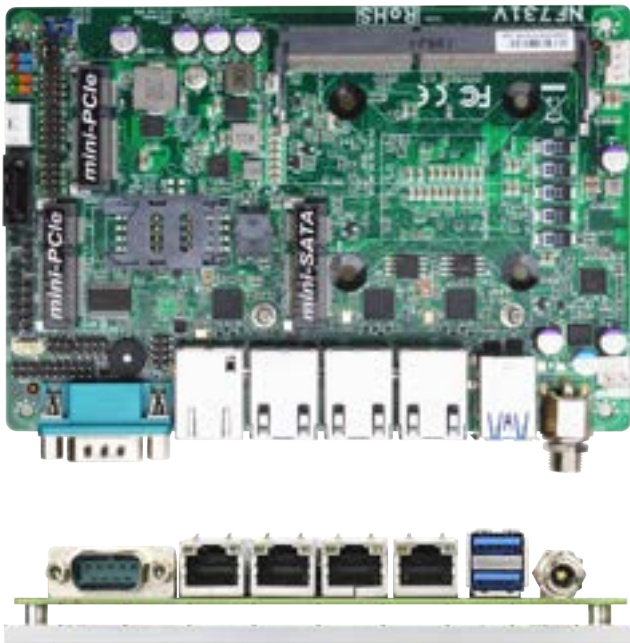
JNF731V Series



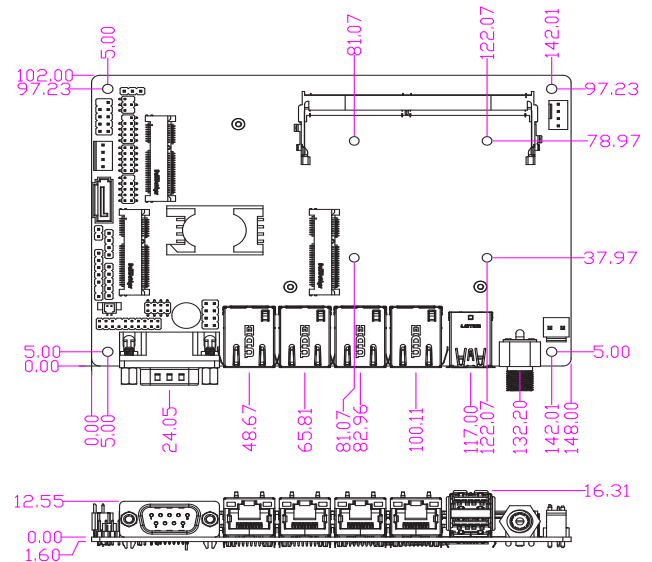
Features

- Intel® Skylake/Kabylake U-series Processor (TDP 15W)
- 1* 260-pin DDR4 2133MHz SODIMM Up to 16 GB
- 3* Intel i225V 2.5GbE, 1* Intel i219LM GbE
- Support Intel AES NI and TPM (option) to secure customers' data
- 1* RS232 Console, 2* USB3.0 & 3* USB2.0, 1* HDMI
- 2* Mini PCIe Slots (1* full size & 1* half size), 1* SIM card holder
- 12V DC-in power

Photo



Mechanical Dimension (mm)



Specification

Processor/Chipset	Intel Skylake-U/Kabylake-U SoC Processor	Rear I/O Port	4* RJ45, 2* USB3.0, 1* COM, 1* DC-in
Memory	1* DDR4 2133MHz SO-DIMM up to 16GB		
Ethernet	3* Intel i225V 2.5GbE 1* Intel i219LM GbE	Internal I/O Port	3* USB2.0, 1* RS232/422/485, 1* GPIO, 1* HDMI, 1* PS/2, onboard TPM2.0 (option)
Graphic	1* HDMI up to 4096x2304@24Hz		
Storage	1* SATAIII (6Gb/s) 1* mSATA (full size)	WDT	0~255 Sec./Min. programmable
Expansion Slot	1* Mini PCIe (full size) 1* Mini PCIe (half size) 1* SIM card slot	Power	12V DC IN
		Temperature	Operating: 0~60°C with 0.7 m/s air flow Storage: -20~85°C
		Dimension	148 * 102mm (5.83" * 4.01")

*The Specification may be changed without further notice.
www.jetwayipc.com

JNF632N Series



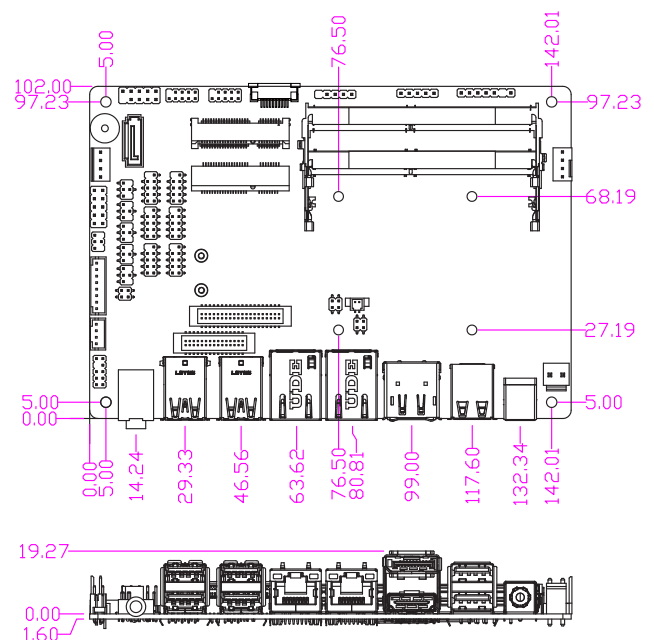
Features

- Intel® Skylake-U / Kabylake-U SoC Processor (Default: i5-7300U, TDP 15W)
- 2* DDR4 SO-DIMM slot up to 32GB
- Support DP, HDMI, eDP/LVDS (triple display)
- Realtek ALC888S Audio CODEC
- 1* SATAIII, 1* mSATA (shared with mPCIe), 1* full size mPCIe (shared with mSATA), 1* half size mPCIe
- 5* Internal RS232, 1* Internal RS232/422/485, 4* External USB3.0, 2* External USB1.1/2.0, 5* Internal USB1.1/2.0, 2* GbE
- Support Wide Voltage 9~24V DC-in

Photo



Mechanical Dimension (mm)



Specification

Processor/Chipset	Intel Skylake-U/Kabylake-U SoC Processor	Rear I/O Port	1* DP, 1* HDMI, 2* RJ45, 4* USB3.0, 2* USB2.0, Line-out, 1* DC-in
Memory	2* DDR4 2133MHz SO-DIMM up to 32GB	Internal I/O Port	1* eDP, 1* LVDS, 5* USB2.0, 6* COM (COM1: RS232/422/485), 1* GPIO, 1* Audio Header, 1* PS/2, 1* onboard TPM (option)
Ethernet	1* Intel® i219LM GbE 1* Intel® i211AT GbE	WDT	0~255 Sec./Min. programmable
Graphic	1* HDMI up to 4096x2304@24Hz, 1* DP up to 4096x2304@60Hz, 1* 24-bits Dual CH LVDS up to 1920x1200@60Hz, 1* eDP up to 4096x2304@60Hz	Power	9~24V DC IN
Storage	1* SATAIII (6Gb/s) 1* mSATA (ful size, shared)	Temperature	Operating: 0~60°C with 0.7 m/s air flow Storage: -20~85°C
Expansion Slot	2* Mini PCIe (1* full size, 1* half size)	Dimension	148 * 102mm (5.83" * 4.01")

*The Specification may be changed without further notice.
www.jetwayipc.com

MF20-00 Series

intel FC CE RoHS
COMPLIANT

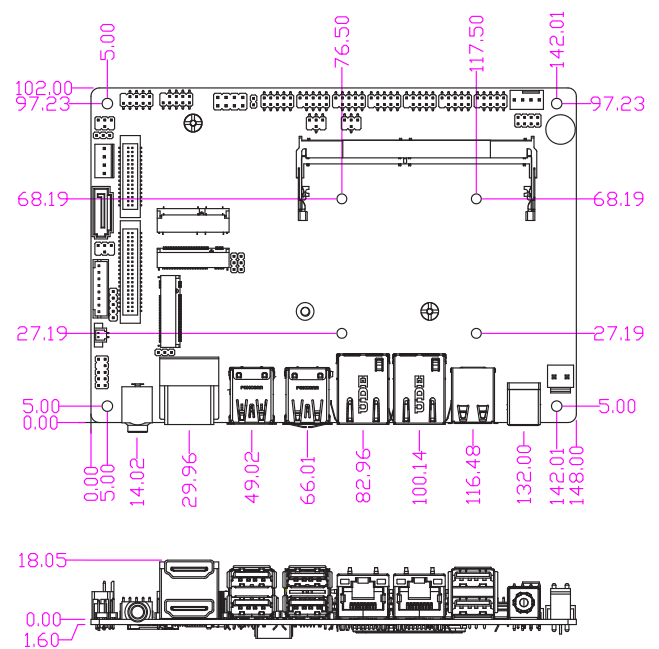
Features

- Intel® Elkhart Lake SoC Processor
- 1* DDR4 3200MHz SO-DIMM up to 32GB
- 2* Intel i225V 2.5GbE
- 2* HDMI 2.0b, 1* eDP (co-layout LVDS), 1* LVDS w/Inverter
- 6* COM, 3* USB3.1 (Gen.2), 7* USB2.0
- 1* M.2 E-key 2230, 1*M.2 B-key 3042 W/SIM card slot
- 1* M.2 M-key 2242/2280, 1* SATAIII (6Gb/s)
- Support 12~24V DC-in

Photo



Mechanical Dimension (mm)



Specification

Processor/Chipset	Intel® Elkhart Lake J6412 SoC Processor	Rear I/O Port	3* USB3.1 (Gen.2), 3* USB2.0, 2* HDMI, 2* RJ45, 1* Line-out/MIC combo jack, 12~24V DC-in jack
Memory	1* DDR4 3200MHz SO-DIMM up to 32GB	Internal I/O Port	4* USB2.0, 5* RS232, 1* RS232/422/485, 1* SATAIII, 1* 32GB eMMC (MF20-03/MF20-07), 1* SIM card slot, 1* 8bit GPIO, 1* Audio Header, 1* SMBUS, 1* AT mode, TPM2.0 (MF20-02/MF20-07)
Ethernet	2* Intel® i225V 2.5GbE	WDT	0~255 Sec./Min. programmable
Graphic	2* HDMI 2.0b up to 4096x2160@60Hz 1* 24-bits Dual CH LVDS up to 1920x1200@60Hz 1* eDP up to 4096x2160@60Hz	Power	12~24V DC IN
Storage	1* SATAIII (6Gb/s), 1* M.2 M-key 2242/2280 (PCIe Gen.3 x2/SATA interface) support NVME, 32GB eMMC (MF20-03 & MF20-07)	Temperature	Operating: 0~60°C with 0.7 m/s air flow Storage: -20~85°C
Expansion Slot	1* M.2 E-key 2230 (USB2.0/PCIe Gen.3 x1 interface) 1* M.2 B-key 3042 (USB3.1/USB2.0 interface) W/SIM card slot	Dimension	148 * 102mm (5.83" * 4.01")

*The Specification may be changed without further notice.
www.jetwayipc.com

MF04V00 Series



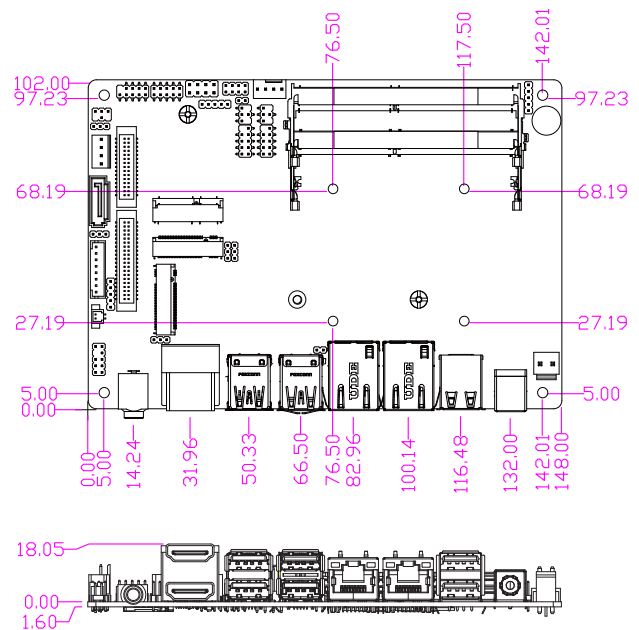
Features

- Intel® Elkhart Lake SoC Processor
- 2* DDR4 3200MHz Dual Channel SO-DIMM up to 32GB
- 2* Intel i225V 2.5GbE
- 2* HDMI2.0b, 1* eDP (co-layout LVDS)
- 2* COM, 3* USB3.1 (Gen.2), 5* USB2.0
- 1* M.2 E-key 2230, 1* M.2 B-key 3042 W/SIM card slot
- 1* M.2 M-key 2242/2280, 1* SATAIII (6Gb/s), 32GB eMMC (option)
- Support 12~24V DC-in PWR

Photo



Mechanical Dimension (mm)



Specification

Processor/Chipset	Intel® Elkhart Lake J6412 SoC Processor	Rear I/O Port	3* USB3.1 (Gen.2), 3* USB2.0, 2* HDMI, 2* RJ45, Line-out/MIC combo jack, 12~24V DC-in jack
Memory	2* DDR4 3200MHz SO-DIMM up to 32GB	Internal I/O Port	2* USB2.0, 1* RS232, 1* RS232/422/485, 1* SATAIII, 1* SIM card slot, 1* 8 bit GPIO, 1* Audio Header, 1* SMBUS, 1* AT mode, TPM2.0 (MF04V02 & MF04V07)
Ethernet	2* Intel® i225V 2.5GbE	WDT	0~255 Sec./Min. programmable
Graphic	2* HDMI 2.0b up to 4096x2160@60Hz 1* 24-bits Dual CH LVDS up to 1920x1200@60Hz 1* eDP up to 4096x2160@60Hz	Power	12~24V DC IN
Storage	1* SATAIII (6Gb/s), 1* M.2 M-key 2242/2280 (PCIe Gen.3 x2/SATA interface) Support NVME, 32GB eMMC (MF04V03 & MF04V07)	Temperature	Operating: 0~60°C with 0.7 m/s air flow Storage: -20~85°C
Expansion Slot	1* M.2 E-key 2230 (USB2.0/PCIe Gen.3 x1 interface) 1* M.2 B-key 3042 (USB3.1/USB2.0 interface) W/SIM card slot	Dimension	148 * 102mm (5.83" * 4.01")

*The Specification may be changed without further notice.
www.jetwayipc.com

MF13-00 Series

intel FC CE RoHS
COMPLIANT

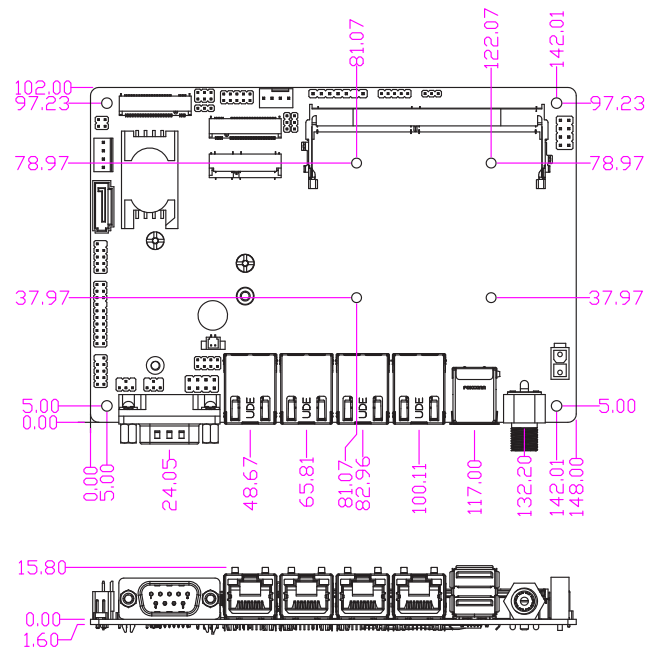
Features

- Intel® Elkhart Lake J6412 Soc Processor
- 1* DDR4 3200MHz SODIMM memory up to 32GB
- 2* COM (RS232/422/485)
- 1* External USB3.1 Gen.2, 1* External USB2.0, 2* Internal USB2.0
- 4* Intel® i225V 2.5GbE
- 1* SATAIII (6Gb/s), 1* M.2 M-key, 2242/2280 (SATA/PCIe Gen.3 x2) support NVMe, 1*M.2 E-key, 2230 (USB2.0/PCIe Gen.3 x1), 1* M.2 B-key, 3042/3052 (USB3.1), 1* SIM card slot
- Lockable +12V DC-in PWR jack

Photo



Mechanical Dimension (mm)



Specification

Processor/Chipset	Intel® Elkhart Lake J6412 SoC Processor	Rear I/O Port	1* USB3.1 Gen.2, 1* USB2.0, 1* RS232/422/485, 4* RJ45, 12V lockable DC-in
Memory	1* DDR4 3200MHz SO-DIMM up to 32GB	Internal I/O Port	2* USB2.0, 1* SATAIII, 1* RS232/422/485, 1* GPIO, 1* PS/2, 1* SMBUS, 1* AT mode
Ethernet	4* Intel i225V 2.5GbE		
Graphic	1* HDMI 1.4b up to 3840×2160@30Hz		
Storage	1* SATAIII (6Gb/s), 1* M.2 M-key 2242/2280 (SATA/ PCIe Gen.3 ×2 interface) support NVMe, 32GB eMMC (MF13-03)	WDT	0~255 Sec./Min. programmable
Expansion Slot	1* M.2 E-key 2230 (USB2.0/PCIe Gen.3 ×1 interface) 1* M.2 B-key 3042/3052 (USB3.1 interface) W/SIM card slot	Power	12V DC IN
		Temperature	Operating: 0~60°C with 0.7 m/s air flow Storage: -20~85°C
		Dimension	148 * 102mm (5.83" * 4.01")

*The Specification may be changed without further notice.
www.jetwayipc.com

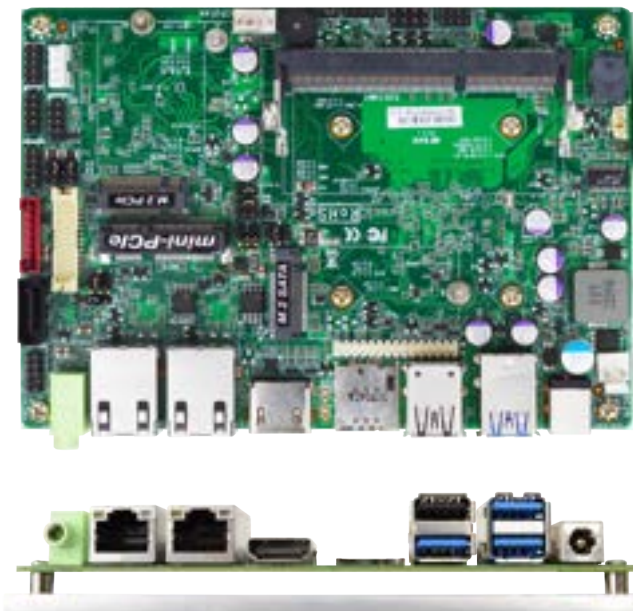
MF94V Series



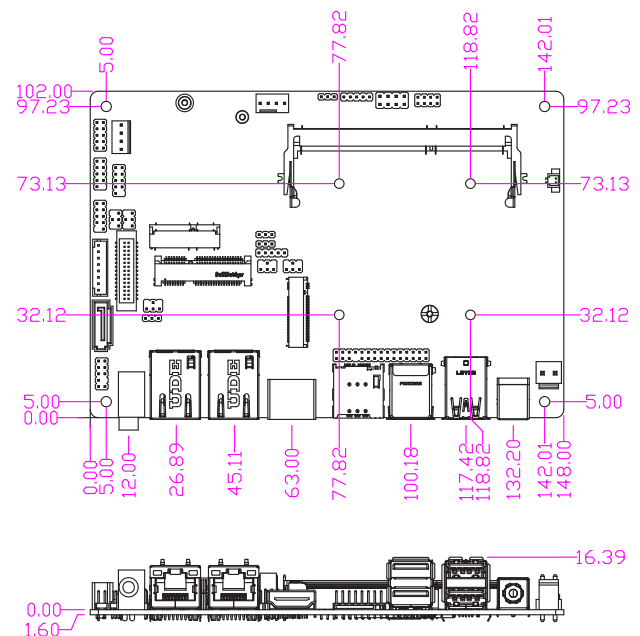
Features

- Intel® Apollo Lake SoC Processor
- 1* DDR3L 1866MHz SO-DIMM up to 8GB
- 2* 10/100/1000/2500 Base-TX Ethernet Ports
- 1* HDMI, 1* eDP, 1* LVDS
- 2* COM, 3* USB3.1 (Gen.1), 3* USB2.0
- 1* M.2 M-key 2242, 1* M.2 B-key 3042 W/ SIM card holder
- 1* Full size Mini-PCIe, 1* SATA III (6Gb/s)
- Support 9~36V DC-in PWR

Photo



Mechanical Dimension (mm)



Specification

Processor/Chipset	Intel Apollo Lake SoC Processor	Rear I/O Port	3* USB3.1 (Gen1), 1* USB2.0, 1* HDMI, 2* RJ45, 1* SIM card holder (w/M.2 B-key, 3042), Line-Out, 1* DC-in
Memory	1* DDR3L 1866MHz SO-DIMM up to 8GB	Internal I/O Port	2* USB2.0, 1* RS232, 1* RS232/422/485, 1* GPIO, 1* Audio Header, TPM2.0 (option)
Ethernet	2* Intel i225V 2.5GbE	WDT	0~255 Sec./Min. programmable
Graphic	1* HDMI1.4b up to 3840×2160@30Hz 1* 24-bits Dual CH LVDS up to 1920×1200@60Hz 1* eDP1.3 up to 3840×2160@60Hz	Power	9~36V DC IN
Storage	1* SATAIII (6Gb/s) 1* M.2 M-key 2242 (SATA interface)	Temperature	Operating: MF94-00: 0°C ~ 60°C / MF94-90: -40°C ~ 85°C Storage: -40°C ~ 85°C
Expansion Slot	1* M.2 M-key 2242 (SATA interface) 1* M.2 B-key 3042 (USB3.0 & PCIe x1 interface) W/ SIM card slot 1* full size Mini-PCIe (USB2.0 & PCIe x1 interface)	Dimension	148 * 102mm (5.83" * 4.01")

*The Specification may be changed without further notice.
www.jetwayipc.com

JNF631R-3455

intel FC CE RoHS
COMPLIANT

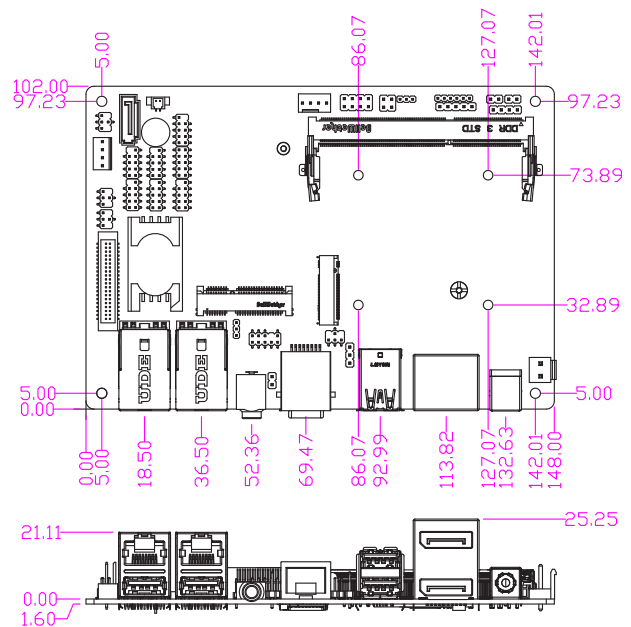
Features

- Intel® Apollo Lake SoC Processor
- Support 1* DDR3L SO-DIMM, up to 8GB
- Support 2* Display Port & 1* eDP port
- Support Triple Display, Max 4K@60Hz resolution
- 1* External RS232(RJ45 Type) & 5* Internal COM (COM2 support RS232/422/485)
- 4* External USB3.0 & 2* Internal USB2.0
- 1* full size Mini PCIe , 1* M.2 SATA interface
- SIM card holder & Micro SD socket

Photo



Mechanical Dimension (mm)



Specification

Processor/Chipset	Intel Apollo Lake J3455 SoC Processor	Rear I/O Port	2* DP, 2* RJ45, 4* USB 3.0, 1* COM (RJ45 type), 1* Line-out/MIC Combo, 1* DC-in, 1* micor SD card slot
Memory	1* DDR3L 1866MHz SO-DIMM up to 8GB	Internal I/O Port	2* USB2.0, 4* RS232, 1* RS232/422/485, 1* GPIO, 1* PS/2
Ethernet	2* Realtek RTL8119I GbE	WDT	0~255 Sec./Min. programmable
Graphic	2* DP 1.2 up to 4096x2160@60Hz 1* eDP1.3 up to 3840x2160@60Hz	Power	12V DC IN
Storage	1* SATAIII (6Gb/s) 1* M.2 M-key 2242 (SATA interface)	Temperature	Operating 0~60°C with 0.7 m/s air flow Storage -20~85°C
Expansion Slot	1* Mini PCIe (full size) 1* SIM card slot	Dimension	148 * 102mm (5.83" * 4.01")

*The Specification may be changed without further notice.
www.jetwayipc.com

JNF531R-3160

intel FC CE RoHS
COMPLIANT

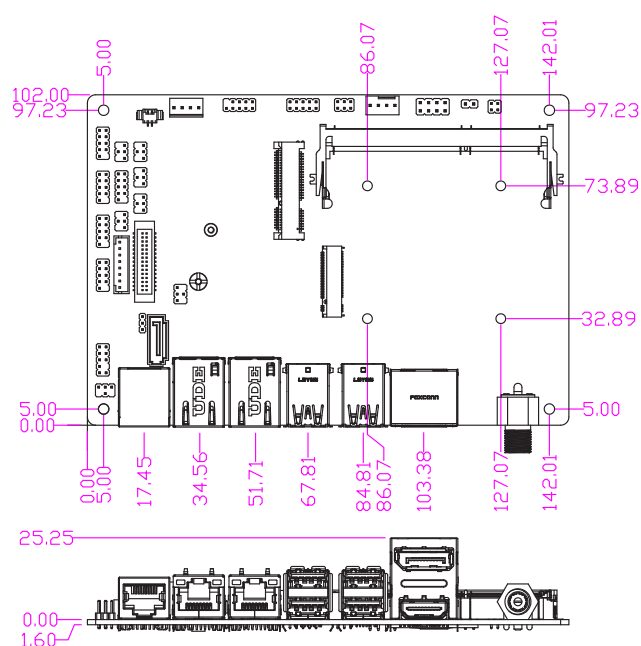
Features

- Intel® Braswell N3160 SoC Processor
- 1* DDR3L 1600MHz SODIMM up to 8GB
- 1* HDMI, 1* DisplayPort, 1* LVDS (co-lay with eDP) for Triple Independent Displays
- 2* Realtek RTL8119I GbE
- Integrated Realtek ALC888S Audio CODEC with 6-CH
- 1* Serial ATAIII (6Gb/s)
- 1* External RS232 (RJ45 Type), 5* Internal COM RS232 (COM2 support RS232/422/485)
- 4* USB3.0, 2* USB2.0
- 1* half size Mini-PCIe, 1* M.2 M-key (2242, SATA interface)
- 9~36V Lockable DC-in Jack

Photo



Mechanical Dimension (mm)



Specification

Processor/Chipset	Intel Braswell N3160 SoC Processor	Rear I/O Port	1* DP, 1* HDMI, 2* RJ45, 4* USB 3.0, 1* COM (RJ45 type), 1* DC-in
Memory	1* DDR3L 1600MHz SO-DIMM up to 8GB		
Ethernet	2* Realtek RTL8119I GbE		
Graphic	1* HDMI1.4b up to 3840x2160@30Hz 1* DP1.1a up to 3840x2160@30Hz 1* 24-bits Dual CH LVDS up to 1920x1200@60Hz	Internal I/O Port	1* LVDS, 2* USB 2.0, 1* GPIO, 4* RS232, 1* RS232/422/485, 1* Audio header
Storage	1* SATAIII (6Gb/s) 1* M.2 M-key 2242 (SATA interface)	WDT	0~255 Sec./Min. programmable
Expansion Slot	1* Mini PCIe (half size)	Power	9-36V DC IN
		Temperature	Operating: 0~60°C with 0.7 m/s air flow Storage: -20~85°C
		Dimension	148 * 102mm (5.83" * 4.01")

*The Specification may be changed without further notice.
www.jetwayipc.com

JNF532-2930



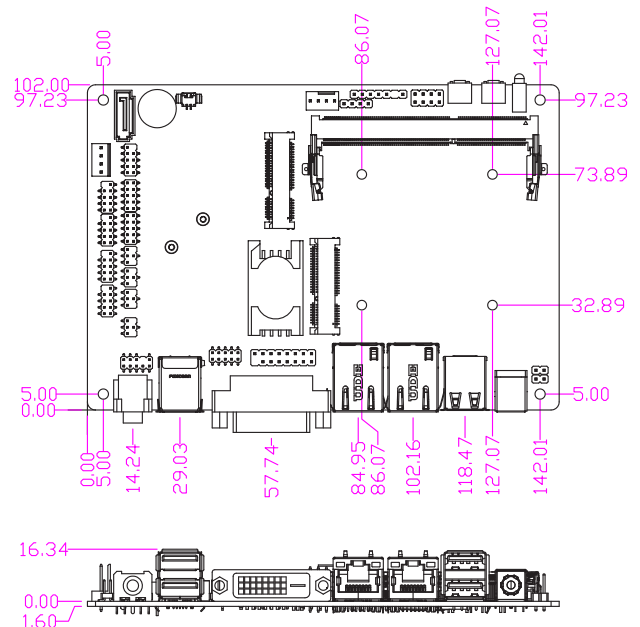
Features

- Intel® Bay Trail N2930 SoC Processor
- Support 1* DDR3L 1333MHz Dual CH up to 8GB
- Support 1* Serial ATAII (3Gb/s) Device
- Integrated Realtek ALC888S HD Audio CODEC with 2-CH
- 1* SIM card holder
- Support DVI-D Output
- Supports 2* Realtek RTL8111H GbE
- Support CPU Smart FAN
- Support Watch Dog Timer 0~255 sec
- +9~24V DC-in PWR jack
- Dimension: 148 * 102mm
- 3.5" SBC Form Factor

Photo



Mechanical Dimension (mm)



Specification

Processor/Chipset	Intel Bay Trail N2930 SoC Processor	Rear I/O Port	1* DVI-D, 2* RJ45, 1* USB3.0, 3* USB2.0, Line-out, 1* DC-in
Memory	1* DDR3L 1333MHz SO-DIMM up to 8GB		
Ethernet	2* Realtek RTL8111H GbE		
Graphic	1* DVI-D up to 1920x1200@60Hz 1* VGA up to 1920x1080@60Hz	Internal I/O Port	4* USB2.0, 1* VGA, 1* RS232, 3* RS232/422/485, 1* GPIO, 1* Audio header, 1* PS/2
Storage	1* SATAII (3Gb/s) 1* mSATA (full size, shared)	WDT	0~255 Sec./Min. programmable
Expansion Slot	2* Mini PCIe (1* full size, 1* half size) 1* SIM card slot	Power	9~24V DC IN
		Temperature	Operating: 0~60°C with 0.7 m/s air flow Storage: -20~85°C
		Dimension	148 * 102mm (5.83" * 4.01")

*The Specification may be changed without further notice.
www.jetwayipc.com

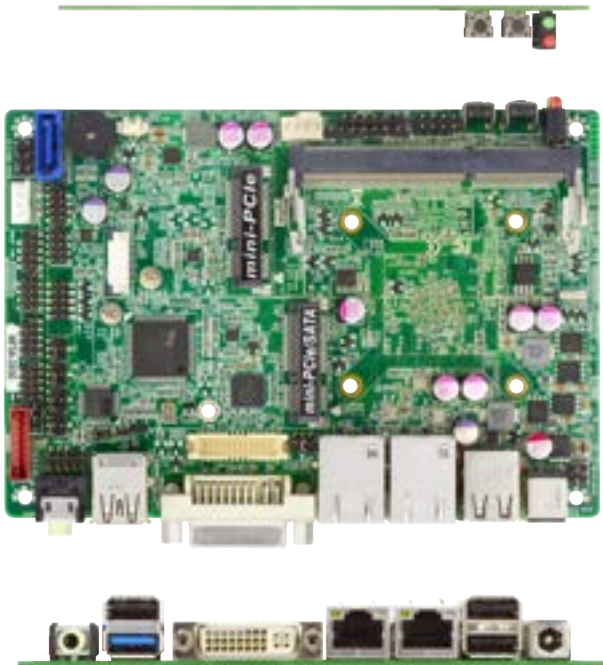
JNF3A-2930

intel FC CE RoHS
COMPLIANT

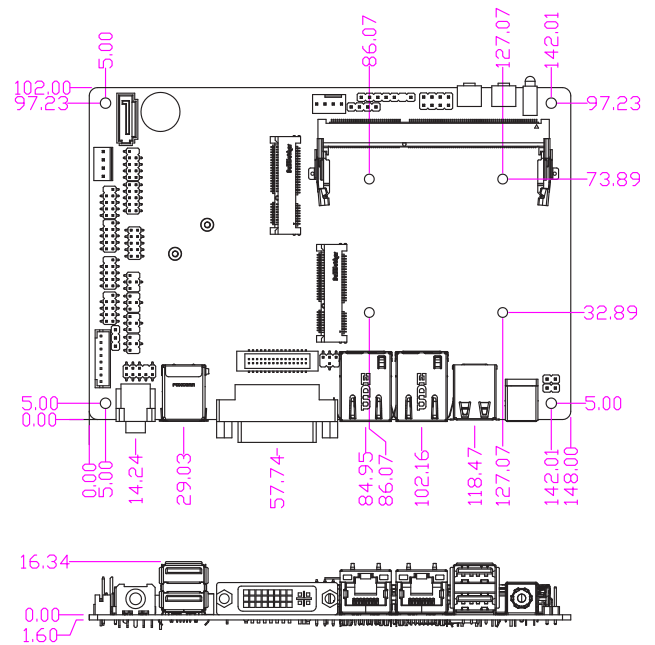
Features

- Intel® Bay Trail N2930 SoC Processor
- Support 1* DDR3L 1333MHz up to 8GB
- Support 1* SATAII (3Gb/s)
- Integrated Realtek ALC888S HD Audio CODEC with 2-CH
- 1* 24-bits Dual Channel LVDS
- Support DVI-I output
- Support 2* Realtek RTL8111H GbE
- Support CPU Smart FAN
- Support Watch Dog Timer 0~255 sec
- 9V~24V DC-in PWR jack
- 3.5" SBC Form Factor

Photo



Mechanical Dimension (mm)



Specification

Processor/Chipset	Intel Bay Trail N2930 SoC Processor	Rear I/O Port	1* DVI-I, 2* RJ45, 1* USB3.0, 3* USB2.0, Line-out, 1* DC-in jack
Memory	1* DDR3L 1333MHz SO-DIMM up to 8GB		
Ethernet	2* Realtek RTL8111H GbE	Internal I/O Port	4* USB2.0, 1*LVDS, 1* RS232, 3* RS232/422/485, 1* GPIO, 1* Audio header, 1* PS/2
Graphic	1* DVI-I up to 1920x1200@60Hz 1* 24-bits Dual CH LVDS up to 1920x1200@60Hz		
Storage	1* SATAII (3Gb/s) 1* mSATA (full size, shared)	WDT	0~255 Sec./Min. programmable
Expansion Slot	2* Mini PCIe (1* full size, 1* half size)	Power	9~24V DC IN
		Temperature	Operating: 0~60°C with 0.7 m/s air flow Storage: -20~85°C
		Dimension	148 * 102mm (5.83" * 4.01")

*The Specification may be changed without further notice.
www.jetwayipc.com

MU10 Series



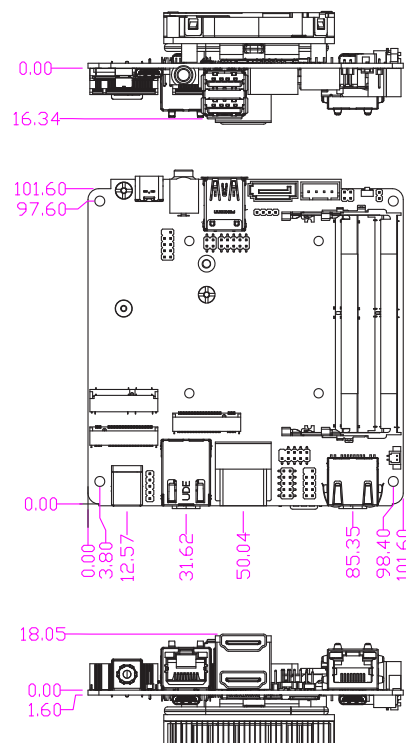
Features

- Intel® Tiger Lake-UP3 SoC Processor (TDP 15W)
- 2* DDR4 3200MHz SO-DIMM up to 64GB
- 1* Intel i219-LM 1.0GbE, 1* Intel i225V 2.5GbE
- 2* HDMI, 2* DP1.4 (from USB3.2 (Gen.2) Type-C)
- 1* RS232, 2* USB3.2 (Gen.2) Type-A, 1* USB3.2 (Gen.2) Type-C supports USB only, 2* USB3.2 (Gen. 2) Type-C support DP1.4 display
- 1* M.2 M-key 2242/2280 (PCIe4.0 x4/SATAIII interface) support NVMe, 1* SATAIII
- 1* M.2 E-key 2230 (USB2.0/PCIe x1 interface) support CNVi
- 1* M.2 B-key 3042/3052 (USB3.1/USB2.0/PCIe 4.0x1 interface)

Photo



Mechanical Dimension (mm)



Specification

Processor/Chipset	Intel Tiger Lake-U SoC Processor	Rear I/O Port	2* USB3.2 (Gen.2) Type-C support DP1.4 display output,
Memory	2* DDR4 3200MHz SO-DIMM up to 64GB		2* HDMI, 2* RJ45, 1* SIM card slot, 12-24V DC-in jack
Ethernet	1* Intel i219-LM GbE	Front I/O Port	2* USB3.2 (Gen. 2) Type-A, 1* USB3.2 (Gen.2) Type-C
	1* Intel i225-V 2.5GbE		support USB only, 1* Audio jack (Line out/MIC combo)
Graphic	2* HDMI 2.0b up to 4096x2160@60Hz	Internal I/O Port	2* USB 2.0, 1* RS232, 1* SATAIII, 1* 8bit
	2* DP1.4 up to 4096x2304@60Hz from Type-C		GPIO, 1* SMBUS, 1* AT mode, TPM2.0
			(option)
Storage	1* SATAIII (6Gb/s)		
	1* M.2 M-key 2242/2280 (PCIe4.0 x4/SATAIII	WDT	0~255 Sec./Min. programmable
	interface) support NVMe	Power	12~24V DC IN
Expansion Slot	1* M.2 E-key 2230 (USB2.0/PCIe x1 interface)	Temperature	Operating: 0~60°C with 0.7 m/s air flow
	support CNVi		Storage: -20°C ~ 85°C
	1* M.2 B-key 3042/3052 (USB3.1/USB2.0/PCIe x1		
	interface)	Dimension	101 * 101mm (3.98" * 3.98")

*The Specification may be changed without further notice.
www.jetwayipc.com

JNU95V-10210



Features

- Intel® 10th Gen Comet lake i5-10210U
1.60GHz/QC Core™ MCP Processor
- 2* DDR4 2666MHz up to 64GB
- 1* Intel® I219LM GbE, 1* Intel® I225-V
2.5GbE
- 1* SATAIII, 1* M.2 (M key), 1* M.2 (E key)

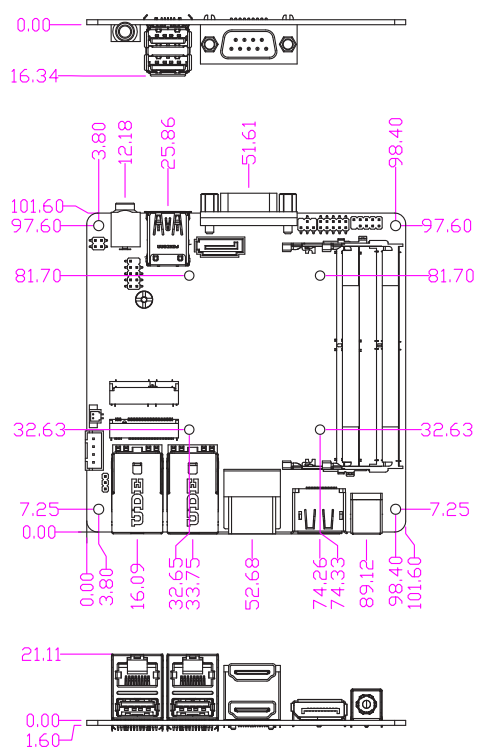
Support CNVi

- 2* HDMI, 1* DP
- 1* RS232/422/485, 4* USB3.2, 2* USB2.0
- 12V DC-in PWR
- NUC Form Factor

Photo



Mechanical Dimension (mm)



Specification

Processor/Chipset	Intel Core I5-10210U SoC Processor	Rear I/O Port	2* HDMI, 1* DP, 2* RJ45, 2* USB3.2 (Gen2), 12V DC-in jack
Memory	2* DDR4 2666MHz SO-DIMM up to 64GB	Front I/O Port	1* Audio jack (Line out/MIC combo), 1* RS232/422/485, 2* USB3.2 (Gen2)
Ethernet	1* Intel® I219LM GbE 1* Intel® I225V 2.5GbE	Internal I/O Port	2* USB2.0, 1* SATAIII, 1* 8bit GPIO, 1* AT mode
Graphic	1* HDMI1.4 up to 4096x2304@30Hz 1* HDMI2.0 up to 4096x2304@60Hz 1* DP up to 4096x2304@60Hz	WDT	0~255 Sec./Min. programmable
Storage	1* SATAIII (6Gb/s) 1* M.2 M-key 2242 (SATAIII interface)	Power	12V DC IN
Expansion Slot	1* M.2 E-key 2230 (USB2.0/PCIex1 interface) support CNVi	Temperature	Operating: 0~60°C with 0.7 m/s air flow Storage: -20°C ~ 85°C
	Dimension		101 * 101mm (3.98" * 3.98")

*The Specification may be changed without further notice.
www.jetwayipc.com

MU03-00 Series



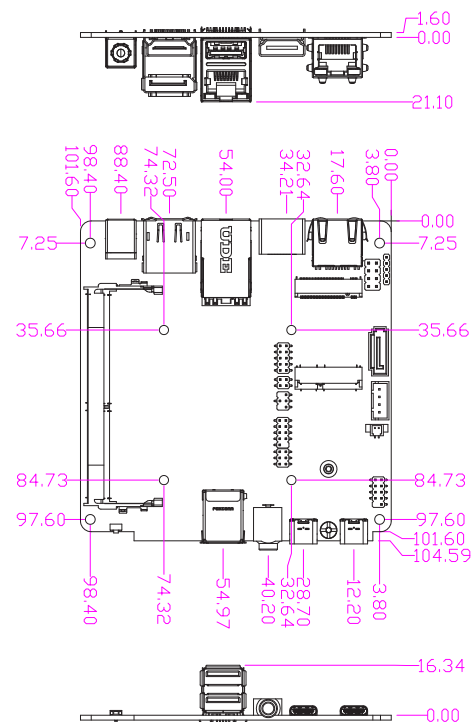
Features

- Intel® Elkhart Lake SoC Processor
- 1* DDR4 3200MHz SO-DIMM up to 32GB
- 2* HDMI, 1* DP
- 2* Intel i225V 2.5GbE
- 1* COM, 2* USB3.1 (Gen.2), 3* USB2.0, 2* USB Type-C
- 1* M.2 (M-key, 2260/2280), 1* M.2 (E-key, 2230), 1* SATAIII (6Gb/s)
- Onboard 32GB eMMC option (MU03-03/ MU03-07)
- 12V DC-in PWR

Photo



Mechanical Dimension (mm)



Specification

Processor/Chipset	Intel Elkhart Lake J6412 SoC Processor	Rear I/O Port	1* USB3.1 (Gen.2), 2* HDMI, 1* DP, 2* RJ45, 12V DC-in
Memory	1* DDR4 3200MHz SO-DIMM up to 32GB	Front I/O Port	1* USB3.1 (Gen.2), 1* USB2.0, 2* USB Type-C, 1* Line-out/MIC combo, 1* Panel Power Switch
Ethernet	2* Intel i225V 2.5GbE	Internal I/O Port	2* USB2.0, 1* SATAIII, 1* RS232/422/485, 1* 32GB eMMC option (MU03-03/MU03-07), 1* GPIO, 1* SMBUS, 1* AT mode
Graphic	2* HDMI 2.0b up to 4096×2160@60Hz 1* DP1.4 up to 4096×2160@60Hz	WDT	0~255 Sec./Min. programmable
Storage	1* SATAIII (6Gb/s), 1* M.2 M-key 2260/2280 (PCIe Gen.3 x2/SATA interface) support NVME 32GB eMMC (MU03-03/MU03-07)	Power	12V DC IN
Expansion Slot	1* M.2 E-key 2230 (PCIe Gen.3 x1/USB2.0 interface)	Temperature	Operating: 0~60°C with 0.7 m/s air flow Storage: -20~85°C
		Dimension	101 * 101mm (3.98" * 3.98")

*The Specification may be changed without further notice.
www.jetwayipc.com

MU11-50



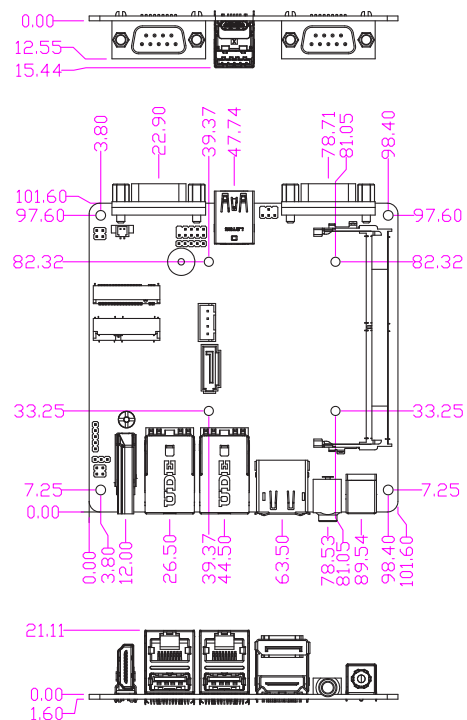
Features

- Intel® Gemini Lake-R SoC Processor
- 1* DDR4 2400MHz SO-DIMM up to 8GB
- 2* HDMI, 1* DP
- 2* COM, 3* USB3.1 (Gen.1), 2* USB2.0, 1*USB Type-C
- 1* M.2 (M-key, 2242), 1* M.2 (E-key, 2230), 1* SATAIII (6Gb/s)
- Onboard 32GB eMMC option (MU11-53 / MU11-57)
- 12V DC-in PWR

Photo



Mechanical Dimension (mm)



Specification

Processor/Chipset	Intel Gemini Lake-R J4125 SoC Processor	Rear I/O Port	2* USB3.1 (Gen.1), 2* HDMI, 1* DP, 2* RJ45, 12V DC-in
Memory	1* DDR4 2400MHz SO-DIMM up to 8GB	Front I/O Port	1* USB3.1 (Gen.1), 1* USB Type-C, 1* RS232, 1* RS232/RS422/RS485
Ethernet	2* Realtek RTL8119I GbE	Internal I/O Port	2* USB2.0, 1* SATAIII, 1* 32GB eMMC option (MU11-53/ MU11-57), 1* SMBUS, 1* AT mode
Graphic	2* HDMI 2.0 up to 4096×2160@60Hz 1* DP up to 4096×2160@60Hz	Storage	1* SATAIII (6Gb/s) 1* M.2 M-key 2242 (SATA interface) 32GB eMMC (MU11-53/ MU11-57)
Expansion Slot	1* M.2 E-key 2230 (PCIe/USB2.0 interface) support CNVi	WDT	0~255 Sec./Min. programmable
		Power	12V DC IN
		Temperature	Operating: 0~60°C with 0.7 m/s air flow Storage: -20~85°C
		Dimension	101 * 101mm (3.98" * 3.98")

*The Specification may be changed without further notice.
www.jetwayipc.com

MU02-03 Series

Features

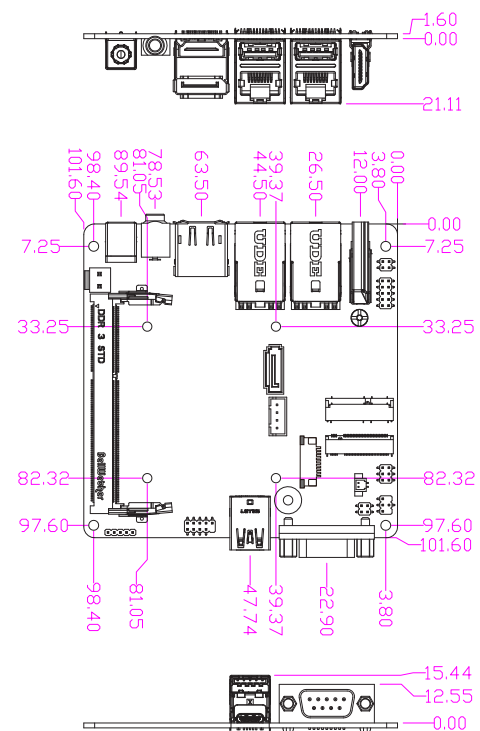


- Intel® Apollo Lake J3455 SoC Processor
- 1* DDR3L 1866MHz SODIMM up to 8GB
- 2* Realtek RTL8125BS 2.5GbE
- 32GB eMMC onboard (default)
- Support Intel AES NI and TPM2.0 to secure customers' data
- 1* EXT USB Type-C, 3* EXT USB3.0, 1* Line-out/MIC combo, 2* HDMI, 1* DP
- 1* M.2 M-key 2242, 1* M.2 E-key 2230 slot
- 12V DC-in PWR

Photo



Mechanical Dimension (mm)



Specification

Processor/Chipset	Intel Apollo Lake J3455 SoC Processor	Rear I/O Port	2* USB 3.0, 2* HDM, 1* DP, 2* RJ45, Line-out/MIC Combo, 12V DC-in
Memory	1* DDR3L 1600/1866MHz SO-DIMM up to 8GB	Front I/O Port	1 * USB Type-C, 1* USB 3.0, 1 * RS232/422/485
Ethernet	2* Realtek RTL8125BS 2.5GbE	Internal I/O Port	2* USB2.0, 1* SATAIII, 1* 8bit GPIO, 1* SMBUS, 1* TPM2.0 onboard (MU02-07 only)
Graphic	2* HDMI1.4b up to 3840x2160@30Hz 1* DP up to 4096x2160@60Hz		
Storage	1* SATAIII (6Gb/s) 1* M.2 M-key 2242 (SATAIII interface) 32GB onboard eMMC	WDT	0~255 Sec./Min. programmable
Expansion Slot	1* M.2 E-key 2230 (PCIe x1/USB2.0 interface)	Power	12V DC IN
		Temperature	Operating: 0°C ~ 60°C Storage: -20°C ~ 85°C
		Dimension	101 * 101mm (3.98" * 3.98")

*The Specification may be changed without further notice.
www.jetwayipc.com

JNU691 Series



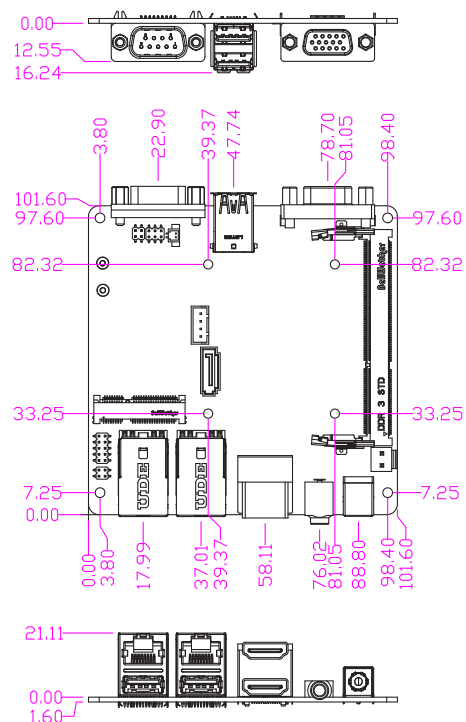
Features

- Intel® Apollo Lake SoC Processor
- 1* 204-pin DDR3L 1866MHz SODIMM up to 8GB
- 2* 10/100/1000 Base-TX Ethernet Ports
- Support Intel AES NI and TPM2.0 to secure customers' data
- 4* USB3.0, 1* Line-Out/MIC combo, 2* HDMI, 1* VGA
- 1* full size mSATA, 1* half size Mini PCIe Slot, 1* SIM card holder
- 12V DC-in PWR

Photo



Mechanical Dimension (mm)



Specification

Processor/Chipset	Intel Apollo Lake J3455 (default) SoC Processor	Rear I/O Port	2* HDMI, 2* USB3.0, 2* RJ45, 1* Line-out/MIC combo, 12V DC-in jack
Memory	1* DDR3L 1600/1866MHz SO-DIMM up to 8GB	Front I/O Port	1* VGA, 2* USB3.0, 1* RS232/RS422/RS485, 2* USB2.0, 1* SATAIII, 1* 8bit GPIO,
Ethernet	2* Realtek RTL8111H GbE	Internal I/O Port	1* SMBUS, 1* AT mode, 1* TPM2.0
Graphic	2* HDMI1.4b up to 3840x2160@30Hz 1* VGA up to 1920x1080@60Hz		
Storage	1* SATAIII (6Gb/s) 1* mSATA (full size shared with Mini-PCIe)	WDT	0~255 Sec./Min. programmable
		Power	12V DC IN
Expansion Slot	2* Mini PCIe (1* full size shared with mSATA, 1* half size) 1* SIM card slot	Temperature	Operating: 0~60°C with 0.7 m/s air flow Storage: -20~85°C
		Dimension	101 * 101mm (3.98" * 3.98")

*The Specification may be changed without further notice.
www.jetwayipc.com

JNU591R-3160



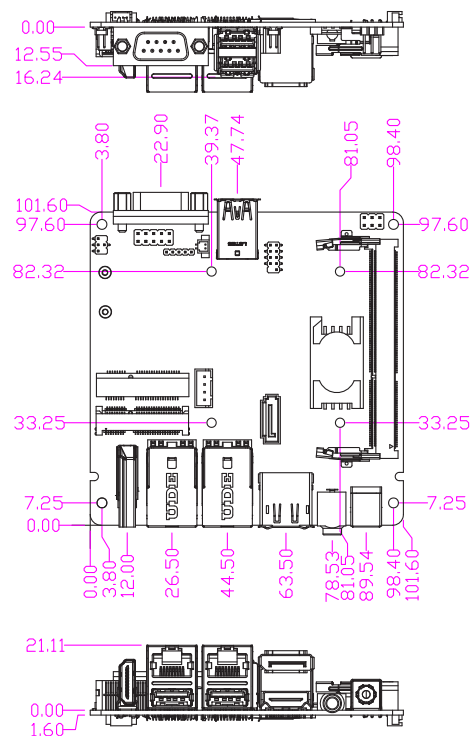
Features

- Intel® Braswell N3160 SoC Processor
- 1* DDR3L SO-DIMM up to 8GB
- 2* HDMI 1.4b, 1* DP 1.2, support Triple Independent Displays
- 2* Realtek RTL8119I GbE
- Integrated Realtek ALC888S Audio CODEC with 4-CH
- 1* Serial ATAIII (6Gb/s)
- 4* USB3.0, 2* USB2.0
- 1* External RS232/422/485
- 1* full size mPCIe (shared with mSATA), 1* half size
- 1* SIM Card slot

Photo



Mechanical Dimension (mm)



Specification

Processor/Chipset	Intel Braswell N3160 SoC Processor	Rear I/O Port	2* HDMI, 1* DP, 2* RJ45, 2* USB3.0,
Memory	1* DDR3L 1600MHz SO-DIMM up to 8GB		1* Line-out/MIC combo, 12V DC-in jack
Ethernet	2* Realtek RTL8119I GbE	Front I/O Port	2* USB3.0, 1* RS232/422/485
Graphic	2* HDMI1.4b up to 3840x2160@30Hz	Internal I/O Port	2* USB2.0, 1* SATAIII, 1* SIM card slot,
	1* DP1.1a up to 3840x2160@30Hz		1* 8bit GPIO, 1* Audio header, 1* SMBUS,
			1* AT mode
Storage	1* SATAIII (6Gb/s)	WDT	0~255 Sec./Min. programmable
	1* mSATA (Shared with full size Mini PCIe)	Power	12V DC IN
Expansion Slot	2* Mini PCIe (1* full size, 1* half size)	Temperature	Operating: 0~60°C with 0.7 m/s air flow
			Storage: -20~85°C
		Dimension	101 * 101mm (3.98" * 3.98")

*The Specification may be changed without further notice.
www.jetwayipc.com

JNU93-2930



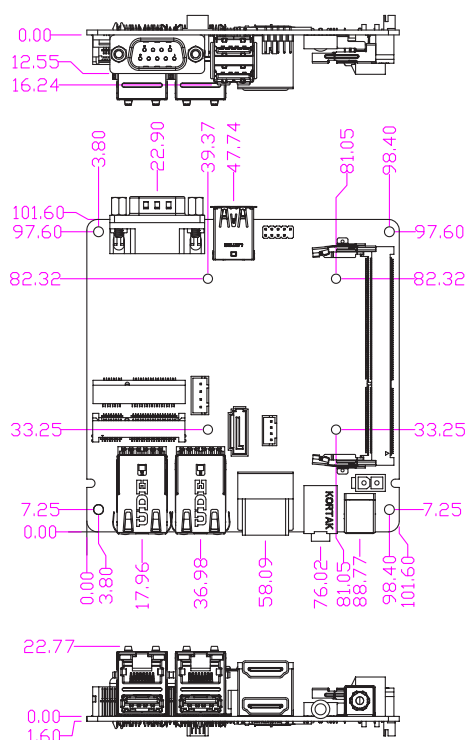
Features

- Support Intel Quad Core N2930 SoC Processor
- 1* DDR3L 1333MHz SO-DIMM up to 8GB
- 2* HDMI, 1* mSATA and 1* half-size Mini PCIe, 1* USB3.0, 4* USB2.0, 1* COM
- NUC Form Factor
- 9~24V DC-in PWR

Photo



Mechanical Dimension (mm)



Specification

Processor/Chipset	Intel Bay Trail N2930 SoC Processor	Rear I/O Port	3* USB 2.0, 1* USB3.0, 2* RJ45, 2* HDMI, 1* Line-out, 1* DC-in, 1* RS232/422/485
Memory	1* DDR3L 1333MHz SO-DIMM up to 8GB		
Ethernet	2* Intel i211AT GbE 1* Intel i219V GbE	Internal I/O Port	2* USB2.0, 1* SATAII, 1* Audio header (support 3W Amplifier)
Graphic	1* VGA up to 1920×1200@60Hz		
Storage	1* SATAII (6Gb/s) 1* mSATA (full size)	WDT	0~255 Sec./Min. programmable
Expansion Slot	1* Mini PCIe (half size)	Power	9~24V DC IN
		Temperature	Operating: 0~60°C with 0.7 m/s air flow Storage: -20~85°C
		Dimension	101 * 101mm (3.98" * 3.98")

*The Specification may be changed without further notice.
www.jetwayipc.com

JNLBT-IE1900

intel FC CE RoHS
COMPLIANT

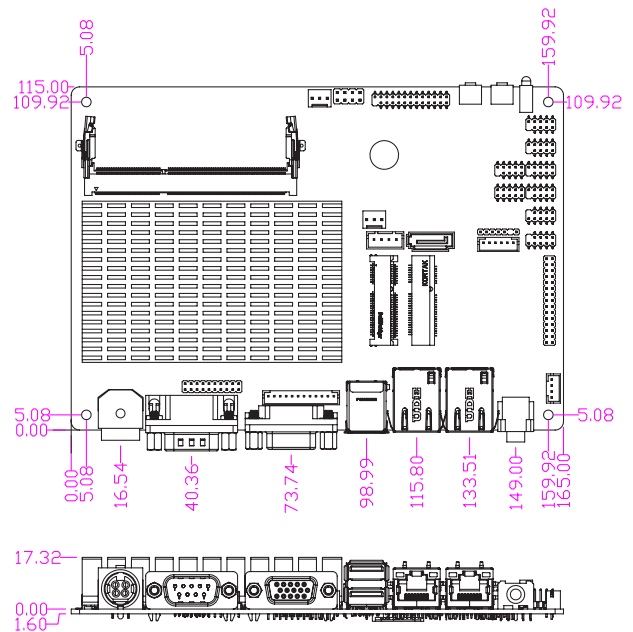
Features

- Support Intel® Quad Core J1900 processor
- 1* DDR3L 1333MHz SO-DIMM up to 8GB
- Supports VGA/HDMI1.4a/LVDS
- Support SIM Card slot
- Supports 1* USB3.0, 5* USB2.0, 6* COM
- EPIC Form Factor
- 9~24V DC-in PWR

Photo



Mechanical Dimension (mm)



Specification

Processor/Chipset	Intel Bay Trail J1900 SoC Processor	Rear I/O Port	1* VGA, 2* RJ45, 1* USB3.0, 1* USB2.0,
Memory	1* DDR3L 1333MHz SO-DIMM up to 8GB		1* COM, Line-out, 1* DC-in
Ethernet	2* Intel i211AT GbE		
Graphic	1* HDMI1.4a up to 1920x1200@60Hz	Internal I/O Port	1* HDMI, 1* VGA, 1* LVDS,
	1* VGA up to 1920x1080@60Hz		4* USB2.0, 1* parallel, 5* COM (COM2/3:
	1* 24-bits Dual CH LVDS up to 1920x1200@60Hz		RS232/422/485), 1* GPIO, 1* SIM card
Storage	1* SATAII (6Gb/s)		holder
	1* mSATA	WDT	0~255 Sec./Min. programmable
Expansion Slot	1* Mini PCIe (half size)	Power	9~24V DC IN
		Temperature	Operating: 0~60°C with 0.7 m/s air flow
			Storage: -20~85°C
		Dimension	165 * 115mm (6.49" * 4.53")

*The Specification may be changed without further notice.
www.jetwayipc.com

JNLBT-IE2930-4G

intel FC CE RoHS
COMPLIANT

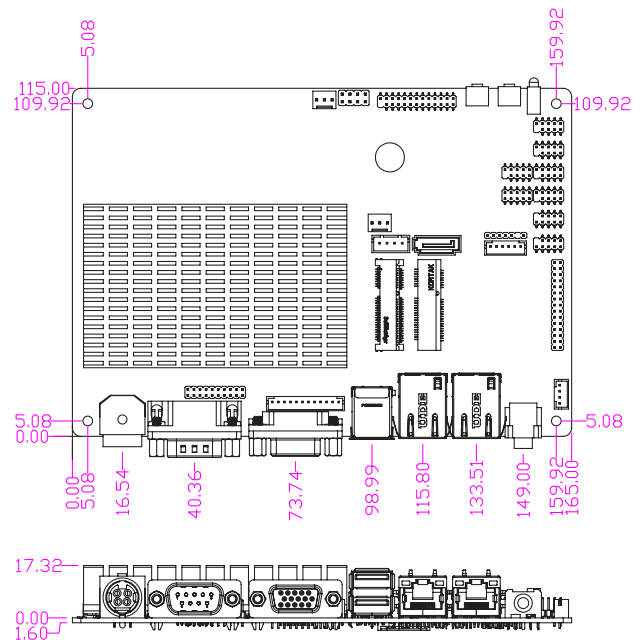
Features

- Support Intel® Quad Core N2930 processor
- On-board 4GB DDR3L 1333MHz DRAM
- Supports VGA/HDMI1.4a/LVDS
- Supports 1* half-size Mini PCIe
- Supports 1* USB3.0, 5* USB2.0, 6* COM
- EPIC Form Factor
- 9~24V DC-in PWR

Photo



Mechanical Dimension (mm)



Specification

Processor/Chipset	Intel Bay Trail N2930 SoC Processor	Rear I/O Port	1* VGA, 2* RJ45, 1* USB3.0, 1* USB2.0,
Memory	On-board 4GB DDR3L 1333MHz DRAM		1* COM, Line-out, 1* DC-in
Ethernet	2* Intel i211AT GbE		
Graphic	1* HDMI1.4a up to 1920x1200@60Hz	Internal I/O Port	1* HDMI, 1* VGA, 1* LVDS,
	1* VGA up to 1920x1080@60Hz		4* USB2.0, 1* parallel, 5* COM (COM2/3:
	1* 24-bits Dual CH LVDS up to 1920x1200@60Hz		RS232/422/485), 1* GPIO, 1* SIM card
Storage	1* SATAII (6Gb/s)		holder
	1* mSATA	WDT	0~255 Sec./Min. programmable
Expansion Slot	1* Mini PCIe (half size)	Power	9~24V DC IN
		Temperature	Operating: 0~60°C with 0.7 m/s air flow
			Storage: -20~85°C
		Dimension	165 * 115mm (6.49" * 4.53")

*The Specification may be changed without further notice.
www.jetwayipc.com

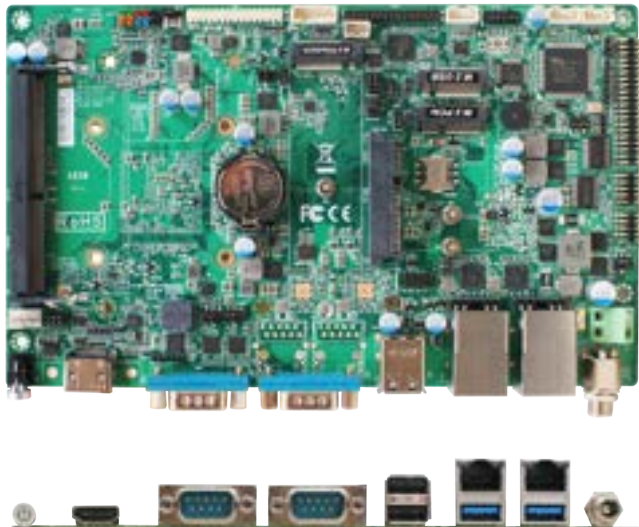
JLE1K Series

intel FC CE RoHS
COMPLIANT

Features

- Intel Elkhart Lake SoC Processor
- 1* DDR4 3200MHz SO-DIMM up to 32GB
- 2* Intel i225V 2.5GbE
- 1* VGA (Co-lay HDMI), 1* LVDS, 1* eDP (Co-lay HDMI)
- 1* SATAIII, 1* M-Key 2242/2280, 1* E-Key
- 2230, 1* B-Key 3042/3052
- 2* USB3.2 (Gen.1), 8* USB2.0, 1* RS232, 2* RS232/422/485
- 1* TPM2.0 (option)
- 12~28V DC-in

Photo



Mechanical Dimension (mm)

Coming Soon

Specification

Processor/Chipset	Intel Elkhart Lake SoC Processor	Rear I/O Port	1* VGA (or HDMI), 2* USB3.2 (Gen.1),
Memory	1* DDR4 3200MHz SO-DIMM up to 32GB		2* USB2.0, 2* RJ45, 2* RS232/422/485
Ethernet	2* Intel i225V 2.5GbE		
Graphic	1* VGA up to 1920×1080@60Hz (Co-lay HDMI)	Internal I/O Port	6* USB2.0, 1* RS232, 1* SATAIII, 1* Audio
	1* 24-bits Dual CH LVDS up to 1920×1200@60Hz		header (support 3W Amplifier), 1* TPM2.0
	1* eDP up to 4096×2304@60Hz (Co-lay HDMI)		(option)
Storage	1* SATAIII (6Gb/s)	WDT	0~255 Sec./Min. programmable
	1* M-Key 2242/2280 (SATA/PCIe Gen.3 x2 interface)	Power	12~28V DC IN
	support NVME	Temperature	Operating: 0~60°C with 0.7 m/s air flow
Expansion Slot	1* E-Key 2230 (PCIe x1/USB2.0 interface)		Storage: -20~85°C
	1* B-Key 3042/3052 (PCIe x1/USB3.2 interface) w/		
	SIM card slot	Dimension	200 * 120mm

*The Specification may be changed without further notice.
www.jetwayipc.com

MP01 Series



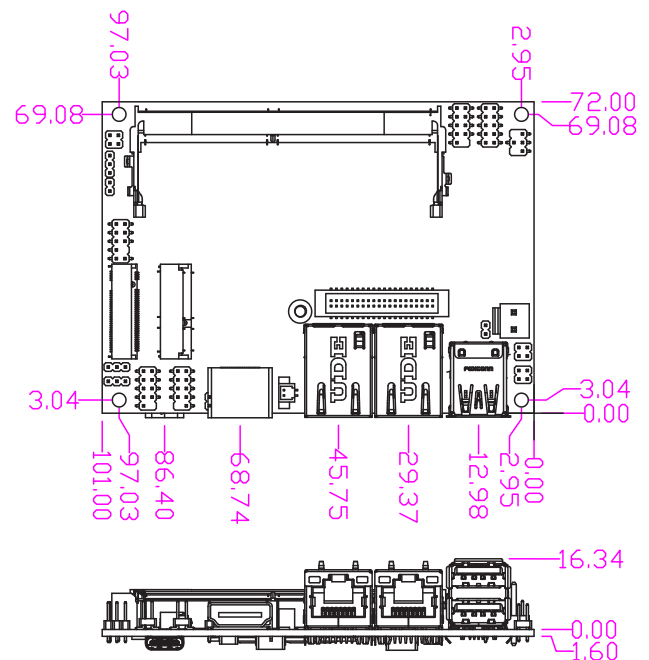
Features

- Intel® Elkhart Lake SoC Processor
- 1* DDR4 3200MHz SO-DIMM up to 32GB
- 1* HDMI, 1* eDP
- 1* COM, 2* USB3.1 (Gen.2) Type-A, 2* USB2.0, 1* USB3.1 (Gen.2) Type-C
- 1* M.2 M-key 2242 (SATA/PCIe Gen.3 x2 interface) support NVME, 1* M.2 E-key 2230 (USB2.0/PCIe Gen.3 x1 interface)
- Onboard 32GB eMMC option (MP01-62103)
- 12V DC-in

Photo



Mechanical Dimension (mm)



Specification

Processor/Chipset	Intel Elkhart Lake N6210 SoC Processor	Rear I/O Port	2* USB3.1 (Gen.2), 1* USB3.1 (Gen.2) Type-C, 1* HDMI, 2* RJ45
Memory	1* DDR4 3200MHz SO-DIMM up to 32GB		
Ethernet	2* Realtek RTL8119I GbE		
Graphic	1* HDMI 2.0b up to 4096×2160@60Hz 1* eDP 1.3b up to 4096×2160@60Hz	Internal I/O Port	2* USB2.0, 1* RS232/422/485), 1* 32GB eMMC option (MP01-62103), 1* 8bit GPIO, 1* Audio Header, 1* SMBUS, 1* AT mode, 12V DC-in header
Storage	1* M.2 M-key 2242 (SATA/PCIe Gen.3 x2 interface) support NVME 32GB eMMC (MP01-62103)	WDT	0~255 Sec./Min. programmable
Expansion Slot	1* M.2 E-key 2230 (USB2.0/PCIe Gen.3 x1 interface)	Power	12V DC IN
		Temperature	Operating: 0~50°C with 0.7 m/s air flow Storage: -20~60°C
		Dimension	100 * 72mm (3.94" * 2.83")

*The Specification may be changed without further notice.
www.jetwayipc.com

MP21 Series

Features

- Intel® Elkhart Lake SoC Processor
- 4GB LPDDR4 onboard
- 1* HDMI, 1* eDP
- 1* COM, 2* USB3.1 (Gen.2) Type-A, 2* USB2.0, 1* USB3.1 (Gen.2) Type-C
- 1* M.2 B/M-key 2242/3042/3052 (SATA/PCIe Gen.3 x2) support NVME, 1* M.2 E-key 2230 (USB2.0/PCIe Gen.3 x1 interface), 1* Nano SIM card slot
- Onboard 32GB eMMC option (MP21-62103)
- 12V DC-in PWR

intel FC CE RoHS COMPLIANT

Photo

Mechanical Dimension (mm)

Coming Soon

Specification

Processor/Chipset	Intel Elkhart Lake N6210 SoC Processor	Rear I/O Port	2* USB3.1 (Gen.2), 1* USB3.1 (Gen.2) Type-C, 1* HDMI, 2* RJ45
Memory	Onboard 4GB LPDDR4 SDRAM		
Ethernet	2* Realtek RTL8119I GbE		
Graphic	1* HDMI 2.0b up to 4096×2160@60Hz 1* 24-bits Dual CH LVDS up to 1920x1200@60Hz or 1* eDP by 1 Lane (Default: LVDS)	Internal I/O Port	2* USB2.0, 1* RS232/422/485), 1 * 32GB eMMC option (MP21-62103), 1* Nano SIM card slot, 1* 8bit GPIO, 1* Audio Header, 1* SMBUS, 1* AT mode, 12V DC-in header
Storage	1* M.2 B/M-key 2242/3042/3052 (SATA/PCIe Gen.3 x2) support NVME 32GB eMMC (MP21-62103)	WDT	0~255 Sec./Min. programmable
Expansion Slot	1* M.2 E-key 2230 (USB2.0/PCIe Gen.3 x1 interface) 1* Nano SIM card slot	Power	12V DC IN
		Temperature	Operating: 0~50°C with 0.7 m/s air flow Storage: -20~60°C
		Dimension	100 * 72mm (3.94" * 2.83")

*The Specification may be changed without further notice.
www.jetwayipc.com

JNP891P-4125 Series

intel FC CE RoHS
COMPLIANT

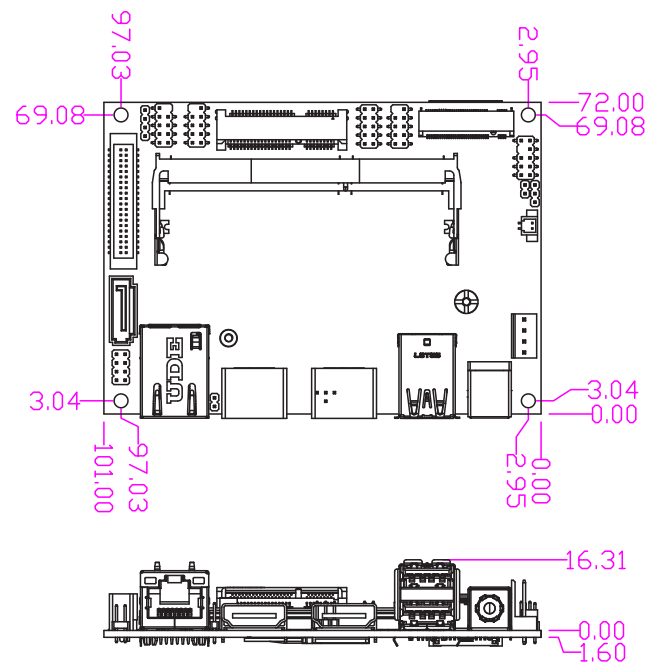
Features

- Intel® Gemini Lake-R J4125 SoC Processor
- 1* DDR4 2400MHz SO-DIMM up to 8GB
- Support 2* HDMI + 1* eDP
- 1* COM, 2* USB3.0, 2* USB2.0
- 1* Mini-PCIe ,1* M.2 M-key 2242
- Support 1* SATAIII (6Gb/s), onboard 32GB eMMC (JNP891P32-4125)
- 12V DC-in PWR

Photo



Mechanical Dimension (mm)



Specification

Processor/Chipset	Intel Gemini Lake-R J4125 SoC Processor	Rear I/O Port	2* USB3.0, 2* HDMI, 1* RJ45, 12V DC-in
Memory	1* DDR4 2400MHz SO-DIMM up to 8GB		
Ethernet	1* Realtek RTL8111H GbE		
Graphic	2* HDMI up to 4096x2160@60Hz 1* eDP up to 4096x2304@60Hz	Internal I/O Port	2* USB2.0, 1* RS232, 1* SATAIII, 1* SIM card slot, 1 * 32GB eMMC (JNP891P32-4125), 1* 8bit GPIO, 1* Audio header, 1* SMBUS, 1* AT mode
Storage	1* SATAIII (6Gb/s) 1* M.2 M-key 2242 (SATA interface) 32GB eMMC (JNP891P32-4125)	WDT	0~255 Sec./Min. programmable
Expansion Slot	1* Mini PCIe (full size)	Power	12V DC IN
		Temperature	Operating: 0~50°C with 0.7 m/s air flow Storage: -20~85°C
		Dimension	100 * 72mm (3.94" * 2.83")

*The Specification may be changed without further notice.
www.jetwayipc.com

JNP691N Series



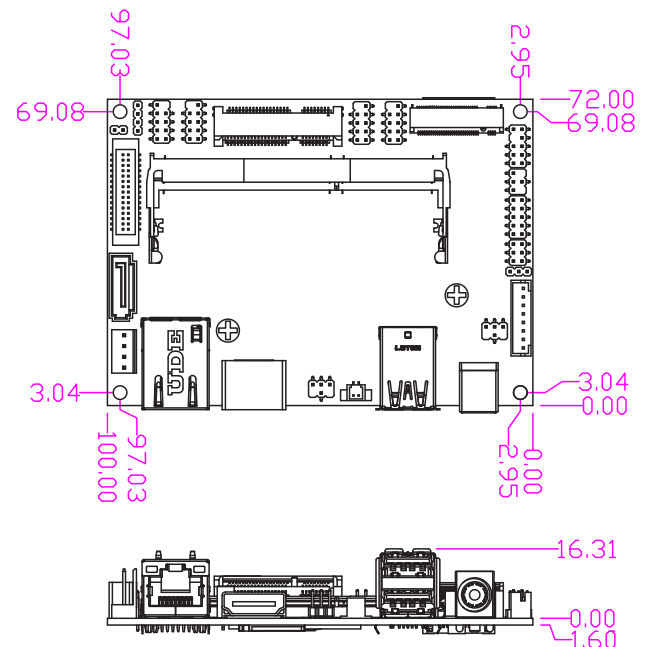
Features

- Intel® Apollo Lake SoC Processor (Default: N4200)
- Support 1 * DDR3L 1866MHz SO-DIMM up to 8GB
- 1* GbE, 2* Internal COM ports, 2* External USB3.0 & 2* Internal USB2.0
- Support HDMI and LVDS
- Support M.2 (M-key, SATA interface, 2242) storage
- 1 * full size Mini-PCIe slot
- 12V DC-in PWR

Photo



Mechanical Dimension (mm)



Specification

Processor/Chipset	Intel ApolloLake N4200/N3350 (default N4200) SoC Processor	Rear I/O Port	1* HDMI, 1* RJ45, 2* USB3.0, 1* SIM card slot, 1* DC-in
Memory	1* DDR3L 1600/1866MHz SO-DIMM up to 8GB		
Ethernet	1* Realtek RTL8111H GbE		
Graphic	1* HDMI1.4b up to 3840x2160@30Hz 1* 24-bits Dual CH LVDS up to 1920x1200@60Hz	Internal I/O Port	2* USB2.0, 1* 8bit GPIO, 1* RS232, 1* RS232/422/485, 1* Audio header
Storage	1* SATAIII (6Gb/s) 1* M.2 M-key 2242 (SATA interface)	WDT	0~255 Sec./Min. programmable
Expansion Slot	1* Mini PCIe (full size) 1* SIM card slot	Power	12V DC IN
		Temperature	Operating: 0~50°C with 0.7 m/s air flow Storage: -20~85°C
		Dimension	100 * 72mm (3.94" * 2.83")

*The Specification may be changed without further notice.
www.jetwayipc.com

JNP93 Series

intel FC CE RoHS
COMPLIANT

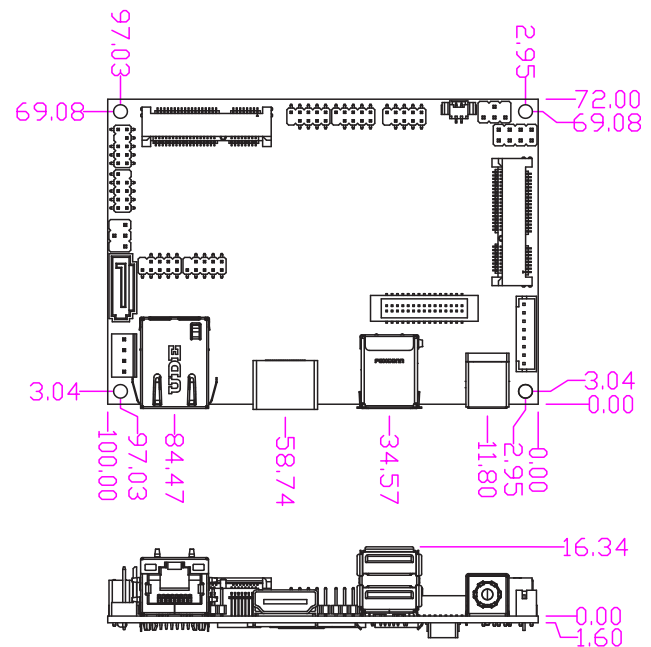
Features

- Intel® Bay Trail-M SoC Processor (Default: N2930)
- Onboard 2GB DDR3L 1333MHz Memory
- Support 1* SATAII (3Gb/s)
- Integrated Realtek ALC888S HD Audio
- CODEC with 4-CH
- 1* 24-bits Dual CH LVDS header
- Support 1* HDMI (option VGA) Output
- Supports 1* Realtek RTL8111H GbE
- 12V DC-in PWR

Photo



Mechanical Dimension (mm)



Specification

Processor/Chipset	Intel Bay Trail N2930/N2807 (default N2930) SoC Processor	Rear I/O Port	1* HDMI, 1* RJ45, 1* USB3.0, 1* USB2.0, 1* DC-in
Memory	Onboard 2GB DDR3L 1333MHz SDRAM		
Ethernet	1* Realtek RTL8111H GbE		
Graphic	1* HDMI1.4a up to 1920x1200@60Hz (option with VGA) 1* VGA up to 1920x1080@60Hz (option with HDMI) 1* 24-bits Dual CH LVDS up to 1920x1200@60Hz	Internal I/O Port	6* USB2.0, 1* RS232, 1* RS232/422/485, 1* Audio header
Storage	1* SATAII (3Gb/s) 1* mSATA(full size)	WDT	0~255 Sec./Min. programmable
Expansion Slot	1* Mini PCIe (half size)	Power	12V DC IN
		Temperature	Operating: 0~50°C with 0.7 m/s air flow Storage: -40~70°C
		Dimension	100 * 72mm (3.94" * 2.83")

*The Specification may be changed without further notice.
www.jetwayipc.com

LM26-H610



Features

- Intel® 12th/13th LGA1700 Socket Processor (Max.125W TDP)
- Intel® Alder Lake-S H610 Chip
- 2* DDR4 3200MHz Long DIMM up to 64GB
- 1* VGA, 1* HDMI, 1* DP
- 2* 2.5GbE, 1* GbE
- 10* COM, 3* USB3.2 (Gen.1), 7* USB2.0, 1* USB2.0 Type-A (Erect)
- 1* M.2 M-key, 2242/2280(PCI-Ex4), 1* M.2 M-key, 2242(SATA), 1* M.2 B-key, 3042/3052, 1* M.2 E-key, 2230, 4* SATAIII (6Gb/s)
- 1* PCI-Ex16(Gen.4), 1* PCI-Ex4 (Gen.3), 2* PCI
- Onboard TPM2.0(Optional)
- ATX Power

Photo



Mechanical Dimension (mm)

Coming Soon

Specification

Processor/Chipset	Intel LGA1700 Socket Processor with H610/H610E chipset	Rear I/O Port	3* USB3.2(Gen.1), 3* USB2.0, 1* VGA, 1* HDMI2.0, 1* DP1.4, 2* RS232/422/485, 3* RJ45, Line-in, Line-out, MIC
Memory	2* Long DIMM DDR4 3200MHz SDRAM up to 64GB	Internal I/O Port	4* USB2.0, 1* USB2.0 (Erect), 8* COM for LM26-H610(8*RS232), 4* COM for LM26-H610-6C(4*RS232), 1* 16bit GPIO, 4* SATAIII (SATA4 Co-lay M key-M2), 1* 24+8pin Power connector, 1* SIM Card slot, 1* Audio header, 1* PS/2, 1* SMBUS, 1*AT mode
Ethernet	2* Intel i225-V 2.5GbE 1* Intel i219-V GbE	WDT	0~255 Sec./Min. programmable
Graphic	1* HDMI2.0 up to 4096x2304@60Hz 1* DP1.4a up to 7680x3840@60Hz 1* VGA up to 1920x1080@60Hz	Power	24pin ATX + 8pin 12V
Storage	4* SATAIII (6Gb/s, SATA4 Co-lay M.2 M-key M2), 1* M.2 M-key 2242/2280 (PCIe Gen.3 x4 interface, Co-lay PCIe x4 slot), 1* M.2 M-key 2242 (SATA interface, Co-lay SATA4)	Temperature	Operating: 0~60°C with 0.7 m/s air flow Storage: -20°C ~ 70°C
Expansion Slot	1*PCIe x16 (Gen.4), 1*PCIe x4 (Gen.3), 2*PCI 1* M.2 B-key 3042/3052 (USB3.0/USB2.0 interface) w/SIM card slot, 1* M.2 E-key 2230 (PCIe x1/USB2.0 interface) Support CNVi	Dimension	244 * 244mm (10" * 10")

*The Specification may be changed without further notice.
www.jetwayipc.com

MM10-H6100 Series



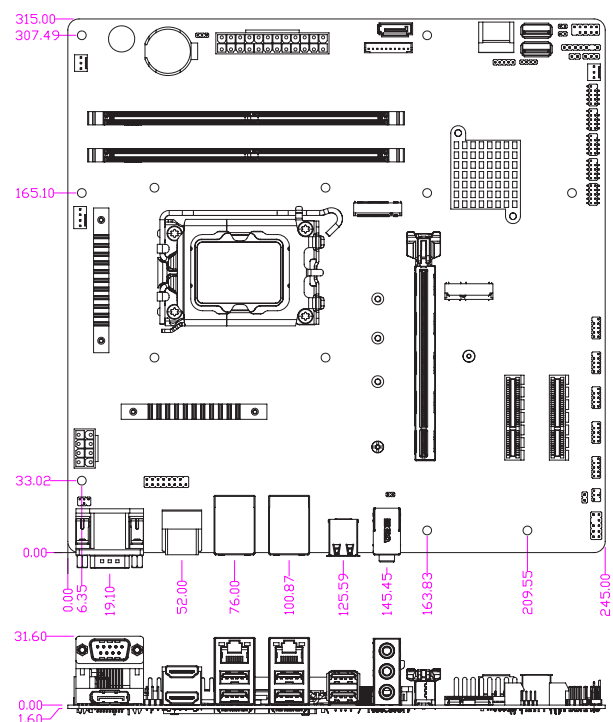
Features

- Intel® 12/13th LGA1700 Socket Processor (Max. 125W TDP under 240A)
- 2* DDR5 4800MHz Long DIMM up to 64GB
- 2* GbE
- 2* HDMI, 1* DP, 1* VGA
- 6* COM (COM1 support RS232/422/485)
- 2* USB3.2 Gen.2, 1* USB3.2 Gen.1, 11* USB2.0
- 1* PCIe x16 slot, 2* PCIe x4 slot, 1* M.2 M-Key (2242/2260/2280/22110, SATA interface), 1* M.2 E-Key (2230, USB2.0 interface) support CNVi
- 3* SATAIII (SATA2 support SATA DOM)
- Support onboard TPM 2.0 (MM10-H6102 only)

Photo



Mechanical Dimension (mm)



Specification

Processor/Chipset	Intel LGA1700 Socket Processor with H610/H610E chipset	Rear I/O Port	2* HDMI, 1* DP, 2* RJ45, 2* USB 3.2 (Gen.2), 4* USB 2.0, 1* RS232/422/485, Line-in, Line-out, MIC
Memory	2* Long DIMM DDR5 4800MHz SDRAM up to 64GB	Internal I/O Port	1* USB 3.2 (Gen.1), 5* USB 2.0, 2* USB 2.0 (Erect), 3* SATAIII, 5* RS232, 1* VGA, 1* PS/2, 1* 8bit GPIO, 1* Audio header, 1* SMBUS, 1* AT mode, TPM2.0 (MM10-H6102)
Ethernet	1* Intel i219V GbE 1* Realtek RTL8153 GbE	WDT	0~255 Sec./Min. programmable
Graphic	2* HDMI 2.0b up to 4096×2160@60Hz 1* DP1.4a up to 7680×3840@60Hz 1* VGA up to 1920×1080@60Hz	Power	24pin ATX + 8pin 12V
Storage	3* SATAIII (6Gb/s, SATA2 support SATA DOM) 1* M.2 M-Key 2242/2260/2280/22110 (SATA interface)	Temperature	Operating: 0~60°C with 0.7 m/s air flow Storage: -20°C ~ 85°C
Expansion Slot	1*M.2 E-Key 2230 (USB2.0 interface) support CNVi 1* PCIe Gen.5 ×16 2* PCIe Gen.3 ×4	Dimension	244 * 244mm (10" * 10")

*The Specification may be changed without further notice.
www.jetwayipc.com

MM10-Q6700 Series

intel FC CE RoHS
COMPLIANT

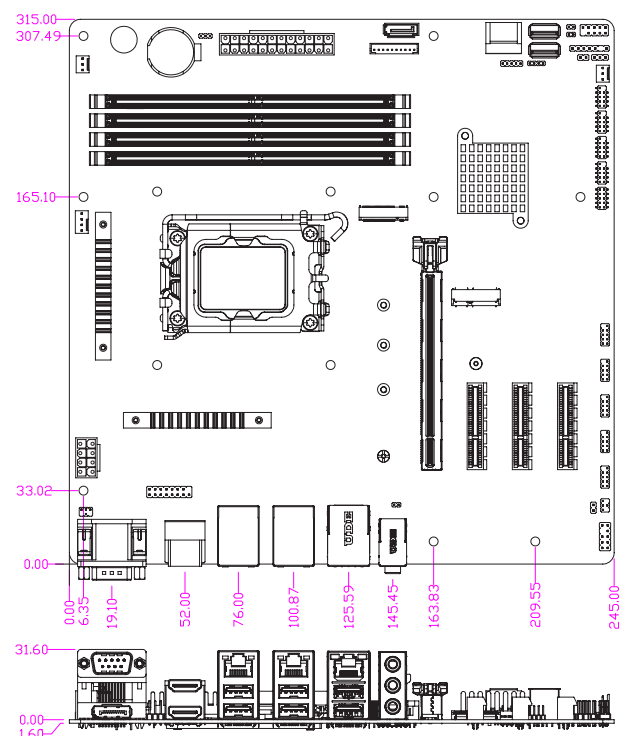
Features

- Intel® 12th/13th LGA1700 Socket Processor (Max. 125W TDP under 240A)
- 4* DDR5 4800MHz Long DIMM up to 128GB
- 2* GbE, 1* 2.5GbE
- 2* HDMI, 1* DP, 1* VGA
- 6* COM (COM1 support RS232/422/485), 6* USB3.2 Gen.2, 1* USB3.2 Gen.1, 11* USB2.0
- 1* PCIe Gen.5×16 slot, 3* PCIe4 slots (2 x Gen.3, 1 x Gen.4), 1*M.2 M-Key 2242/2260/2280/22110 (SATA/PCIex4 interface) support NVMe, 1* M.2 E-Key (2230, USB2.0/ PCIe1 interface) support CNVio
- 3* SATAIII (6Gb/s) support RAID 0, 1, 5, 10 (Support RAID 10 by using additional M.2 M-Key with SATA interface; SATA2 support SATA DOM)
- Support onboard TPM 2.0 (MM10-Q6702 only)

Photo



Mechanical Dimension (mm)



Specification

Processor/Chipset	Intel LGA1700 Socket Processor with Q670E chipset	Rear I/O Port	2* HDMI, 1* DP, 3* RJ45, 6* USB 3.2 (Gen.2), 1* RS232/422/485, Line-in, Line-out, MIC
Memory	4* Long DIMM DDR5 4800MHz SDRAM up to 128GB		
Ethernet	1* Intel i219-LM GbE, 1* Realtek RTL8153 GbE, 1* Intel i225-V 2.5GbE	Internal I/O Port	1* USB 3.2 (Gen.1), 9* USB 2.0, 2* USB 2.0 (Erect), 3* SATAIII, 5* RS232, 1* VGA, 1* PS/2, 1* 8bit GPIO, 1* Audio header, 1* SMBUS, 1* AT mode, TPM2.0 (MM10-Q6702)
Graphic	2* HDMI 2.0b up to 4096×2160@60Hz 1* DP1.4a up to 7680×3840@60Hz 1* VGA up to 1920×1080@60Hz	WDT	0~255 Sec./Min. programmable
Storage	3* SATAIII (6Gb/s) support RAID 0/1/5/10 1* M.2 M-Key 2242/2260/2280/22110 (SATA/PCIe Gen.4 ×4 interface) support NVMe	Power	24pin ATX + 8pin 12V
Expansion Slot	1* M.2 E-Key 2230 (USB2.0/PCIe Gen.4 ×1 interface) support CNVi 1* PCIe Gen.5 ×16, 1* PCIe Gen.4 ×4, 2* PCIe Gen.3 ×4	Temperature	Operating: 0~60°C with 0.7 m/s air flow Storage: -20°C ~ 85°C
		Dimension	244 * 244mm (10" * 10")

*The Specification may be changed without further notice.
www.jetwayipc.com

MM21-Q4700 Series



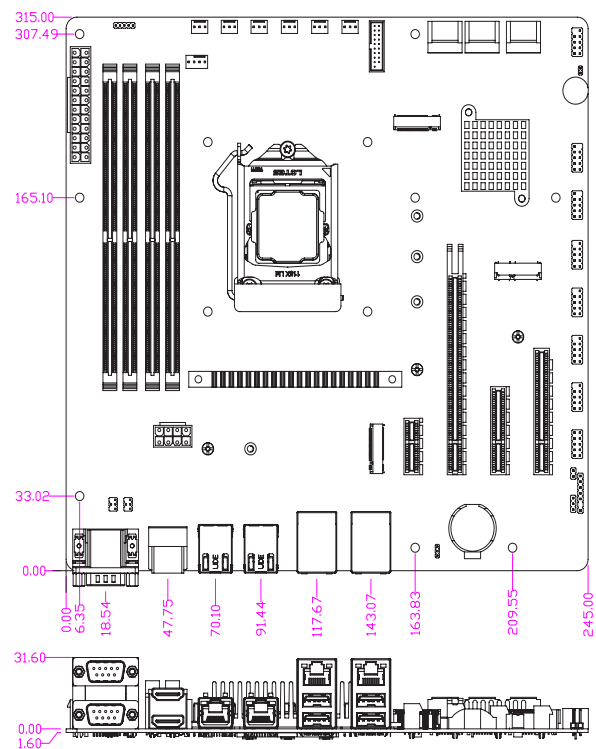
Features

- Intel® LGA1200 Socket Processor (Max 95W)
- Intel® Q470E Chipset
- 4* DDR4 2933/2666/2400MHz up to 128GB
- 1* Intel i219-LM GbE, 1* Intel i210-AT GbE, 2* Intel i225-V 2.5GbE
- 6* SATAIII (6Gb/s) support RAID 0/1/5/10 & 2* M.2 (M-key), 1* M.2 (E-key) supports CNVi, 1* PCIe x16, 1* PCIe x8, 1* PCIe x4, 1* PCIe x1
- 2* HDMI, 2* RS232/422/485, 4* RS232, 4* USB 3.2 (Gen.2), 2* USB 3.2 (Gen.1), 4* USB 2.0
- ATX Power Input
- Support TPM2.0 (MM21-Q4702 only)
- Micro ATX Form Factor

Photo



Mechanical Dimension (mm)



Specification

Processor/Chipset	Intel LGA1200 Socket Processor with Q470E Chipset	Rear I/O Port	2* HDMI, 2* RJ45 GbE, 2* RJ45 2.5GbE, 4* USB 3.2 (Gen.2), 2* RS232/422/485
Memory	4* Long DIMM DDR4 2933/2666/2400MHz SDRAM up to 128GB	Internal I/O Port	2* USB 3.2 (Gen.1), 4* USB 2.0, 6* SATAIII, 4* RS232, 1* GPIO, 1* SMBUS/I2C, 1* AT mode
Ethernet	1* Intel i219-LM GbE, 1* Intel i210-AT GbE, 2* Intel i225-V 2.5GbE"		
Graphic	2* HDMI 1.4 up to 4096×2160@30Hz		
Storage	6* SATAIII (6Gb/s) support RAID 0/1/5/10 1* M.2 M-key 2242/2260/2280/22110 (PCIe x4 interface) support NVMe, 1* M.2 M-key 2260/2280 (PCIe x2 interface)	WDT	0~255 Sec./Min. programmable
Expansion Slot	1* M.2 E-key 2230 (PCIe x1/USB2.0 interface) support CNVi, 1* PCIe x16, 1* PCIe x8 (share with PCIe x16), 1* PCIe x4, 1* PCIe x1	Power	24pin ATX + 8pin 12V
		Temperature	Operating: 0~60°C with 0.7 m/s air flow Storage: -20°C ~ 85°C
		Dimension	244 * 244mm (10" * 10")

*The Specification may be changed without further notice.
www.jetwayipc.com

MM21-W4800 Series

intel FC CE RoHS
COMPLIANT

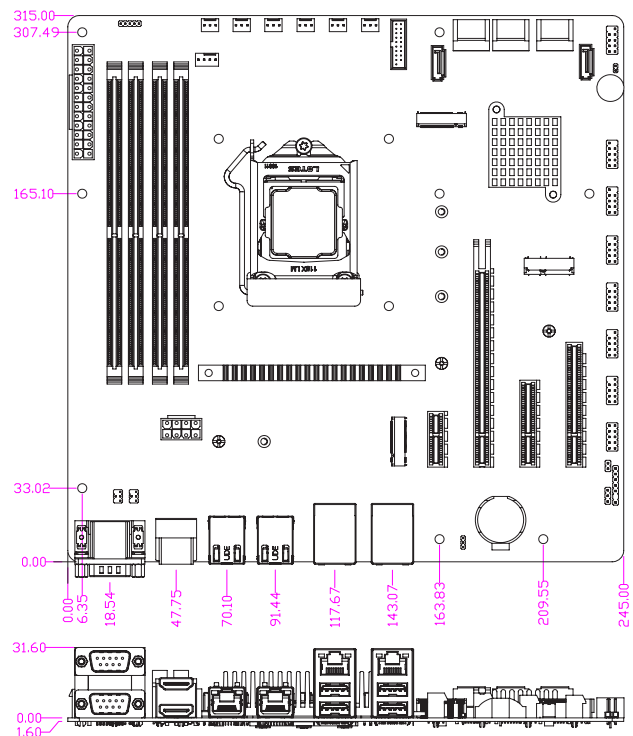
Features

- Intel® LGA1200 Socket Processor (Max 95W)
- Intel® W480E Chipset
- 4* DDR4 2933/2666/2400MHz up to 128GB support ECC
- 1* Intel i219-LM GbE, 1* Intel i210-AT GbE, 2*Intel i225-LM 2.5GbE
- SATAIII (6Gb/s) support RAID 0/1/5/10 & 2* M.2 (M-key), 1* M.2 (E-key) supports CNVi, 1* PCIe x16, 1* PCIe x8, 1* PCIe x4, 1* PCIe x1
- 2* HDMI, 2* RS232, 4* USB 3.2 (Gen.2), 2* USB 3.2 (Gen.1), 4* USB 2.0
- ATX Power Input
- Support TPM2.0 (MM21-W4802 only)
- Micro ATX Form Factor

Photo



Mechanical Dimension (mm)



Specification

Processor/Chipset	Intel LGA1200 Socket Processor with W480E Chipset	Rear I/O Port	2* HDMI, 2* RJ45 GbE, 2* RJ45 2.5GbE,
Memory	4* Long DIMM DDR4 2933/2666/2400MHz SDRAM up to 128GB support ECC		4* USB 3.2 (Gen.2), 2* RS232
Ethernet	1* Intel i219-LM GbE, 1* Intel i210-AT GbE, 2* Intel i225-LM 2.5GbE	Internal I/O Port	2* USB 3.2 (Gen.1), 4* USB 2.0, 8* SATAIII, 1* GPIO, 1* SMBUS/I2C, 1* AT mode
Graphic	2* HDMI 1.4 up to 4096×2160@30Hz		
Storage	8* SATAIII (6Gb/s) support RAID 0/1/5/10 1* M.2 M-key 2242/2260/2280/22110 (PCIe x4 interface) support NVMe	WDT	0~255 Sec./Min. programmable
Expansion Slot	1* M.2 M-key 2260/2280 (PCIe x2 interface)" 1* M.2 E-key 2230 (PCIe x1/USB2.0 interface) support CNVi, 1* PCIe x16, 1* PCIe x8 (share with PCIe x16), 1* PCIe x4, 1* PCIe x1	Power	24pin ATX + 8pin 12V
		Temperature	Operating: 0~60°C with 0.7 m/s air flow Storage: -20°C ~ 85°C
		Dimension	244 * 244mm (10" * 10")

*The Specification may be changed without further notice.
www.jetwayipc.com

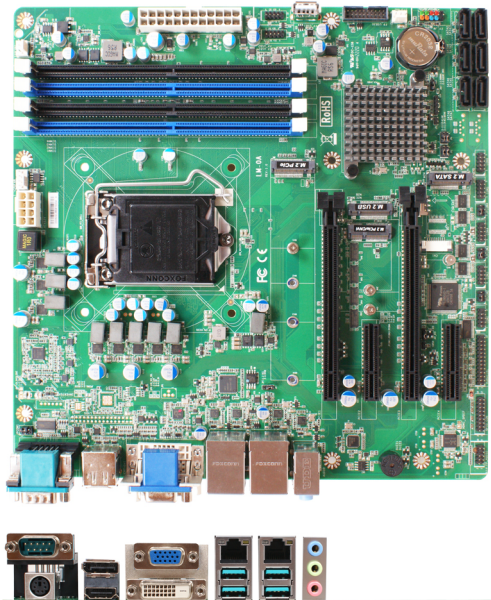
JLM-0A1



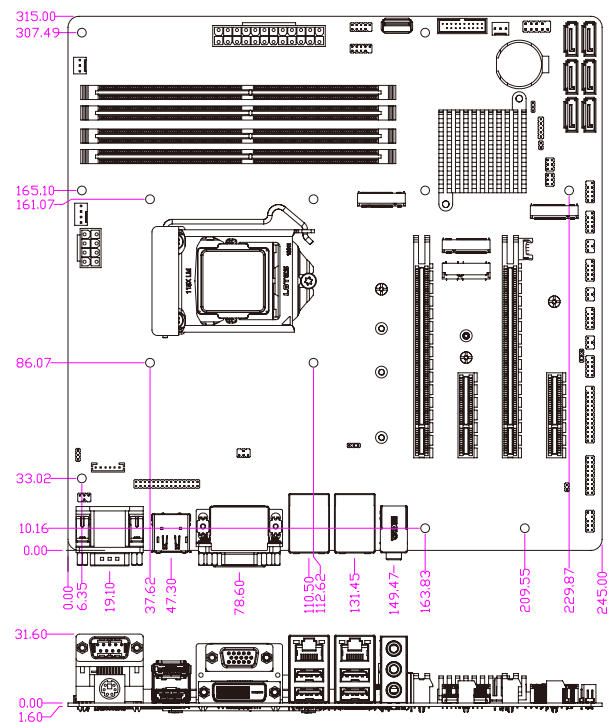
Features

- Intel® LGA1151 Socket supports 9th/8th Gen. Core Processor (Max 95W)
- Intel® Coffee Lake-S Q370 Chip
- Support 4* DDR4 2666/2400/2133MHz up to 128GB
- 1* Intel® i219-LM GbE + 1* Intel® i211AT GbE
- 6* SATA III (6Gb/s), 2* M.2 (M key), 1* M.2 (B key),
- 1* M.2 (E key) supports CNVi, 2* PCI-E x16, 2* PCI-E x4
- VGA/DVI-D/HDMI/DP/LVDS Output
- 2* RS232/422/485 (COM1/2), 4*RS232
- 5* USB3.1, 6* USB2.0
- ATX Power Input
- Micro ATX Form Factor

Photo



Mechanical Dimension (mm)



Specification

Processor/Chipset	Intel LGA1151 Socket 8th/9th Processor with Q370 chipset	Rear I/O Port	1* VGA, 1* DVI-D, 1* HDMI, 1* DP, 2* RJ45, 4* USB3.1, Line-in, Line-out, MIC, 1* RS232/422/485, 1* PS/2
Memory	4* Long DIMM DDR4 2666/2400/2133MHz SDRAM up to 128GB	Internal I/O Port	1* USB 3.1(Gen.1), 6* USB 2.0 (1*Erect), 1* LVDS (Co-lay VGA/Option), 1* RS232/422/485, 4* RS232, 1* Parallel, 1* GPIO, 1* Audio header, 1* TPM2.0 (option)
Ethernet	1* Intel i219-V GbE 1* Intel i210AT GbE	WDT	0~255 Sec./Min. programmable
Graphic	1* HDMI 1.4 up to 4096×2160@30Hz, 1* DP 1.2 up to 4096×2304@60Hz, 1* DVI-D up to 1920×1200@60Hz, 1* VGA up to 1920×1080@60Hz (Co-lay LVDS), 1* 24-bits Dual CH LVDS up to 1920×1200@60Hz (Co-lay VGA, Option)	Power	24pin ATX + 8pin 12V
Storage	6* SATAIII (6Gb/s, support RAID 0/1/5/10; SATA6 co-lay M.2 2242), 1* M.2 M-key 2242 (SATA interface, co-lay SATA6), 1* M.2 M-key 2242/2280/22110 support NVMe	Temperature	Operating: 0~60°C with 0.7 m/s air flow Storage: -20°C ~ 85°C
Expansion Slot	2* PCIe x16, 2* PCIe x4 1* M.2 E-key (2230) support CNVi 1* M.2 B-key (3042/3052) w/Nano SIM card slot	Dimension	244 * 244mm (10" * 10")

*The Specification may be changed without further notice.
www.jetwayipc.com

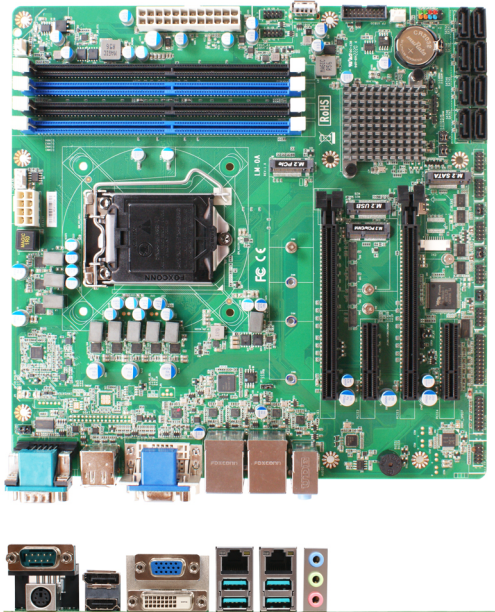
JLM-0A2

intel FC CE RoHS
COMPLIANT

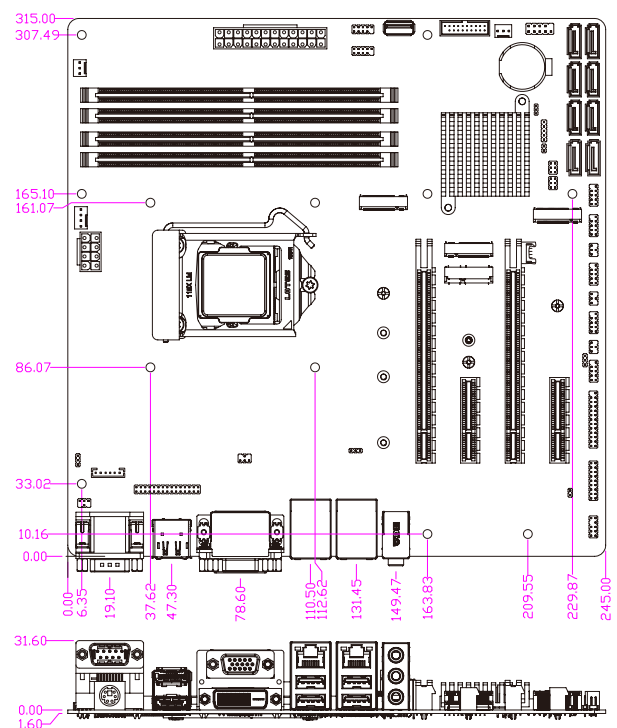
Features

- Intel® LGA1151 Socket supports 9th/8th Gen. Core and Xeon® E, Core™ i7/ i5 /i3, Pentium® Processor (Max 95W)
- Intel® Coffee Lake-S C246 Chip
- Support 4* DDR4 2666/2400/2133MHz up to 128GB
- 1* Intel® i219-LM GbE + 1* Intel® i211AT GbE
- 8* SATA III, 2* M.2 (M key), 1* M.2 (B key), 1* M.2 (E key) supports CNVi, 2* PCI-E x16, 2* PCI-E x4
- VGA/DVI-D/HDMI/DP/LVDS Output
- 2* RS232/422/485 (COM1/2), 4*RS232, 5* USB3.1, 6* USB2.0
- ATX Power Input
- Micro ATX Form Factor

Photo



Mechanical Dimension (mm)



Specification

Processor/Chipset	Intel LGA1151 Socket 8th/9th Processor with C246 chipset	Rear I/O Port	1* VGA, 1* DVI-D, 1* HDMI, 1* DP, 2* RJ45, 4* USB3.1, Line-in, Line-out, MIC, 1* RS232/422/485, 1* PS/2
Memory	4* Long DIMM DDR4 2666/2400/2133MHz SDRAM up to 128GB	Internal I/O Port	1* USB 3.1 (Gen.1), 6* USB 2.0 (1* Erect), 1* LVDS (Co-lay VGA/Option), 1* RS232/422/485, 4* RS232, 1* Parallel, 1* GPIO, 1* Audio header, 1* TPM2.0 (option)
Ethernet	1* Intel i219-V GbE 1* Intel i210AT GbE	WDT	0~255 Sec./Min. programmable
Graphic	1* HDMI 1.4 up to 4096*2160@30Hz, 1* DP 1.2 up to 4096*2304@60Hz, 1* DVI-D up to 1920x1200@60Hz, 1* VGA up to 1920*1080@60Hz (Co-lay LVDS), 1* 24-bits Dual CH LVDS up to 1920x1200@60Hz (Co-lay VGA, Option)	Power	24pin ATX + 8pin 12V
Storage	8* SATAIII (6Gb/s, support RAID 0/1/5/10; SATA6 co-lay M.2 2242), 1* M.2 M-key 2242 (SATA interface, co-lay SATA6), 1* M.2 M-key 2242/2280/22110 support NVMe	Temperature	Operating: 0~60°C with 0.7 m/s air flow Storage: -20°C ~ 85°C
Expansion Slot	2* PCIe x16, 2* PCIe x4 1* M.2 E-key (2230) support CNVi 1* M.2 B-key (3042/3052) w/Nano SIM card slot	Dimension	244 * 244mm (10" * 10")

*The Specification may be changed without further notice.
www.jetwayipc.com

JLMOB-00



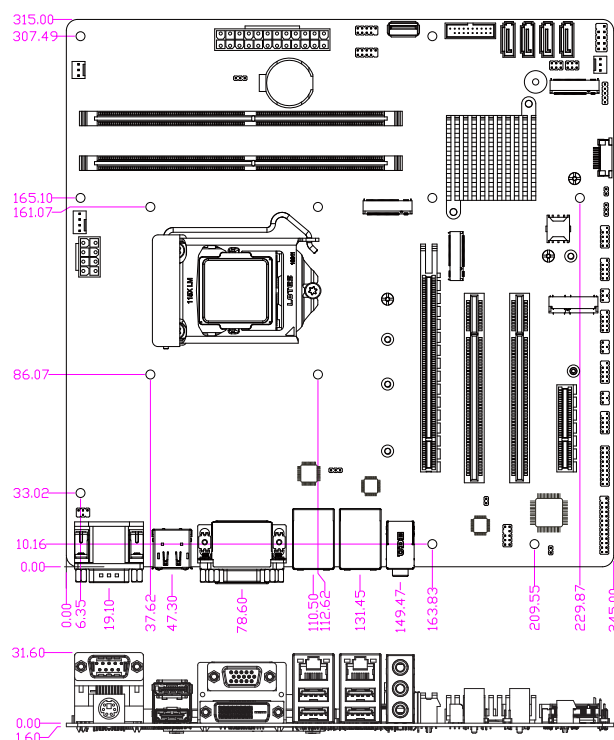
Features

- Intel® LGA1151 Socket support 9/8th Gen. Core Processor (Max 95W)
- Intel® Coffee Lake-S H310 Chipset
- 2* DDR4 2666/2400/2133MHz SO-DIMM up to 64GB
- Realtek HD Audio (LM0B-00 model)
- 1* Intel® I219-V GbE, 1* Intel® i211AT GbE
- 4* SATAIII (6Gb/s), 1* M.2 (M-key), 1* M.2 (E-key) support CNVi, 1* PCI-E x16, 1* PCI-Ex4, 2* PCI
- Support VGA / DVI-D / HDMI / DP dual display
- 2* RS232/422/485 (COM1/2), 4* RS232, 4* USB3.1, 5* USB2.0
- ATX Power Input
- Micro ATX Form Factor

Photo



Mechanical Dimension (mm)



Specification

Processor/Chipset	Intel LGA1151 Socket 8th/9th Processor with H310 chipset	Rear I/O Port	1* VGA, 1* DVI-D, 1* HDMI, 1* DP, 2* RJ45, 4* USB3.1, 1* RS232/422/485, 1* PS/2, Line-in, Line-out, MIC
Memory	2* Long DIMM DDR4 2666/2400/2133MHz SDRAM up to 64GB	Internal I/O Port	4* USB 2.0, 1* USB2.0 (Erect), 1* RS232/422/485, 4* RS232, 4* SATAIII (6.0Gb/s), 1* Parallel, 1* 16bit GPIO, 1* Audio header, 1* SMBUS/I2C, 1* AT mode, 1* TPM2.0 (option)
Ethernet	1* Intel I219-V GbE 1* Intel i211AT GbE	WDT	0~255 Sec./Min. programmable
Graphic	1* HDMI 1.4 up to 4096×2160@30Hz, 1* DP 1.2 up to 4096×2304@60Hz, 1* DVI-D up to 1920×1200@60Hz, 1* VGA up to 1920×1080@60Hz	Power	24pin ATX + 8pin 12V
Storage	4* SATAIII (6Gb/s) 1* M.2 M-key 2242 (Co-lay SATA4)	Temperature	Operating: 0~60°C with 0.7 m/s air flow Storage: -20°C ~ 85°C
Expansion Slot	1* PCIe x16, 1* PCIe x4, 2* PCI 1* M.2 E-key (2230) support CNVi	Dimension	244 * 244mm (10" * 10")

*The Specification may be changed without further notice.
www.jetwayipc.com

JNMF891-H310

intel FC CE RoHS
COMPLIANT

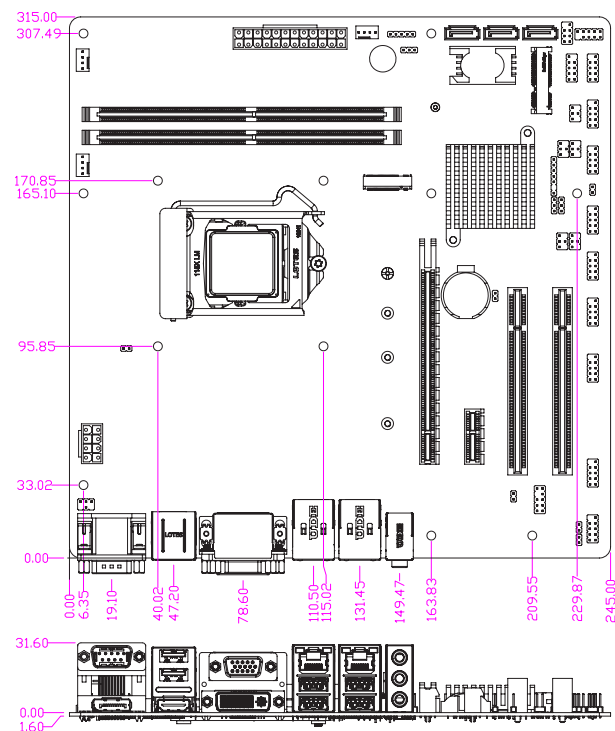
Features

- Intel® LGA1151 Socket Gen8 Coffee Lake Core i3, i5, i7 & Pentium Processors (Max. 65W TDP)
- Intel H310 Express Chipset
- Support Dual Channel DDR4 2666MHz, 2 * UDIMM slot, up to 64GB memory
- 2 * Realtek Gigabit LAN (RTL8111H)
- 3 * SATA III (6Gb/s), 1 * M.2 (M-key, 2242/2260/2280/22110, SATA Interface)
- 4 * USB 3.1(Gen 1), 4 * USB 2.0
- 10 * COM ports (COM1/2 supports RS232/422/485)
- Support TPM 1.2/2.0 onboard option
- Micro ATX form factor

Photo



Mechanical Dimension (mm)



Specification

Processor/Chipset	Intel LGA1151 Socket 8th/9th Processor with H310 chipset	Rear I/O Port	1* HDMI, 1* DVI-D, 1* VGA, 1* DP, 2* RJ45, 4* USB3.1(Gen. 1), 2* USB2.0, 1* RS232/422/485, Line-out, Line-in, MIC
Memory	2* Long DIMM DDR4 2666/2400/2133MHz SDRAM up to 64GB	Internal I/O Port	2* USB2.0, 1* RS232/422/485, 8* RS232, 1* GPIO, 1* PS/2, 1* Audio header, 1* TPM2.0 (option)
Ethernet	2* Realtek RTL8111H GbE	WDT	0~255 Sec./Min. programmable
Graphic	1* HDMI 1.4 up to 4096×2160@30Hz, 1* DP 1.2 up to 4096×2304@60Hz, 1* DVI-D up to 1920×1200@60Hz, 1* VGA up to 1920×1080@60Hz	Power	24pin ATX + 8pin 12V
Storage	3* SATAIII (6Gb/s) 1* M.2 M-key 2242/2260/2280/22110 (SATA interface)	Temperature	Operating: 0~60°C with 0.7 m/s air flow Storage: -20~85°C
Expansion Slot	1* PCIe x16, 1* PCIe x1, 2* PCI, 1* Mini PCIe (full size) 1* SIM card slot	Dimension	244 * 244mm (10" * 10")

*The Specification may be changed without further notice.
www.jetwayipc.com

MM91 Series

intel FC CE RoHS
COMPLIANT

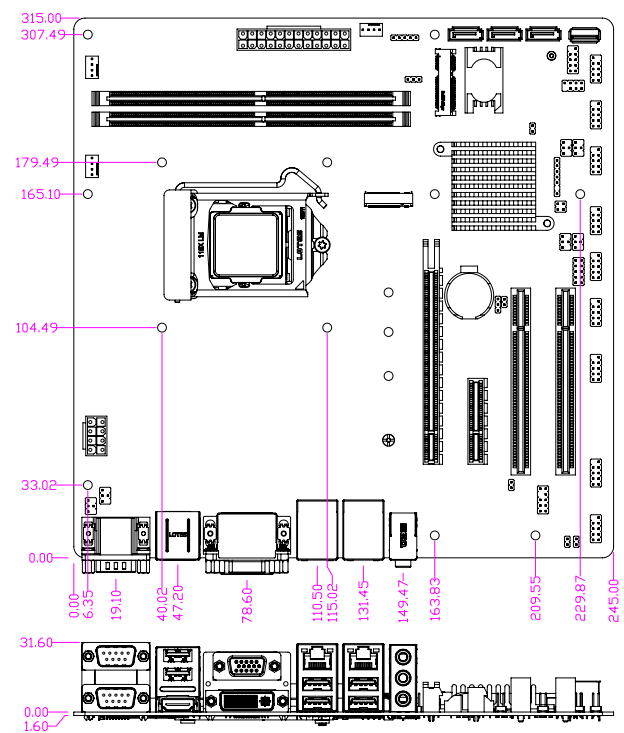
Features

- Intel® LGA1151 Socket Core i3, i5, i7 & Pentium Processors (Max. 65W))
- Intel® H110 Express Chipset
- Support Dual Channel DDR4 2133MHz, 2* Long DIMM slot up to 32GB memory
- 2* Intel Gigabit LAN (I219-V + I211-AT)
- 3* SATA III (6Gb/s), 1* M.2 (M-key 2242/2260/2280/22110)
- 4* USB 3.0, 5* USB 2.0, 10* COM ports (COM1 supports RS232/422/485)
- Support TPM function (option)
- Micro ATX form factor

Photo



Mechanical Dimension (mm)



Specification

Processor/Chipset	Intel LGA1151 Socket 6th/7th Processor with H110 chipset	Rear I/O Port	1* VGA, 1* HDMI, 1* DVI-D, 2* RJ45, 4* USB3.1 (Gen. 1), 2* USB2.0, Line-in, Line-out, MIC, 1* RS232/422/485, 1* RS232
Memory	2* Long DIMM DDR4 2133MHz SDRAM up to 32GB	Internal I/O Port	3* USB2.0 (1* Erect), 8* COM, 1* GPIO, 1* PS/2, 1* Audio header, 1* TPM2.0 (option)
Ethernet	1* Intel i211AT GbE 1* Intel i219V GbE	WDT	0~255 Sec./Min. programmable
Graphic	1* HDMI1.4 up to 4096×2160@24Hz 1* DVI-D up to 1920×1200@60Hz 1* VGA up to 1920×1080@60Hz	Power	24pin ATX + 8pin 12V
Storage	3* SATAIII (6Gb/s) 1* M.2 M-key 2242/2260/2280/22110 (SATA interface)	Temperature	Operating: 0~60°C with 0.7 m/s air flow Storage: -20~85°C
Expansion Slot	1* PCIe x16, 1* PCIe x4, 2* PCI 1* Mini PCIe (full size) 1* SIM card slot	Dimension	244 * 244mm (10" * 10")

*The Specification may be changed without further notice.
www.jetwayipc.com

JNMF691-H110



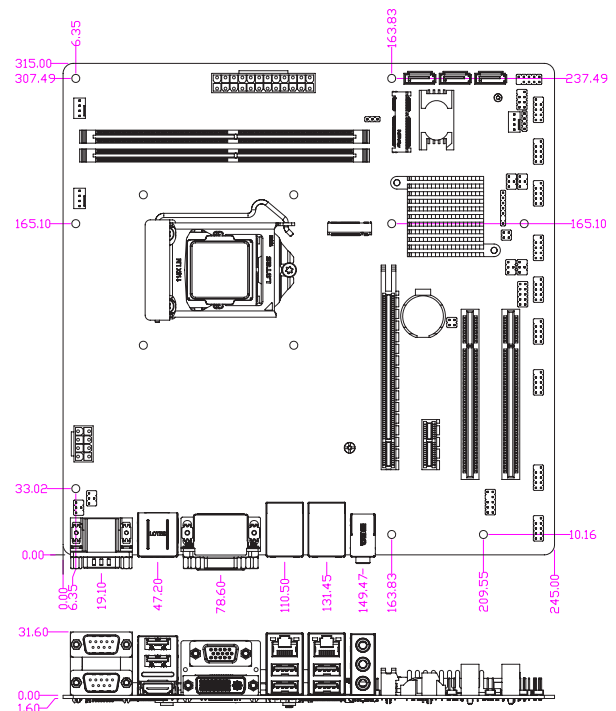
Features

- Intel H110 Express Chipset
- Support Dual Channel DDR4 2133MHz, 2 * Long DIMM slot, up to 32GB memory
- 2 * Realtek Gigabit LAN (RTL8111G)
- 3 * SATA III (6Gb/s), 1 * M.2 (M Key 2242/2260/2280/22110, SATA interface)
- 4 * USB 3.0, 5 * USB 2.0/1.1
- 10 * COM ports (COM1 supports RS232/422/485)
- Support TPM 1.2 function (option)
- Micro ATX form factor

Photo



Mechanical Dimension (mm)



Specification

Processor/Chipset	Intel LGA1151 Socket 6th/7th Processor with H110 chipset	Rear I/O Port	1* VGA, 1* HDMI, 1* DVI-D, 2* RJ45,
Memory	2* Long DIMM DDR4 2133MHz SDRAM up to 32GB		4* USB3.1 (Gen. 1), , 2* USB2.0, Line-in,
			Line-out, MIC, 1* RS232/422/485, 1* RS232
Ethernet	2* Realtek RTL8111H GbE	Internal I/O Port	3* USB2.0, 8* COM, 1* GPIO, 1* PS/2,
Graphic	1* HDMI1.4 up to 4096×2160@24Hz		1* Audio header, 1* TPM2.0 (option)
	1* DVI-D up to 1920×1200@60Hz		
	1* VGA up to 1920x1080@60Hz		
Storage	3* SATAIII (6Gb/s)		
	1* M.2 M-key 2242/2260/2280/22110 (SATA interface)	WDT	0~255 Sec./Min. programmable
Expansion Slot	1* PCIe x16, 1* PCIe x1, 2* PCI	Power	24pin ATX + 8pin 12V
	1* Mini PCIe (full size)	Temperature	Operating: 0~60°C with 0.7 m/s air flow
	1* SIM card slot		Storage: -20~85°C
		Dimension	244 * 244mm (10" * 10")

*The Specification may be changed without further notice.
www.jetwayipc.com

MA20-Q6700 Series

intel FC CE RoHS
COMPLIANT

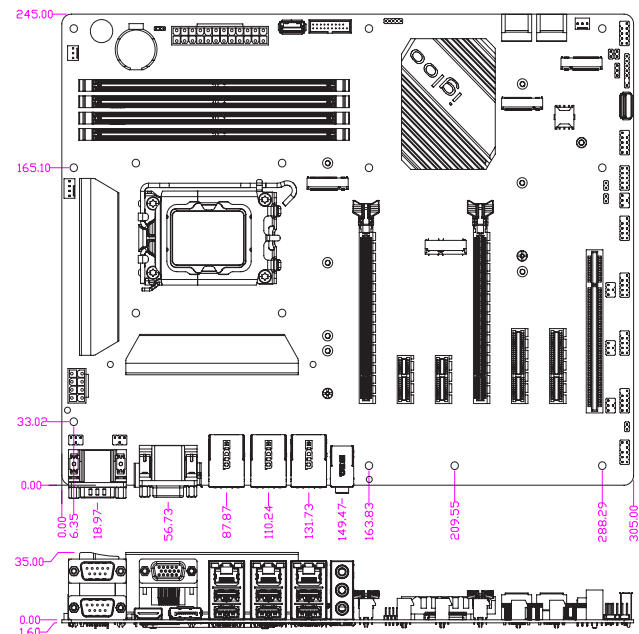
Features

- Intel® LGA1700 Socket support Gen. 12th/13th Processor (Max. 128W TDP)
- Intel® Q670E Chipset
- 4* DDR5 4800MHz Long DIMM up to 128GB
- 3* 10/100/1000/ 2500 Base-TX Ethernet Ports
- 1* HDMI, 1* DP, 1* VGA
- 6* COM (COM1/2 support RS232/422/485; COM1/2/3/4 support 5V/12V TTL)
- 7* USB3.2 Gen.2, 1* USB3.2 Gen.1, 3* USB2.0
- 2* PCIe Gen.4 x16 (1*PCIe Gen.4 x 16 or 2*PCIe Gen.4 x 8), 2* PCIe Gen.4 x4, 2* PCIe Gen.3 x1, 1* PCI
- 2* M.2 M-key, 1* M.2 E-key, 1* M.2 B-key
- 4* SATAIII (6Gb/s) support RAID 0,1,5,10
- Support Onboard TPM2.0 (MA20-Q6702 only)

Photo



Mechanical Dimension (mm)



Specification

Processor/Chipset	Intel LGA1700 Socket 12th/13th Processor with Q670E chipset	Rear I/O Port	1* HDMI, 1* DP, 1* VGA, 3* RJ45,
Memory	4* Long DIMM DDR5 4800MHz SDRAM up to 128GB		6* USB3.2 (Gen.2), 2* RS232/422/485,
			Line-in, Line-out, MIC
Ethernet	1* Intel i226-LM 2.5GbE	Internal I/O Port	2* USB3.2 (Gen.1), 1* USB3.2 (Gen.2) Erect,
	2* Intel i226-V 2.5GbE		2* USB2.0, 1* USB2.0 Erect, 4* SATAIII,
Graphic	1* HDMI 2.0b up to 4096x2160@60Hz		4* RS232, 1* Nano SIM card slot, 1* PS/2,
	1* DP1.4a up to 7680x3840@60Hz		1* 8bit GPIO, 1* Audio header, 1* SMBUS,
	1* VGA up to 1920x1080@60Hz		1* AT mode, 1* TPM2.0 (MA20-Q6702)
Storage	4* SATAIII (6Gb/s) support RAID 0/1/5/10	WDT	0~255 Sec./Min. programmable
	1* M.2 M-Key 2242/2280 support NVMe, 1* M.2 M-Key	Power	ATX power input
	2242/2280 support NVMe	Temperature	Operating: 0~60°C with 0.7 m/s air flow
Expansion Slot	1* M.2 E-Key 2230 support CNVi, 1*M.2 B-key 3042/3052 (PCIe Gen.3		Storage: -20~85°C
	x1/USB3.2 Gen.2/USB2.0 interface) , 2* PCIe Gen.4 x16 (1*PCIe Gen.4		
	x 16 or 2*PCIe Gen.4 x 8), 2* PCIe Gen.4 x4, 2* PCIe Gen.3 x1, 1* PCI		
		Dimension	305 * 244mm (12" * 10")

*The Specification may be changed without further notice.
www.jetwayipc.com

MA20-R6800 Series

Features

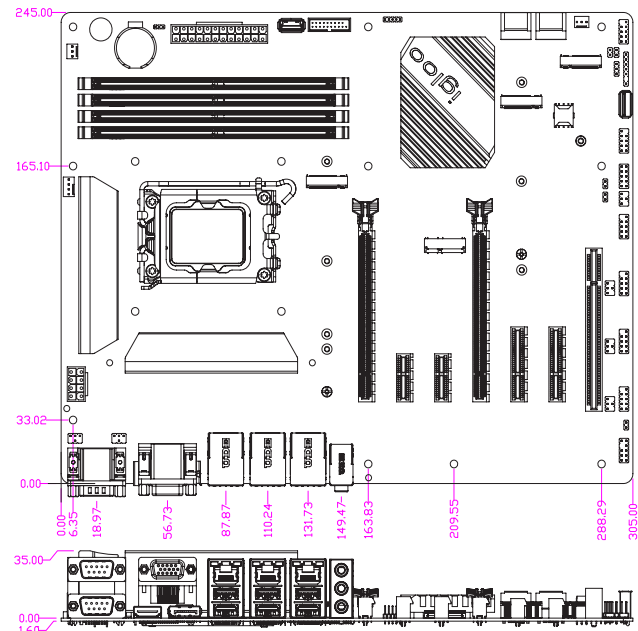


- Intel® LGA1700 Socket support Gen. 12th/13th Processor (Max. 128W TDP)
- Intel® Q670E Chipset
- 4* DDR5 4800MHz Long DIMM up to 128GB support ECC
- 3* 10/100/1000/ 2500 Base-TX Ethernet Ports
- 1* HDMI, 1* DP, 1* VGA
- 6* COM (COM1/2 support RS232/422/485;
- COM1/2/3/4 support 5V/12V TTL)
- 7* USB3.2 Gen.2, 1* USB3.2 Gen.1, 3* USB2.0
- 2* PCIe Gen.4 x16 (1*PCIe Gen.4 x 16 or 2*PCIe Gen.4 x 8), 2* PCIe Gen.4 x4, 2* PCIe Gen.3 x1, 1* PCI
- 2* M.2 M-key, 1* M.2 E-key, 1* M.2 B-key
- 4* SATAIII (6Gb/s) support RAID 0,1,5,10
- Support Onboard TPM2.0 (MA20-R6802 only)

Photo



Mechanical Dimension (mm)



Specification

Processor/Chipset	Intel LGA1700 Socket 12th/13th Processor with R680E chipset	Rear I/O Port	1* HDMI, 1* DP, 1* VGA, 3* RJ45,
Memory	4* Long DIMM DDR5 4800MHz SDRAM up to 128GB support ECC		6* USB3.2 (Gen.2), 2* RS232/422/485, Line-in, Line-out, MIC
Ethernet	1* Intel i226-LM 2.5GbE		
	2* Intel i226-V 2.5GbE	Internal I/O Port	2* USB3.2 (Gen.1), 1* USB3.2 (Gen.2) Erect,
Graphic	1* HDMI 2.0b up to 4096x2160@60Hz		2* USB2.0, 1* USB2.0 Erect, 4* SATAIII,
	1* DP1.4a up to 7680x3840@60Hz		4* RS232, 1* Nano SIM card slot, 1* PS/2,
	1* VGA up to 1920x1080@60Hz		1* 8bit GPIO, 1* Audio header, 1* SMBUS,
Storage	4* SATAIII (6Gb/s) support RAID 0/1/5/10,		1* AT mode, 1* TPM2.0 (MA20-R6802)
	1* M.2 M-Key 2242/2280 support NVMe, 1* M.2 M-Key	WDT	0~255 Sec./Min. programmable
	2242/2280 support NVMe, 1* M.2 E-Key 2230 support CNVi	Power	ATX power input
Expansion Slot	1* M.2 B-key 3042/3052, 2* PCIe Gen.4 x16 (1*PCIe Gen.4 x 16 or 2*PCIe Gen.4 x 8), 2* PCIe Gen.4 x4,	Temperature	Operating: 0~60°C with 0.7 m/s air flow
	2* PCIe Gen.3 x1, 1* PCI		Storage: -20~85°C
		Dimension	305 * 244mm (12" * 10")

*The Specification may be changed without further notice.
www.jetwayipc.com

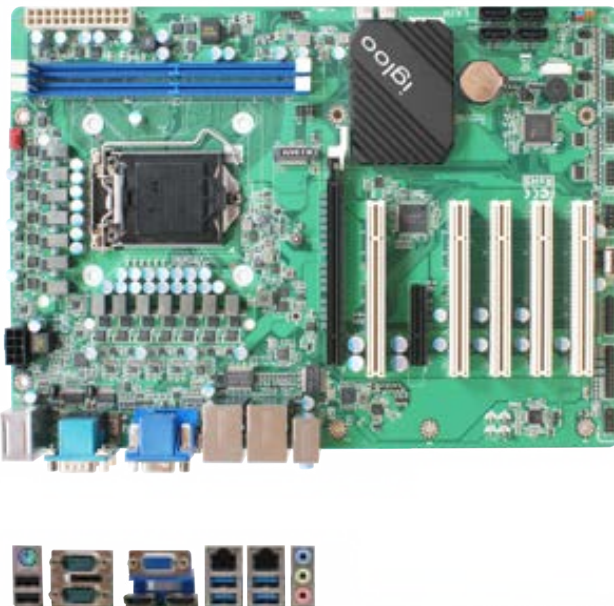
LA2H-H420E



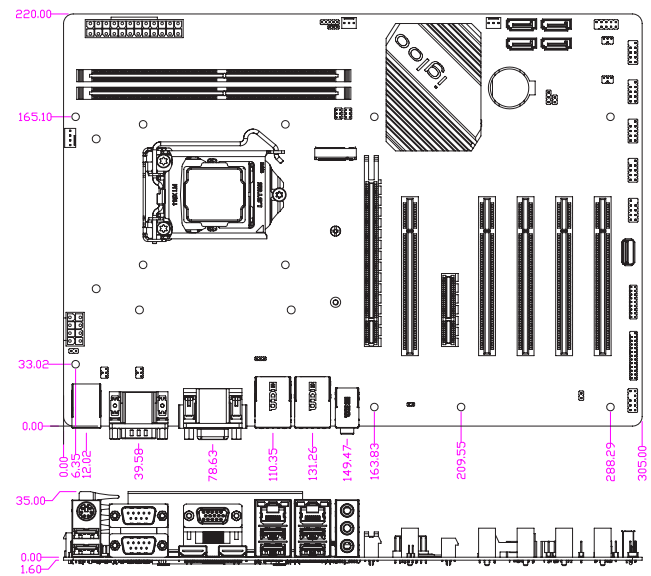
Features

- Intel® LGA1200 Socket support Gen. 10/11th Processor (Max. 125W)
- Intel® Comet Lake-S H420E chipset
- 2* DDR4 3200/2933MHz up to 64GB
- 1* Intel® i225-V 2.5GbE, 1* Intel® i219-LM GbE
- 4* SATA III (6Gb/s, SATA4 CO-LAY M-key), 1* M.2 M-Key (SATA)
- 1* VGA, 2* HDMI
- 2* RS232/422/485, 4* RS232, 4* USB3.2(Gen1), 5* USB2.0
- 1* PCI-E x16, 1* PCI-E x4, 5* PCI Slots
- 1* CPU FAN, 2* System FAN
- TPM 2.0 (option)
- 24 + 8 Pin ATX Power Input
- ATX Form Factor

Photo



Mechanical Dimension (mm)



Specification

Processor/Chipset	Intel LGA1200 Socket 10th/11th Processor with H420E chipset	Rear I/O Port	2* RS232/422/485, 4* USB3.2 (Gen.1), 2* USB2.0, 1* VGA, 2* HDMI 1.4, 2* RJ45, Line-in, Line-out, MIC
Memory	2* Long DIMM DDR4 3200/2933MHz SDRAM up to 64GB	Internal I/O Port	2* USB2.0, 1* USB2.0 (Erect), 4* RS232, 4* SATAIII (6.0Gb/s), 1* 16bit GPIO, 1* LPT (Co-lay GPIO), 1* SMBUS/ I2C, 1* AT mode
Ethernet	1* Intel i225-V 2.5GbE 1* Intel i219-LM GbE		
Graphic	2* HDMI 1.4 up to 4096×2160@30Hz 1* VGA up to 1920×1080@60Hz		
Storage	4* SATAIII (6Gb/s, SATA4 Co-lay M-key) 1* M.2 M-key 2242/2280 (SATA interface, Co-lay SATA4)	WDT	0~255 Sec./Min. programmable
Expansion Slot	1* PCIe x16 1* PCIe x4 5* PCI slot	Power	ATX power input
		Temperature	Operating: 0~60°C with 0.7 m/s air flow Storage: -20~85°C
		Dimension	305 * 244mm (12" * 10")

*The Specification may be changed without further notice.
www.jetwayipc.com

JLA0H-00



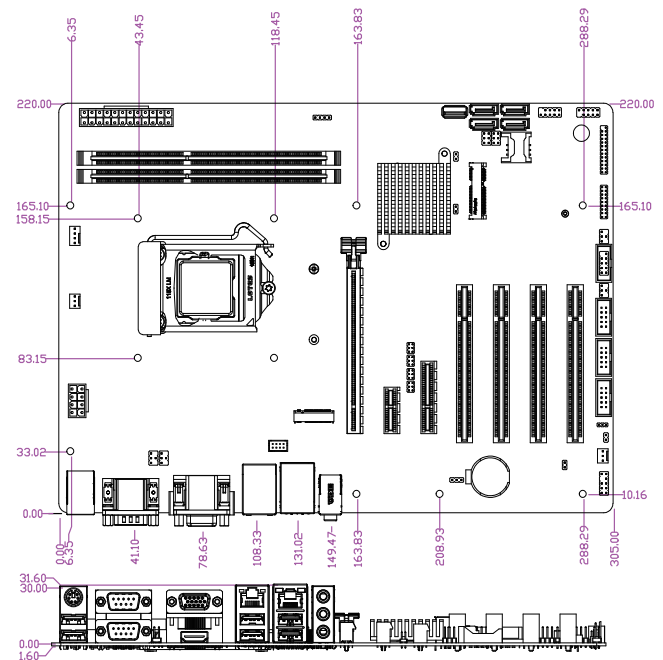
Features

- Intel® LGA1200 Socket support Gen. 10/11th Processor (Max. 100W)
- Intel® Comet Lake-S H410 Chip
- 2* DDR4 2933/2666MHz up to 64GB
- Realtek HD Audio
- 1* Intel® i225-LM 2.5GbE, 1* Intel® i219-LM GbE
- 4* SATA III (6Gb/s), 1* M.2 (M key) , 1* PCI-E x16,
- 1* PCI-Ex4, 5* PCI slots
- 2* RS232/422/485 (COM1/2), 4* RS232, 4* USB3.2, 5* USB2.0
- Support VGA / HDMI Output
- ATX Power Input
- ATX Form Factor

Photo



Mechanical Dimension (mm)



Specification

Processor/Chipset	Intel LGA1200 Socket 10th/11th Processor with H410 chipset	Rear I/O Port	1* VGA, 1* HDMI, 2* RJ45, 4* USB3.2 (Gen.1), 2* USB2.0, Line-in, Line-out, MIC, 2* RS232/422/485, 1* PS/2
Memory	2* Long DIMM DDR4 2933/2666MHz SDRAM up to 64GB	Internal I/O Port	2* USB 2.0, 1* USB2.0 (Erect), 4* RS232, 4* SATAIII (6.0Gb/s , SATA4 Co-lay M.2 M key), 1* Parallel (Co-lay GPIO), 1* 16bit GPIO (Co-lay Parallel), 1* Audio header, 1* SMBUS/I2C, 1* AT mode, 1* TPM2.0 (option)
Ethernet	1* Intel i225-LM 2.5GbE 1* Intel i219-LM GbE	WDT	0~255 Sec./Min. programmable
Graphic	1* HDMI 1.4 up to 4096×2160@24Hz 1* VGA up to 1920x1080@60Hz	Power	ATX power input
Storage	4* SATAIII (6Gb/s, SATA4 Co-lay M-key) 1* M.2 M-key 2242/2280 (SATA interface, Co-lay SATA4)	Temperature	Operating: 0~60°C with 0.7 m/s air flow Storage: -20~85°C
Expansion Slot	1* PCIe x16 1* PCIe x4 5* PCI slot	Dimension	305 * 244mm (12" * 10")

*The Specification may be changed without further notice.
www.jetwayipc.com

JLA20-10 Series



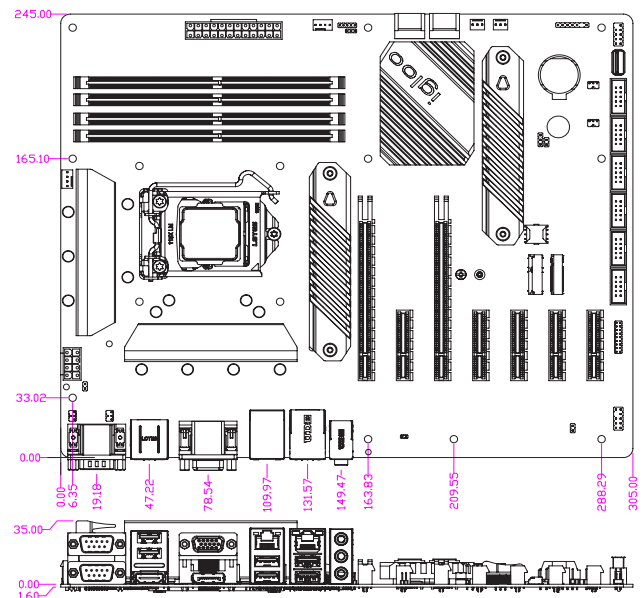
Features

- Intel® LGA1200 Socket support Gen. 10/11th Processor (Max 125W)
- Intel® Comet Lake-S Q470E chipset
- 4* DDR4 3200/2933MHz up to 128GB
- 1* Intel® i225-V 2.5GbE, 1* Intel® i219-LM GbE
- 2* M.2 M Key (NVMe), 1* M.2 E Key (CNVi), 1* M.2 B Key
- 4* SATA III (6Gb/s), support Raid 0/1/5/10
- 1* VGA, 1* HDMI, 1* DP
- 2* RS232/422/485, 4* RS232, 4* USB3.2 (Gen.2), 1* USB3.2 (Gen.1), 6* USB2.0
- 2* PCI-E x16, 5* PCI-E x4 Slots
- JLA20-12 support TPM2.0 (option)
- 24 + 8 Pin ATX Power Input
- ATX Form Factor

Photo



Mechanical Dimension (mm)



Specification

Processor/Chipset	Intel LGA1200 Socket 10th/11th Processor with Q470E chipset	Rear I/O Port	2* RS232/422/485, 4* USB3.2 (Gen.2),
Memory	4* Long DIMM DDR4 3200/2933MHz SDRAM up to 128GB		2* USB2.0, 1* VGA, 1* HDMI, 1* DP,
Ethernet	1* Intel® i219-LM GbE		2* RJ45, Line-in, Line-out, MIC
Graphic	1* Intel® i225-V 2.5GbE	Internal I/O Port	4* USB2.0, 1* USB3.2 (Erect), 4* RS232,
	1* HDMI 1.4 up to 4096×2160@24Hz		1* 16bit GPIO, 1* PS/2, 1* SIM card slot,
	1* DP1.4 up to 4096×2304@60Hz		1* SMBUS/I2C, 1* AT mode
Storage	4* SATAIII (6Gb/s, Support RAID 0/1/5/10)		
	2* M.2 M-key (2242/2280) support NVMe (M2M1 only 11th CPU)	WDT	0~255 Sec./Min. programmable
Expansion Slot	1* M.2 B-key 3042/3052 (USB3.2/PCIe x1 interface)	Power	ATX power input
	1* M.2 E-key 2230 (USB2.0 interface) Support CNVi	Temperature	Operating: 0~60°C with 0.7 m/s air flow
	2* PCIe x16, 5* PCIe x4 (PCIe4 is PCIe x1 interface)		Storage: -20~85°C
		Dimension	305 * 244mm (12" * 10")

*The Specification may be changed without further notice.
www.jetwayipc.com

JNAF791-Q370 Series

intel FC CE RoHS
COMPLIANT

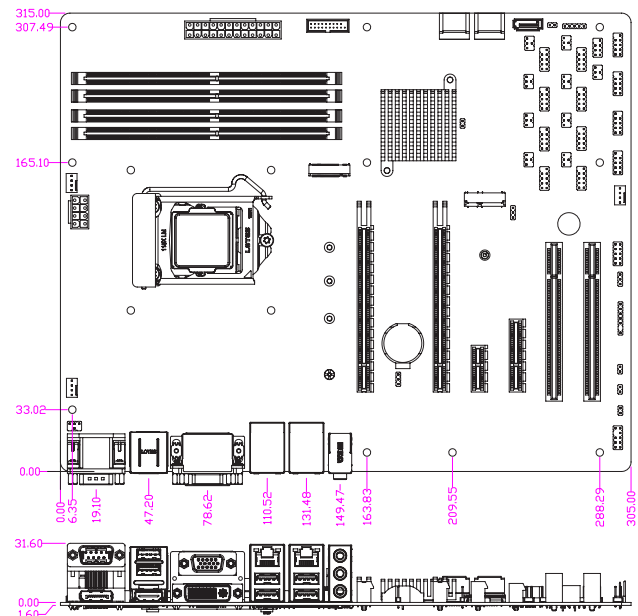
Features

- Intel® LGA1151 Socket support Gen. 8th/9th Processor (Max. 95W TDP)
- 4* DDR4 2666MHz up to 128GB
- 2* 10/100/1000 Base-TX Ethernet Ports
- 1* HDMI, 1* DP, 1* VGA, 1* DVI-D
- 10* COM (COM1/2 support RS232/422/485), 4* USB3.1 Gen.2, 4* USB3.1 Gen.1 & 4* USB2.0
- 2* PCIe16 slot, 1* PCIe4 slot, 1* PCIe1 slot, 2* PCI slot, 1* M.2 M-key 2242/2260/2280/22110 (PCIe4/SATA interface) support NVMe, 1* M.2 E-key 2230
- 5* SATAIII (6Gb/s) support RAID 0/1/5/10
- Support TPM2.0 (option)

Photo



Mechanical Dimension (mm)



Specification

Processor/Chipset	Intel LGA1151 Socket 8th/9th Processor with Q370 chipset	Rear I/O Port	1* VGA, 1* DP, 1* HDMI, 1* DVI-D,
Memory	4* Long DIMM DDR4 2400/2666MHz SDRAM up to 64GB		2* GbE, 4* USB3.1(Gen. 2), 2* USB3.1 (Gen. 1), 1* RS232/422/485, Line-out, Line-in, MIC
Ethernet	1* Intel i211AT GbE 1* Intel i219LM GbE	Internal I/O Port	2* USB3.1(Gen. 1), 4* USB2.0, 1* GPIO,
Graphic	1* HDMI 1.4 up to 4096x2160@30Hz, 1* DP 1.2 up to 4096x2304@60Hz, 1* DVI-D up to 1920x1200@60Hz, 1* VGA up to 1920x1080@60Hz		1* RS232/422/485, 8* RS232, 1* PS/2, 1* Audio header, 1* TPM2.0 (option)
Storage	5* SATAIII (6Gb/s) support RAID 0/1/5/10 1* M.2 M-Key 2242/2260/2280/22110 (PCIe x4/SATA interface) support NVMe	WDT	0~255 Sec./Min. programmable
Expansion Slot	2* PCI, 1* PCIe x1, 1* PCIe x4, 2* PCIe x16 1* M.2 E-key (2230)	Power	ATX power input
		Temperature	Operating: 0~60°C with 0.7 m/s air flow Storage: -20~85°C
		Dimension	305 * 244mm (12" * 10")

*The Specification may be changed without further notice.
www.jetwayipc.com

JNAF791-C246



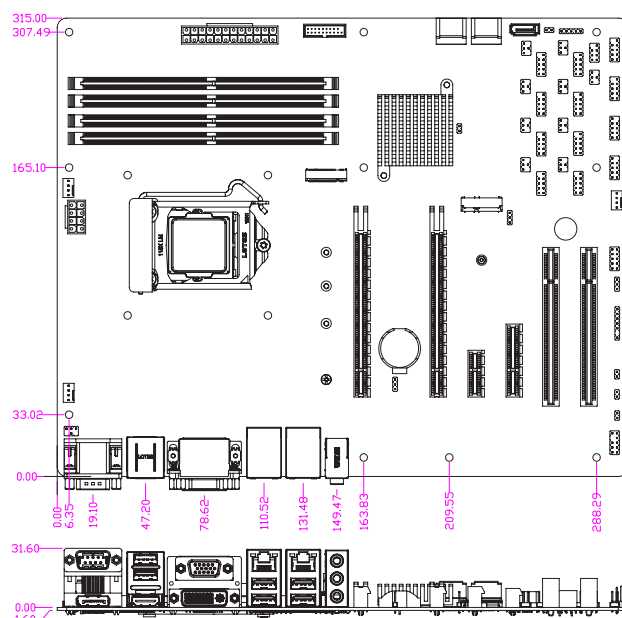
Features

- Intel® LGA1151 Socket support Gen. 8th/9th Processor (Max. 95W TDP)
- 4* DDR4 2666MHz up to 128GB support ECC
- 2* 10/100/1000 Base-TX Ethernet Ports
- 1* HDMI, 1* DP, 1* VGA, 1* DVI-D
- 10* COM (COM1/2 support RS232/422/485), 4* USB3.1 Gen.2, 4* USB3.1 Gen.1 & 4* USB2.0
- 2* PCIe16 slot, 1* PCIe4 slot, 1* PCIe1 slot, 2* PCI slot, 1* M.2 M-key 2242/2260/2280/22110 (PCIe4/SATA interface) support NVMe, 1* M.2 E-key 2230
- 5* SATAIII (6Gb/s) support RAID 0/1/5/10
- Support TPM2.0 (option)

Photo



Mechanical Dimension (mm)



Specification

Processor/Chipset	Intel LGA1151 Socket 8th/9th Processor with C246 chipset	Rear I/O Port	1* VGA, 1* DP, 1* HDMI, 1* DVI-D, 2* GbE, 4* USB3.1(Gen. 2), 2* USB3.1 (Gen. 1), 1* RS232/422/485, Line-out, Line-in, MIC
Memory	4* Long DIMM DDR4 2400/2666MHz SDRAM up to 64GB support ECC	Internal I/O Port	2* USB3.1(Gen. 1), 4* USB2.0, 1* GPIO, 1* RS232/422/485, 8* RS232, 1* PS/2, 1* Audio header, 1* TPM2.0 (option)
Ethernet	1* Intel i210AT GbE 1* Intel i219LM GbE	WDT	0~255 Sec./Min. programmable
Graphic	1* HDMI 1.4 up to 4096x2160@30Hz, 1* DP 1.2 up to 4096x2304@60Hz, 1* DVI-D up to 1920x1200@60Hz, 1* VGA up to 1920x1080@60Hz	Power	ATX power input
Storage	5* SATAIII (6Gb/s) support RAID 0/1/5/10 1* M.2 M-Key 2242/2260/2280/22110 (PCIe x4/SATA interface) support NVMe	Temperature	Operating: 0~60°C with 0.7 m/s air flow Storage: -20~85°C
Expansion Slot	2* PCI, 1* PCIe x1, 1* PCIe x4, 2* PCIe x16	Dimension	305 * 244mm (12" * 10")

*The Specification may be changed without further notice.
www.jetwayipc.com

JLA1Q-10

intel FC CE RoHS
COMPLIANT

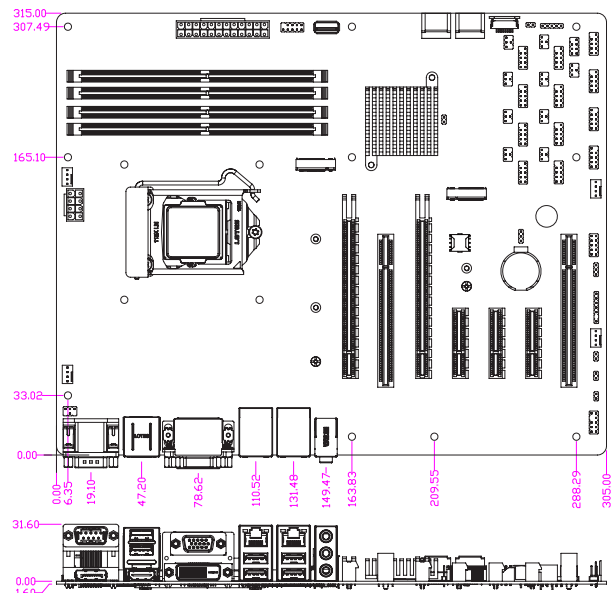
Features

- Intel® LGA1151 Socket support Gen. 8th/9th Processor (Max 125W)
- Intel® Coffee Lake-S Q370 Chip
- 4* DDR4 2666/2400/2133MHz up to 128GB
- 1* Intel® I219LM GbE, 1* Intel® i211AT GbE, 1* M.2 B-key Support 3G/4G Module
- 4* SATA III (6Gb/s), 1* M.2 (M-key), 2* PCIe x16, 3* PCIe x4, 2* PCI
- 1* VGA, 1* DVI-D, 1* HDMI, 1* DP, support triple displays
- 2* RS232/422/485 (COM1/2), 4*RS232
- 6* USB3.1 (Gen.1), 2* USB3.0, 7* USB2.0
- ATX Power Input
- ATX Form Factor

Photo



Mechanical Dimension (mm)



Specification

Processor/Chipset	Intel LGA1151 Socket 8th/9th Processor with Q370 chipset	Rear I/O Port	1* VGA, 1* DVI-D, 1* HDMI, 1* DP, 2* RJ45,
Memory	4* Long DIMM DDR4 2400/2666MHz SDRAM up to 64GB		6* USB 3.1 (Gen.1), Line-in, Line-out, MIC, 1* RS232/422/485
Ethernet	1* Intel i211AT GbE	Internal I/O Port	USB2.0, 1* USB2.0 (Erect), 1* PS/2,
Graphic	1* Intel i219LM GbE		1* RS232/422/485, 4* RS232, 4* SATAIII, 1* 8bit GPIO, 1* Audio header, 1* SMBUS/I2C, 1* AT mode, 1* TPM2.0 (option)
Storage	4* SATAIII (6Gb/s) support RAID 0/1/5/10	WDT	0~255 Sec./Min. programmable
	1* M.2 M-Key 2242/2280/22110 (PCIe x4/SATA interface) support NVMe	Power	ATX power input
Expansion Slot	1* M.2 B-key (3042/3052) w/Nano SIM card slot, 2* PCIe x16, 3* PCIe x4, 2* PCI	Temperature	Operating: 0~60°C with 0.7 m/s air flow Storage: -20~85°C
		Dimension	305 * 244mm (12" * 10")

*The Specification may be changed without further notice.
www.jetwayipc.com

JNC9L-AH110



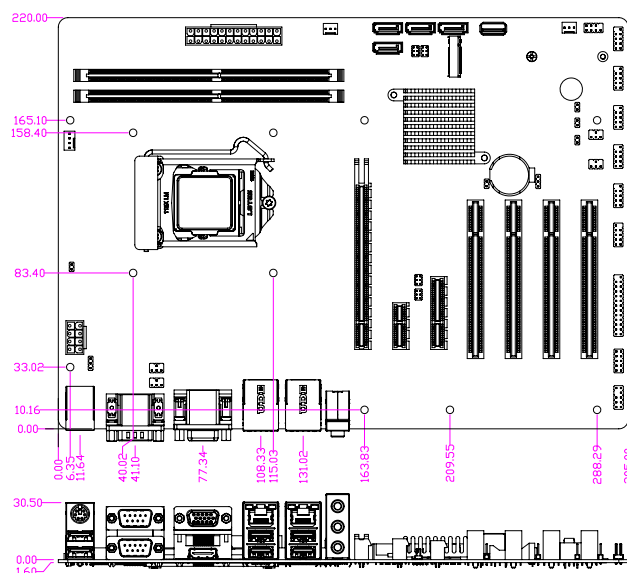
Features

- Intel® LGA1151 Socket support Gen. 6th/7th Processor
- 4* DDR4 2133MHz up to 64GB
- 1* Intel® I219LM GbE, 1* Intel® i211AT GbE
- Support HDMI/VGA, 2* External COM, 4* Internal COM (COM1 support RS232/422/485, COM1/2/3/4 Support 5V/12V TTL)
- 4* USB3.0, 5* USB2.0 (internal USB2 Support Dongle)
- 1* PCIe x16 Slot, 1* PCIe x4 Slot, 1* PCIe x1 Slot, 4* PCI Slots, 1* M.2 socket (Support SSD, 2242/2280)
- Support TPM2.0 (option)
- ATX Form Factor

Photo



Mechanical Dimension (mm)



Specification

Processor/Chipset	Intel LGA1151 Socket 6th/7th Processor with H110 chipset	Rear I/O Port	1* VGA, 1* HDMI, 2* RJ45, 4* USB 3.0, 2* USB 2.0, Line-out, Line-in, MIC, 1* RS232/422/485, 1* RS232, 1* PS/2
Memory	2* Long DIMM DDR4 2133MHz SDRAM up to 32GB	Internal I/O Port	3* USB2.0 ,4* RS232, 1* Parallel, 1* M.2 M-key 2242/2280, 1* GPIO, 1* Audio header
Ethernet	1* Intel i211AT GbE 1* Intel i219LM GbE		
Graphic	1* HDMI1.4 up to 4096×2304@24Hz 1* VGA up to 1920x1080@60Hz		
Storage	4* SATAIII (6Gb/s, SATA4 Co-lay M.2) 1* M.2 M-key (2242/2280)	WDT	0~255 Sec./Min. programmable
		Power	ATX power input
Expansion Slot	4* PCI, 1* PCIe x16, 1* PCIe x4, 1* PCIe x1	Temperature	Operating: 0~60°C with 0.7 m/s air flow Storage: -20~85°C
		Dimension	305 * 244mm (12" * 10")

*The Specification may be changed without further notice.
www.jetwayipc.com

JNAF591-Q170

intel FC CE RoHS
COMPLIANT

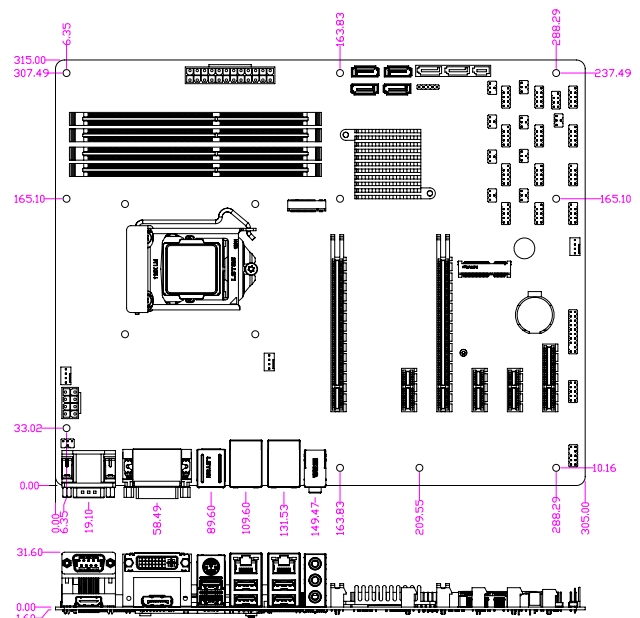
Features

- Intel® LGA1151 Socket support Gen. 6th/7th Processor with Q170 chipset
- 4* DDR4 2133MHz up to 64GB
- Support DP/HDMI/DVI-D, support Triple displays
- Support 1* PCIe x16, 1* PCIe x8, 1* PCIe x4, 3* PCIe x1, 1* Mini PCIe
- Support 6* USB 3.0, 4* USB 2.0, 10* COM
- ATX Form Factor

Photo



Mechanical Dimension (mm)



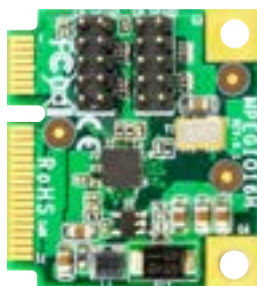
Specification

Processor/Chipset	Intel LGA1151 Socket 6th/7th Processor with Q170 chipset	Rear I/O Port	1* DP, 1* HDMI, 1* DVI-D, 2* RJ45,
Memory	4* Long DIMM DDR4 2133MHz SDRAM up to 64GB		6* USB3.0, 1* RS232/422/485, 1* PS/2,
			Line-out, Line-in, MIC
Ethernet	1* Intel i211AT GbE	Internal I/O Port	4* USB2.0, 1* RS232/422/485, 8* RS232,
	1* Intel i219LM GbE		1* 8bit GPIO, 1* Audio header, 1* TPM
Graphic	1* HDMI1.4 up to 4096×2304@24Hz		header
	1* DP up to 3840x2160@60Hz		
	1* DVI-D up to 1920x1200@60Hz		
Storage	4* SATAIII (6Gb/s) , 1* M.2 M-key	WDT	0~255 Sec./Min. programmable
	2242/2260/2280/22110 (SATA/PCIe x4 interface,	Power	ATX power input
	shared with SATA1)	Temperature	Operating: 0~60°C with 0.7 m/s air flow
Expansion Slot	1* PCIe x16, 1* PCIe x8 (share with PCIe x16),		Storage: -20~85°C
	1* PCIe x4, 3* PCIe x1, 1* Mini PCIe (full size)		
		Dimension	305 * 244mm (12" * 10")

*The Specification may be changed without further notice.
www.jetwayipc.com

COM**USB**

Model	JADMPEFT4CA	JADMPEASU3A
Size	30 x 50.95mm	30 x 50.95mm
Chipset	FINTEK serial port controller	AsMedia ASM1042 USB host controller
Interface	Mini PCIe	Mini PCIe
Connectors	4x 9-pin header	1x 19-pin header
Features	1. 2* RS232 2. 2* RS232/RS422/RS485 3. Asynchronous baud rates up to 1.5Mbps	1. Compliant with USB3.0 specification revision 1.0 2. Compliant with USB specification revision 2.0

GPIO

Model	JADMPEGIO16H
Size	30.0 x 26.8mm
Chipset	FINTEK F75114N
Interface	Mini PCIe (USB signal)
Connectors	Mini PCIe slot (half size)
Features	1. Mini-PCIe half size USB GPIO Interface 2. Support 16-bits GPIO

LAN



LAN



Model	JADMPEIDLB	JADMPEISLB
Size	30 x 50.95mm	30 x 50.95mm
Chipset	Intel i350AM2 GbE	Intel I210-AT GbE
Interface	Mini PCIe	Mini PCIe
Connectors	2x 9-pin header	1x 15-pin header
Features	1. Compliant with the 1Gb/s IEEE802.3, 802.3u, 802.3ab 2. Support full duplex operation at 10/100/1000 Mb/s 3. Half duplex at 10/100 Mb/s 4. Support Wake on LAN function (Mini PCI-E slot provides + 3VSB power supported) 5. PCIe GEN1(2.5GT/s) , GEN2(5GT/s) 6. Support 2* GbE	1. Compliant with the 1Gb/s IEEE802.3,802.3u,802.3ab specifications 2. Support Full duplex operation at 10/100/1000 Mb/s 3. Half duplex at 10/100 Mb/s 4. Support Wake on LAN function (Mini PCI-E slot provides + 3VSB power supported) 5. Support 1* GbE

LAN

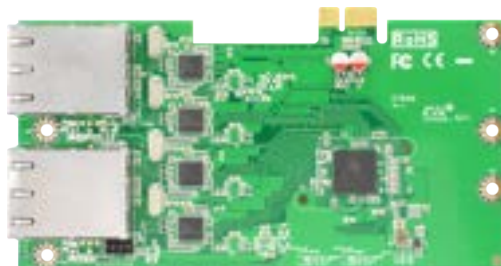


LAN



Model	<i>JETC4G</i>	<i>JETC4B</i>
Size	170 x 81.9mm	170 x 81.9mm
Chipset	Intel i211-AT GbE	Intel i211AT GbE
Interface	PCIe x4, 2.0 (5GT/s) rate	PCIe x4, 2.0 (5GT/s) rate
Connectors	4x RJ45	4x RJ45
Features	1. 4* Intel GbE 2. Support Wake on LAN S1/S3/S4/S5 mode Suitable M/B: JNF592-Q170 / JNF697-Q170 / JNF797V-Q370 / MI23-Q6700 Series / MI23-R6800 Series	1. 4* Intel GbE 2. LAN1/LAN2 & LAN3/LAN4 supports 2 pairs of Bypass LAN function 3. Support Wake on LAN S1/S3/S4/S5 mode Suitable M/B: JNF592-Q170 / JNF697-Q170 / JNF797V-Q370 / MI23-Q6700 Series / MI23-R6800 Series

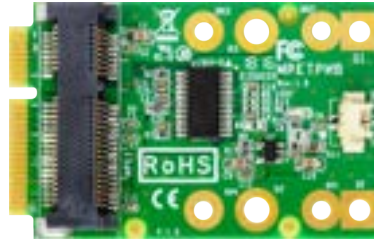
LAN



LAN



Model	<i>JETB4GS</i>	<i>JETB4BS</i>
Size	170 x 91.8mm	170 x 91.8mm
Chipset	Intel i211AT GbE Asmedia 1806 PCIe switch	Intel i211AT GbE Asmedia 1806 PCIe switch
Interface	PCIe x1, 2.0 (5GT/s) rate	PCIe x1, 2.0 (5GT/s) rate
Connectors	4x RJ45	4x RJ45
Features	1. 4* Intel GbE 2. Support Wake on LAN S1/S3/S4/S5 mode Suitable M/B: JNF692S6 Series / JNF9HG-2930 / JNF9HB-2930 / MI05K Series	1. 4* Intel GbE 2. LAN1/LAN2 & LAN3/LAN4 supports 2 pairs of Bypass LAN function 3. Support Wake on LAN S1/S3/S4/S5 mode Suitable M/B: JNF692S6 Series / JNF9HG-2930 / JNF9HB-2930 / MI05K Series

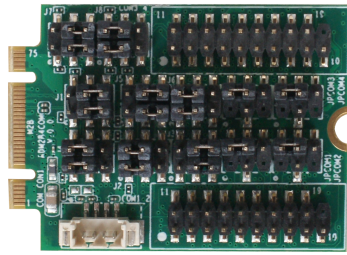
TPM

Model	JADMPETPMB2
Size	30 x 50.95mm
Chipset	Nuvoton NPCT650AAAWX TPM V2.0
Interface	LPC signal via Mini PCIe interface
Connectors	Mini PCIe slot
Features	<ol style="list-style-type: none"> 1. Comply with TPM v2.0 standard 2. Support PC standby mode

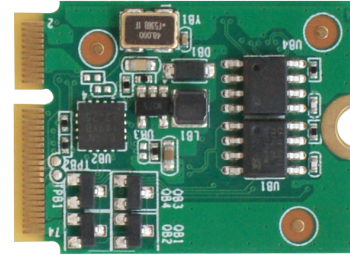
SIM Card

Model	JADMPESIMB
Size	30 x 50.95mm
Chipset	N/A
Interface	Mini PCIe
Connectors	Mini PCIe slot
Features	<ol style="list-style-type: none"> 1. Mini PCIe Type SIM card 2. Standard full size Mini PCI-E card can be installed above the ADMPESIMB card

M.2 B-key COM Card

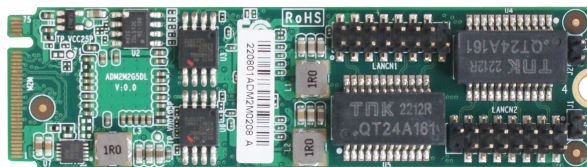


M.2 E-key CAN Card



Model	ADM2B4COM	ADM2ECAN
Size	30 x 42mm (M.2 B key)	22 x 30mm (M.2 E key)
Chipset	FINTEK F81504U	FINTEK F81604N
Interface	M.2 B key COM Card	M.2 E key CAN Card
Connectors	4x COM (COM1/2/3/4: RS232/422/485)	2x CAN
Features	<ol style="list-style-type: none"> 1. FINTEK F81504U 2. FINTEK F81439AN 3. Support 5V/12V TTL 4. M.2 B key 3042 size 	<ol style="list-style-type: none"> 1. FINTEK F81604N 2. FINTEK F81251S 3. Support 2* CAN 4. Support optical isolation $\pm 58V$ 5. Industrial Temperature ($-30^{\circ}C$ to $+80^{\circ}C$) 6. Compliant with EN61000-4-2 (ESD) Air-15kV, Contact-8kV 7. M.2 E key 2230 size

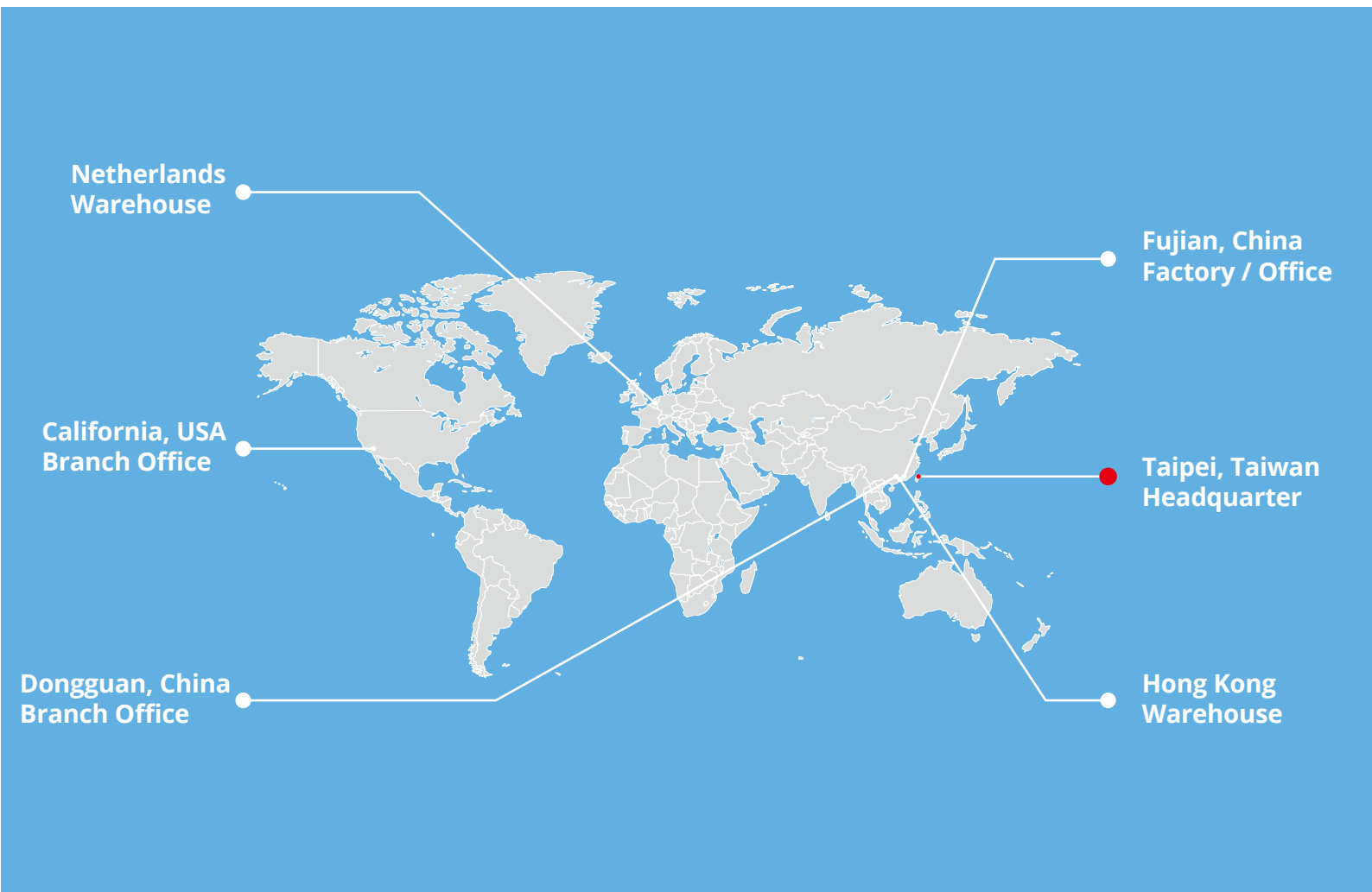
M.2 M-key LAN Card



Model	ADM2M2G5DL
Size	22 x 80mm (M.2 M key)
Chipset	ASMEDIA ASM1806
Interface	M.2 M key 2.5G Dual LAN Card
Connectors	2x LAN (10/100/1000/2500 Mbps)
Features	<ol style="list-style-type: none"> 1. ASMEDIA ASM1806 2. 2* INTEL® I225-V



捷波資訊股份有限公司
JETWAY INFORMATION CO., LTD.



Taiwan (Taipei)

9F., No. 207, Sec. 3, Beixin Rd.,
Xindian Dist., New Taipei City, 23143,
Taiwan (R.O.C)
Tel: +886-2-89132711
Fax: +886-2-89132722

China (Dongguan)

No. 605, 8th Commercial Office Building,
Vanke Center, Changqing South Road,
Changan, Dongguan City, 523850, China
Tel: +86-769-2101-8010
Mobile : +86-138-2880-2876

Factory (Fujian)

North Industrial Park, Changshan Economic
Development Zone, Yunxiao County,
Zhangzhou, Fujian Provice 363307, China
Tel: +86-596-8625168

All brand names and products are registered trademarks of their respective companies.



Z-A130-F

